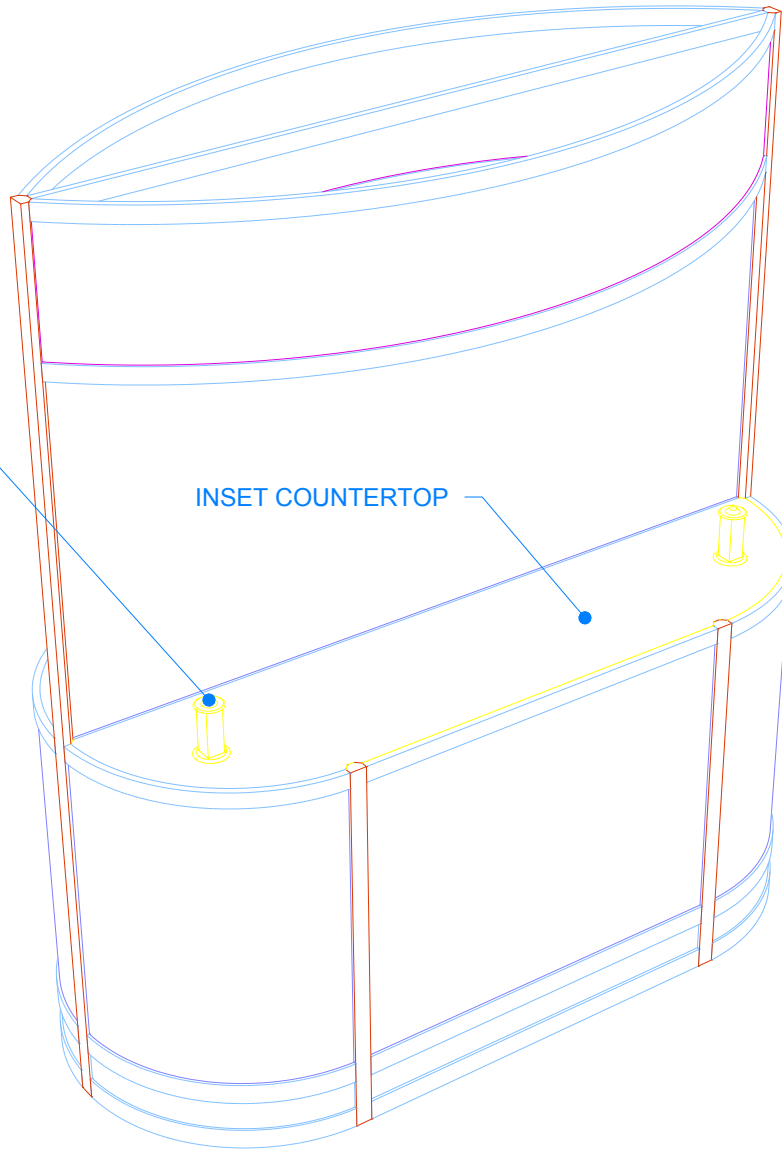


POP-UP POWERSTRIP
ASSEMBLY

INSET COUNTERTOP



PERSPECTIVE

F R E E M A N

PROJECT CHARGING STATION DOUBLE SIDED
BOOTH #

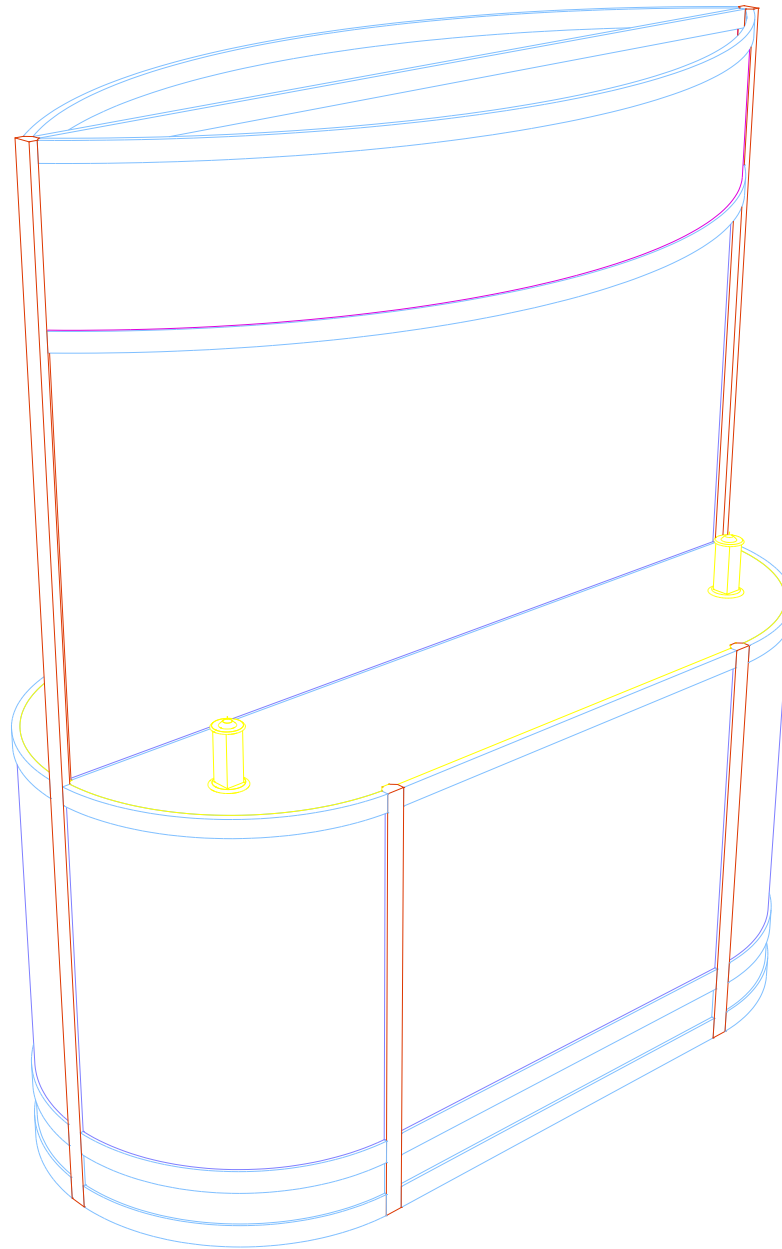
SHOW NAME AM HEART ASSN - SCIENTIFIC SESSIONS
SHOW DATE 11/13/2016 through 11/16/2016
SHOW LOCATION MORIAL CONVENTION CENTER

SALES CONTACT Jennifer Johnson
JOB NUMBER 427184
LINE ITEM NUMBER 2862264

CREATED BY Yader Jiron

CREATION DATE 7/18/2016
REVISED 7/18/2016
PRODUCING BRANCH New Orleans

FILE NAME P:/Orlando/Branch/SERDC/_New Orleans/2016/AM HEART ASSN SCIENTIFIC SESSIONS - 427184/AHA16 Double Charging Station 2862264 DESBW.dwg



PERSPECTIVE

F R E E M A N

PROJECT CHARGING STATION DOUBLE SIDED
BOOTH #

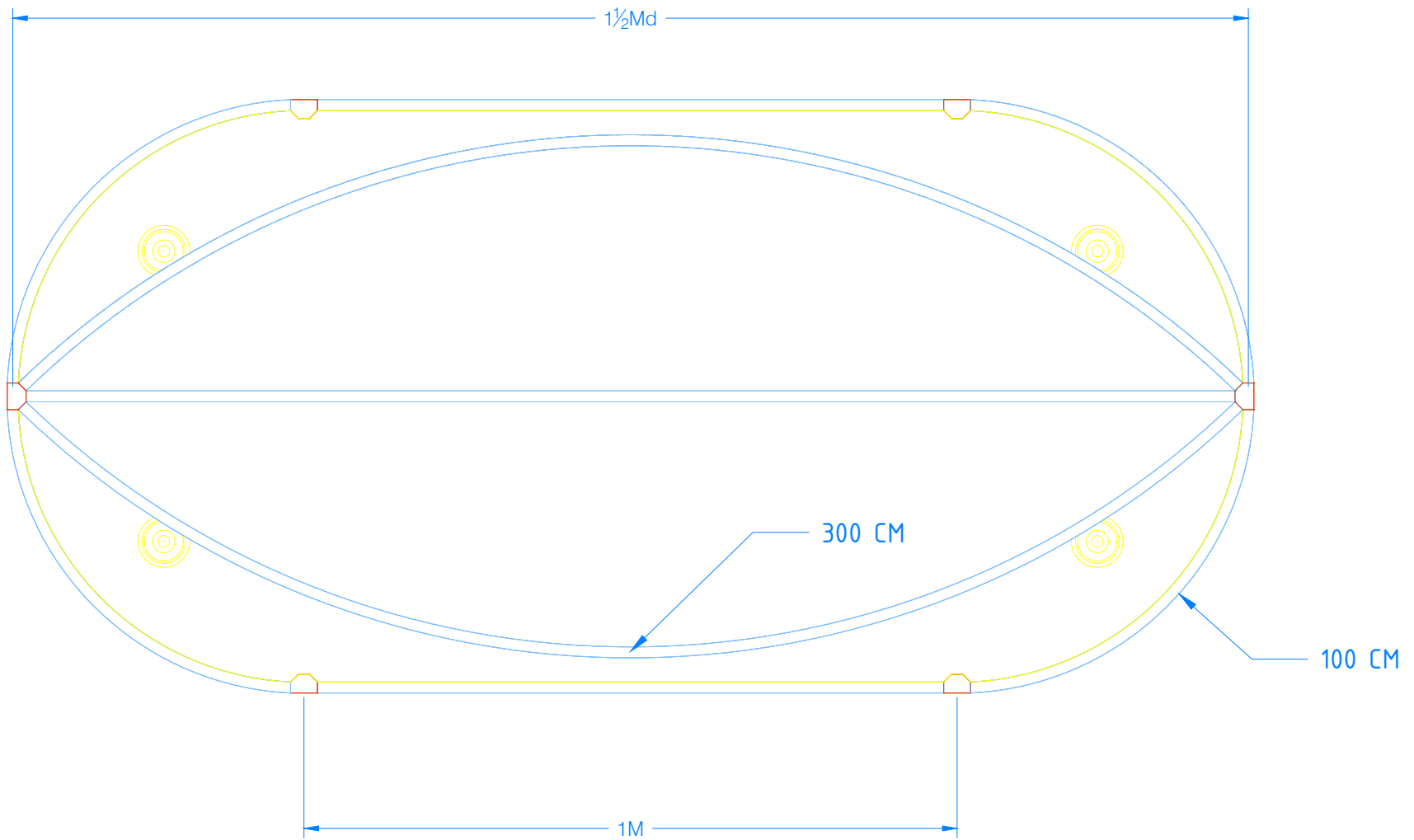
SHOW NAME AM HEART ASSN - SCIENTIFIC SESSIONS
SHOW DATE 11/13/2016 through 11/16/2016
SHOW LOCATION MORIAL CONVENTION CENTER

SALES CONTACT Jennifer Johnson
JOB NUMBER 427184
LINE ITEM NUMBER 2862264

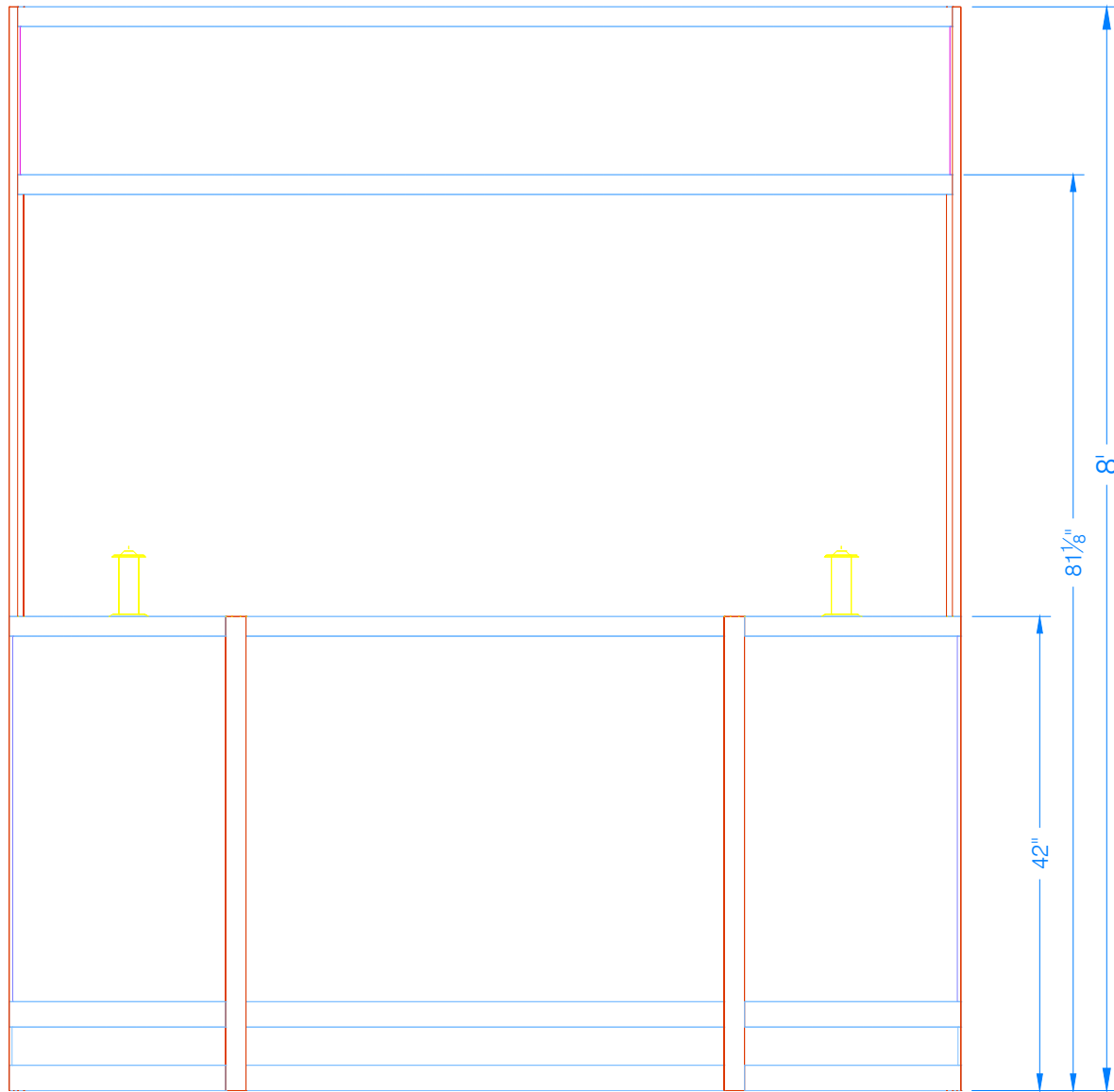
CREATED BY Yader Jiron

CREATION DATE 7/18/2016
REVISED 7/18/2016
PRODUCING BRANCH New Orleans

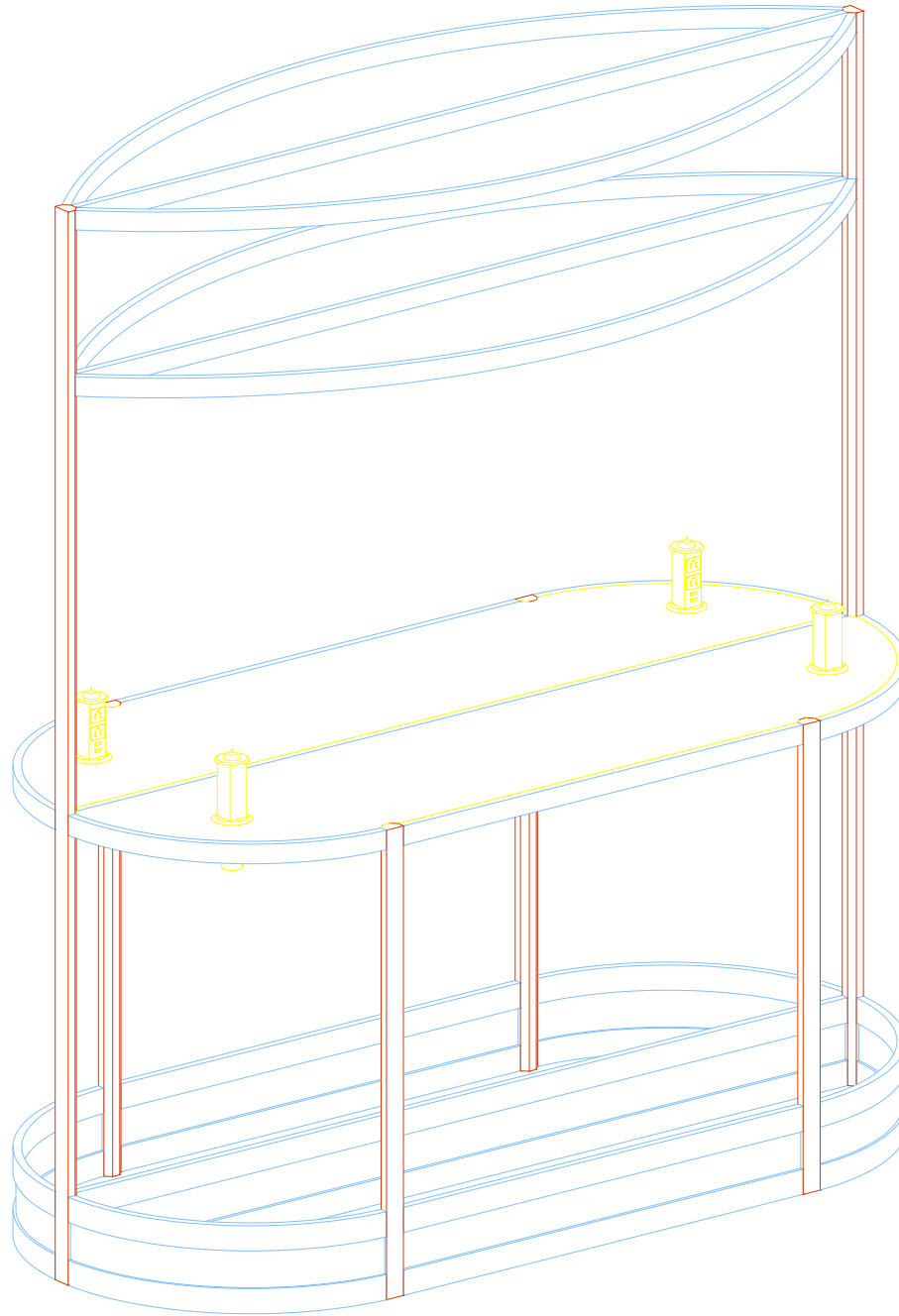
FILE NAME P:/Orlando/Branch/SERDC/_New Orleans/2016/AM HEART ASSN SCIENTIFIC SESSIONS - 427184/AHA16 Double Charging Station 2862264 DESBW.dwg



PLAN



ELEVATION



STRUCTURAL

Not for Production

| I.D. | Qty | Type | Size | Area (SqFt) | Part Number | Description | Material | Color | Notes |
|------|-----|--------------|-------------------|-------------|-------------|-------------------------------|----------|--------|-------------------|
| | 4 | P50 | 42" | | | 3'-6" (42") | Aluminum | Silver | |
| | 2 | P50 | 96" | | | 8'-0" | Aluminum | Silver | |
| | 2 | H45 | 42-3/8" | | | 42-3/8" | Aluminum | Silver | |
| | 3 | H45 | 81-3/4" | | | 1-1/2MD | Aluminum | Silver | |
| | 2 | H200 | 42-3/8" | | | 42-3/8" | Aluminum | Silver | |
| | 1 | H200 | 81-3/4" | | | 1-1/2MD | Aluminum | Silver | |
| | 8 | CH45 | 29-1/8" | | | 100cm | Aluminum | Silver | |
| | 8 | CH45 | 91-1/4" | | | 300cm | Aluminum | Silver | |
| | 8 | CH200 | 29-1/8" | | | 100cm | Aluminum | Silver | |
| A | 8 | Wall Panel | 29-5/8" x 33" | 4.4 | | 100cm x 3'-6" (CH45/CH200) | PVC | White | |
| B | 2 | Wall Panel | 42-7/8" x 33" | 9.9 | | 3'-6-3/8" x 3'-6" (H45/H200) | PVC | White | |
| C | 1 | Wall Panel | 82-1/4" x 33" | 18.9 | | 1-1/2MD x 3'-6" (H45/H200) | PVC | White | |
| D | 1 | Wall Panel | 91-3/4" x 13-5/8" | 5.5 | | 300cm x 1'-4-5/8" (CH45/CH45) | PVC | White | |
| E | 1 | Wall Panel | 82-1/4" x 37-7/8" | 21.6 | | 1-1/2MD x 3'-4-7/8" (H45/H45) | PVC | White | |
| F | 3 | Header Panel | 91-3/4" x 13-5/8" | 5.5 | | 300cm x 1'-4-5/8" (CH45/CH45) | PVC | White | |
| | 4 | Counter Top | 82" x 3/4"H | 0 | | Inset Shelf (Interior) | Wood | White | |
| | 8 | Accessories | Standard | | | Power Station Pop-Up Outlet | -- | -- | OUTWATER PDS_96US |

PARTS LIST

The text, graphics, designs, logos, data compilations and information ("Content") contained in this Proposal are owned or controlled by Freeman and are protected by United States and international copyright and trade secret laws. Modification or reproduction of the Content for any purpose is strictly prohibited.