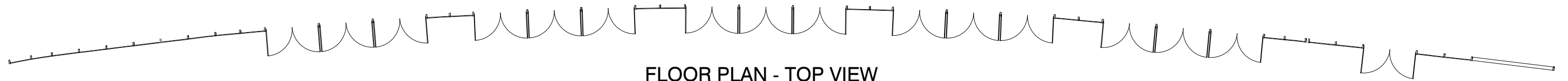
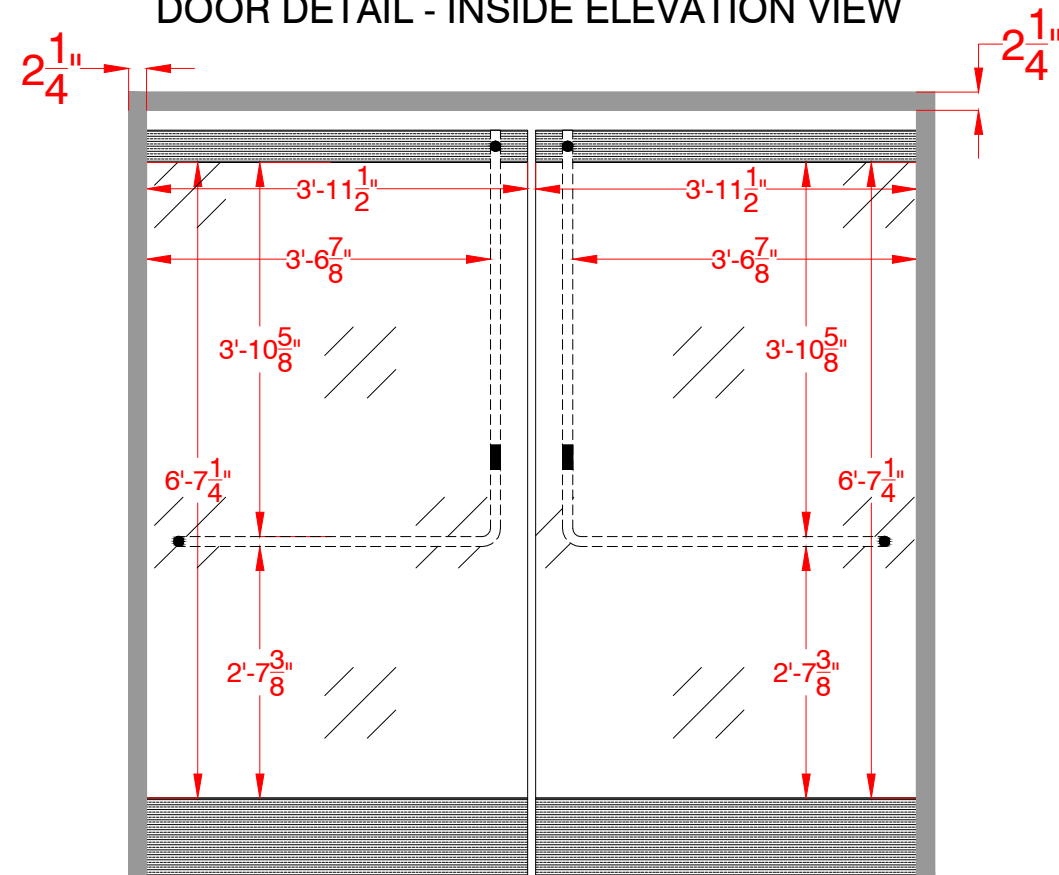


OUTSIDE ELEVATION VIEW

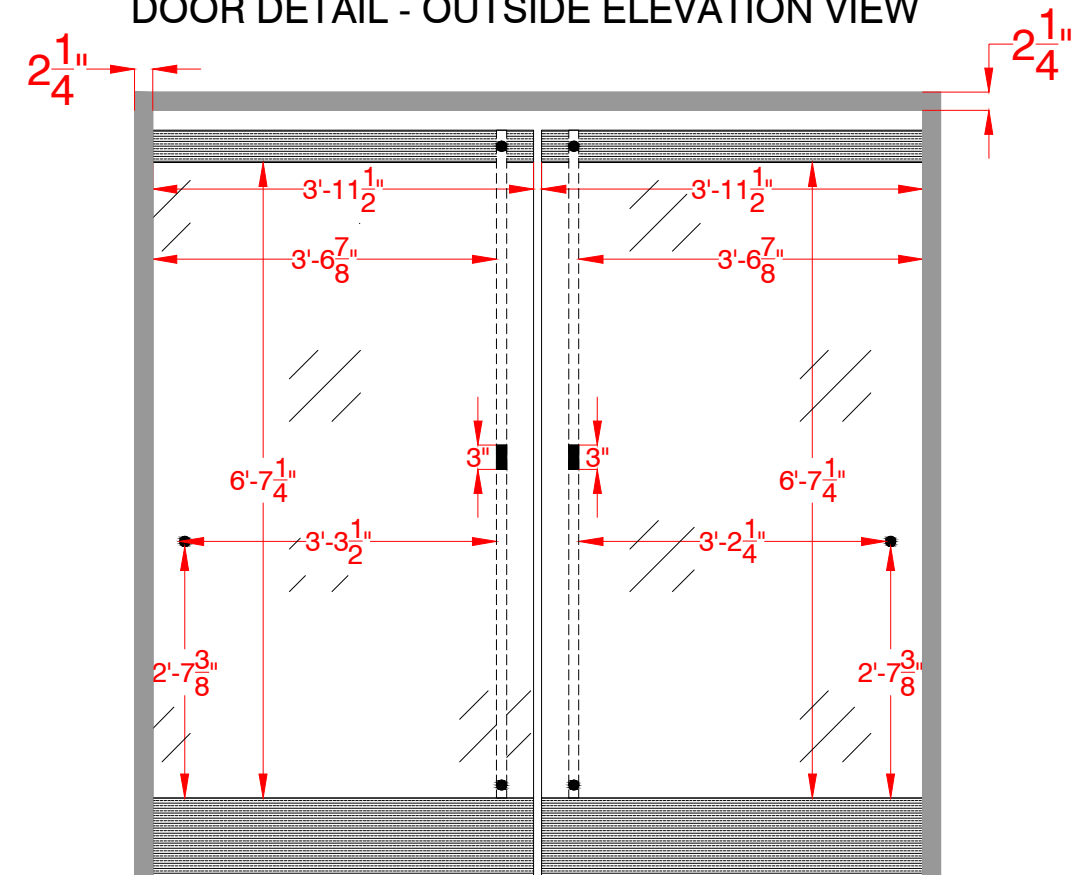


FLOOR PLAN - TOP VIEW

DOOR DETAIL - INSIDE ELEVATION VIEW

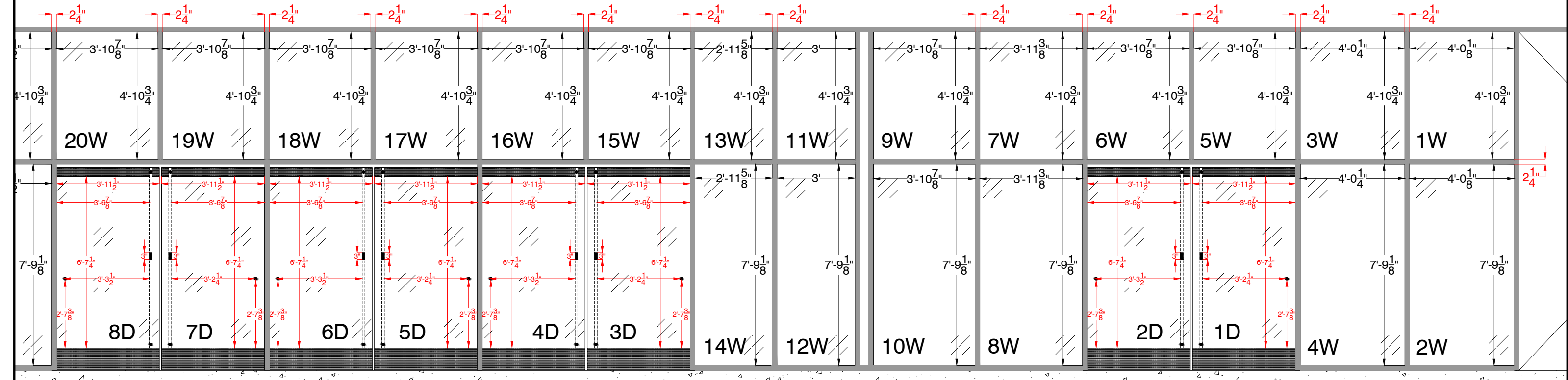


DOOR DETAIL - OUTSIDE ELEVATION VIEW



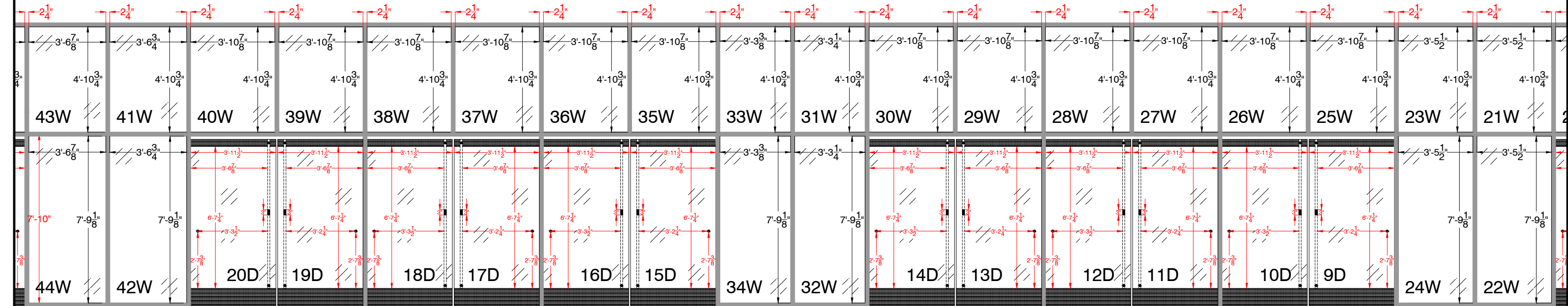
SECTION 1

OUTSIDE ELEVATION VIEW



SECTION 2

OUTSIDE ELEVATION VIEW



SECTION 3

OUTSIDE ELEVATION VIEW

