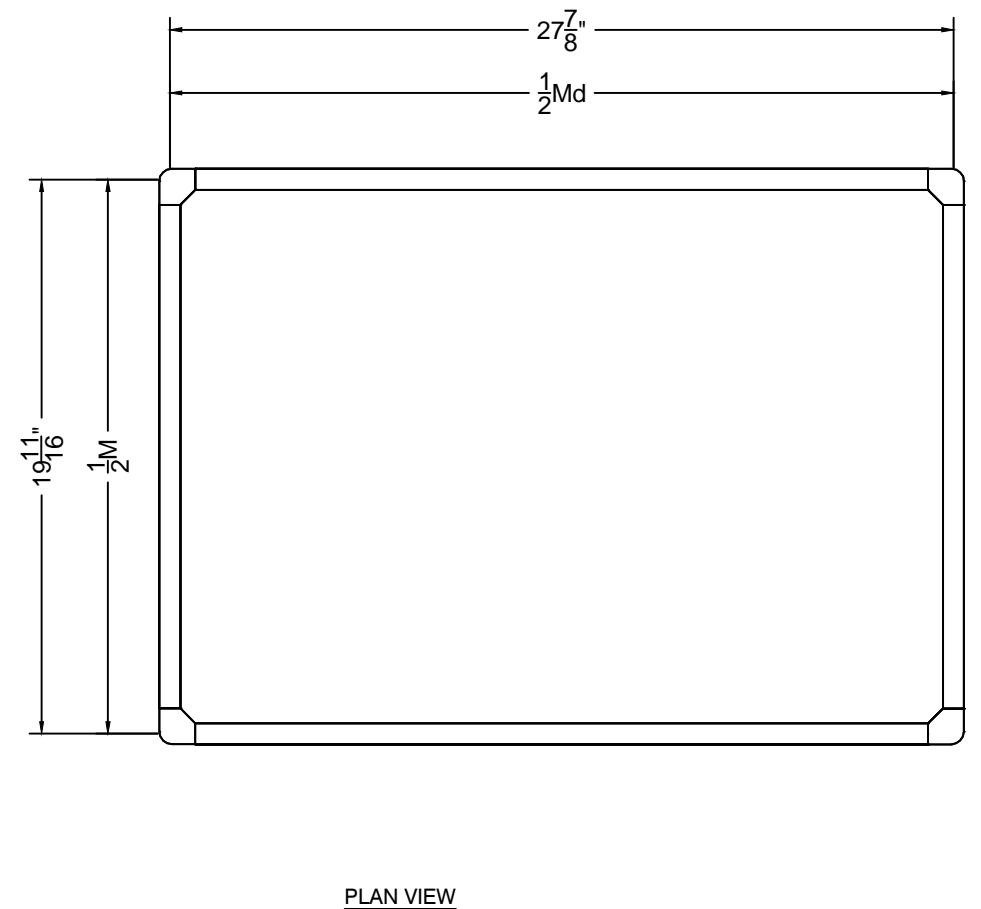
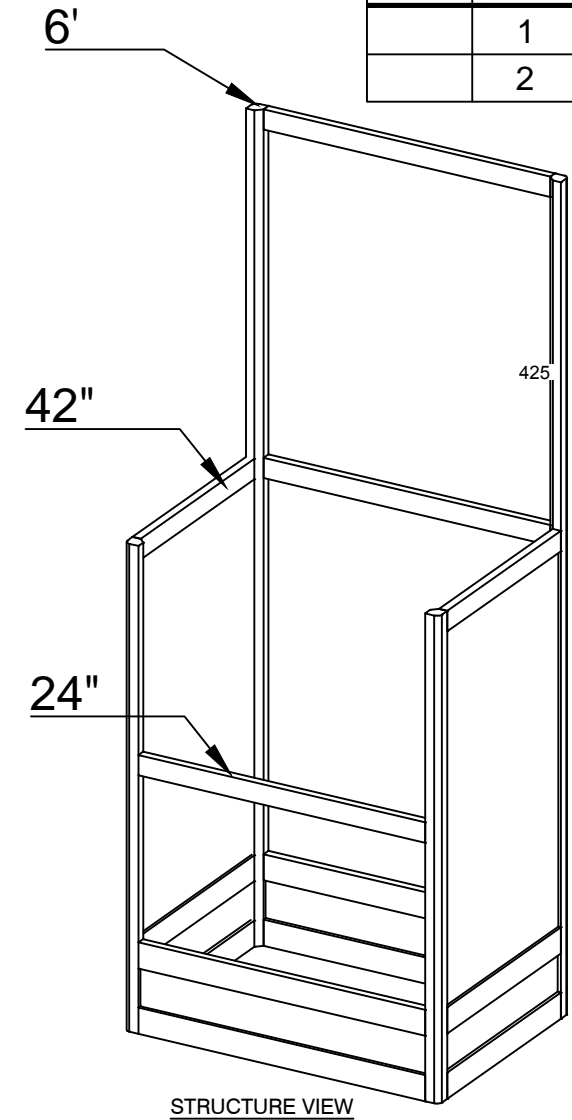
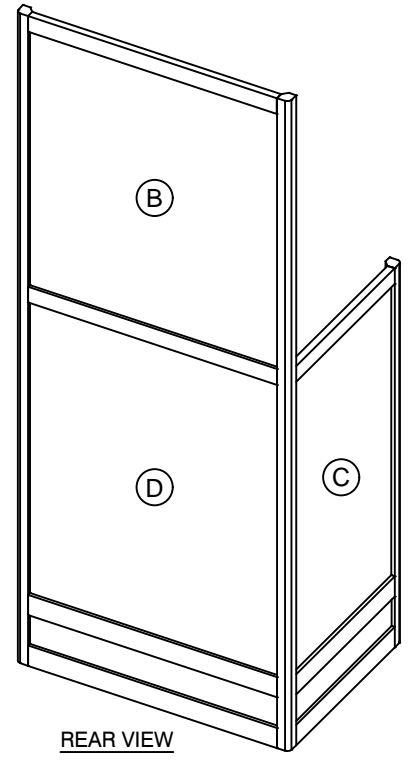


QTY: 10 Req'd

Daily Bin						
I.D.	Qty	Type	Size	Description	Material	Color
	2	P31	42"	3'-6" (42")	Aluminum	Silver
	2	P31	72"	6'-0"	Aluminum	Silver
	2	H45	17-7/8"	1/2M	Aluminum	Silver
	3	H45	26"	1/2Md	Aluminum	Silver
	2	H200	17-7/8"	1/2M	Aluminum	Silver
	2	H200	26"	1/2Md	Aluminum	Silver
A	1	Wall Panel	26-1/2" x 15"	1/2MD x 2'-0" Panel	PVC	Graphic
B	1	Wall Panel	26-1/2" x 28-3/4"	1/2MD x 28-3/4" Panel	PVC	Graphic
C	2	Wall Panel	18-3/8" x 33"	1/2M x 3'-6" Panel	PVC	Graphic
D	1	Wall Panel	26-1/2" x 33"	1/2MD x 3'-6" Panel	PVC	White
	1	Counter Top	1/2MD x 1/2M	Inset Rectangle	Wood	White
	1	Misc Part	1/2MD	1/2MD WJ Wide J-Bar	--	--
	2	Misc Part	Angle Bracket	90° Angle Bracket	--	--



LESS THAN 30 DAYS OUT

* 0 0 3 1 2 9 6 8 0 1 . 1 0 2 8 . 0 *

MORE THAN 30 DAYS OUT

* 0 0 3 1 2 9 6 8 0 1 . 1 0 2 8 . 1 *