

# RETAILX

JUNE 25-28, 2019

McCORMICK PLACE SOUTH LEVEL 3, EXHIBIT HALL A  
CHICAGO, ILLINOIS



### FLOOR PLAN GENERAL NOTES

- FHEC - FIRE HOSE EXTINGUISHER CABINET
- FHC - FIRE HOSE CABINET
- FEC - FIRE EXTINGUISHER CABINET
- FHR - FIRE HOSE RACK
- FX - FIRE EXTINGUISHER
- EE - EMERGENCY EXIT
- DF - DRINKING FOUNTAIN

### EXHIBIT HALL:

- CEILING HEIGHT 40'
- FLOOR LOAD - 400# PER SQ. FT.

### GRAND CONCOURSE LOBBY:

- CEILING HEIGHT 135' HIG
- FLOOR LOAD - 100# PER SQ. FT.

THROUGH FOOD POOS (UNLESS APPROVED BY MCCORMICK PLACE)

ALL DRAPE LINES ARE SUBJECT TO CHANGE PER ON-SITE FIRE MARSHAL APPROVAL.

### FLOOR PORTS LEGEND

#### MECHANICAL FLOOR PORTS

- (EVERY 30' ON CENTER)
- 8" DRAIN FLOOR W/ FLOOR
- 1" DOMESTIC WATER 60 PSIG
- 1" COMPRESSED AIR 100PSI
- 1" NATURAL GAS 1 PSI

#### ELECTRICAL FLOOR PORTS

(EVERY 10' ON CENTER)

- TYPE A
  - 120V, SINGLE, 15 AMP
  - 208V, THREE, 30 AMP
  - 480V, THREE, 100 AMP
- TYPE B
  - 120V, SINGLE, 15 AMP
  - 208V, THREE, 30 AMP
  - 208V, THREE, 60 AMP
- TYPE C
  - 120V, SINGLE, 15 AMP
  - 208V, THREE, 30 AMP

### INDIVIDUAL COLUMN DETAILS

#### SINGLE COLUMN

BASE COVER 7'9" x 7'9" x 98-10" HIGH

#### SPLIT COLUMN

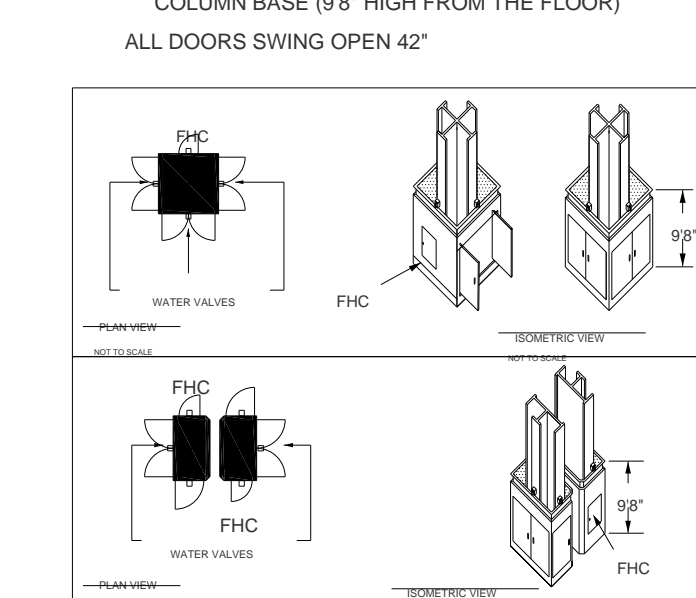
BASE COVER 10'2" x 7'9" x 98-10" HIGH

FIRE MUST HAVE TOTAL ACCESS

WATER VALVES MUST HAVE LIMITED ACCESS

FIRE STROBE SITS ON TOP OF EACH BOX OF COLUMN BASE (8" HIGH FROM THE FLOOR)

ALL DOORS SWING OPEN 42"



### ACCESS DEFINITIONS

#### TOTAL ACCESS

ENTIRE DOOR MUST BE COMPLETELY CLEAR TO NEAREST WALL IN A DIRECT LINE AND COMPLETELY VISIBLE AT ALL TIMES

#### LIMITED ACCESS

NO IMPEDMENTS OR OBSTRUCTIONS MAY BE PLACED WITHIN THE 42" CLEARANCE AREA WHICH PROHIBIT THE COLUMN DOORS FROM OPENING QUICKLY AND COMPLETELY (42") LIGHT/FIRE ITEMS SUCH AS CHAIRS, TABLES, ETC. ARE PERMISSIBLE AS WELL AS DRAPES PROVIDED THEY CAN BE MOVED QUICKLY BY ONE PERSON, AND DO NOT PREVENT THE DOORS FROM FULLY OPENING