

PLAN

FREEMAN

PROJECT Cyber Security
BOOTH # MGMT

SHOW NAME HIMSS 2019
SHOW DATE 2/12/2019
SHOW LOCATION OCCC

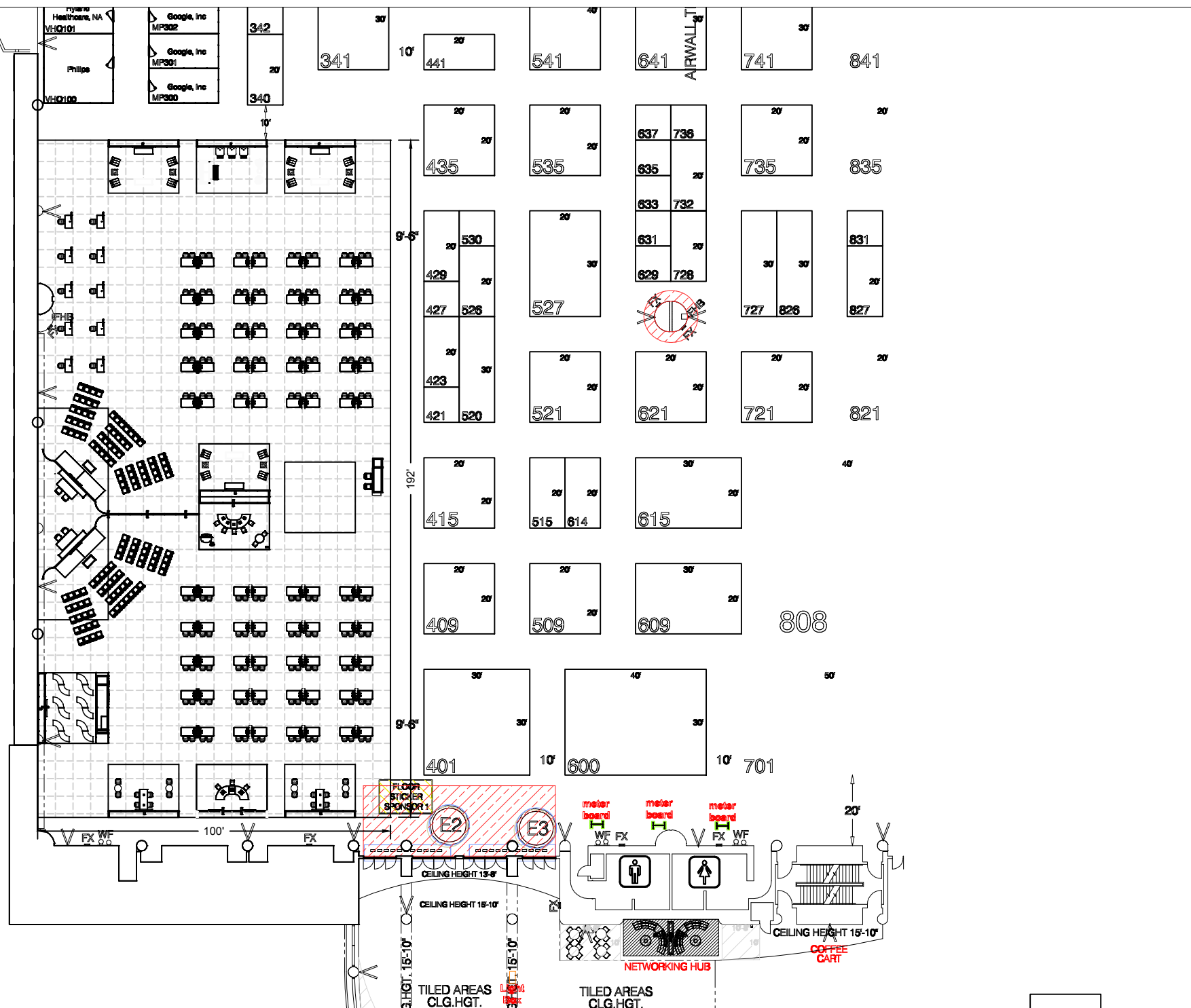
SALES CONTACT Sarah Johnston
JOB NUMBER 452520
LINE ITEM NUMBER 4586511

CREATED BY A Mendoza | K Krayer
DATE 1/25/2019
REVISED 1/25/2019
PRODUCING BRANCH Chicago

FILE NAME C:/Users/mendoza/Desktop/ALVINS STUFF/JOBS 2019/02 FEB/HIMSS(453530)/Cybersecurity/CAD/HIMSS19 Cyber Security 4586511 DES.dwg

The text, graphics, designs, logos, data compilations and information ("Content") contained in this Proposal are owned or controlled by Freeman and are protected by United States and international copyright and trade secret laws. Modification or reproduction of the Content for any purpose is strictly prohibited.

Plan



PLAN

FREEMAN

PROJECT Cyber Security
BOOTH # MGMT

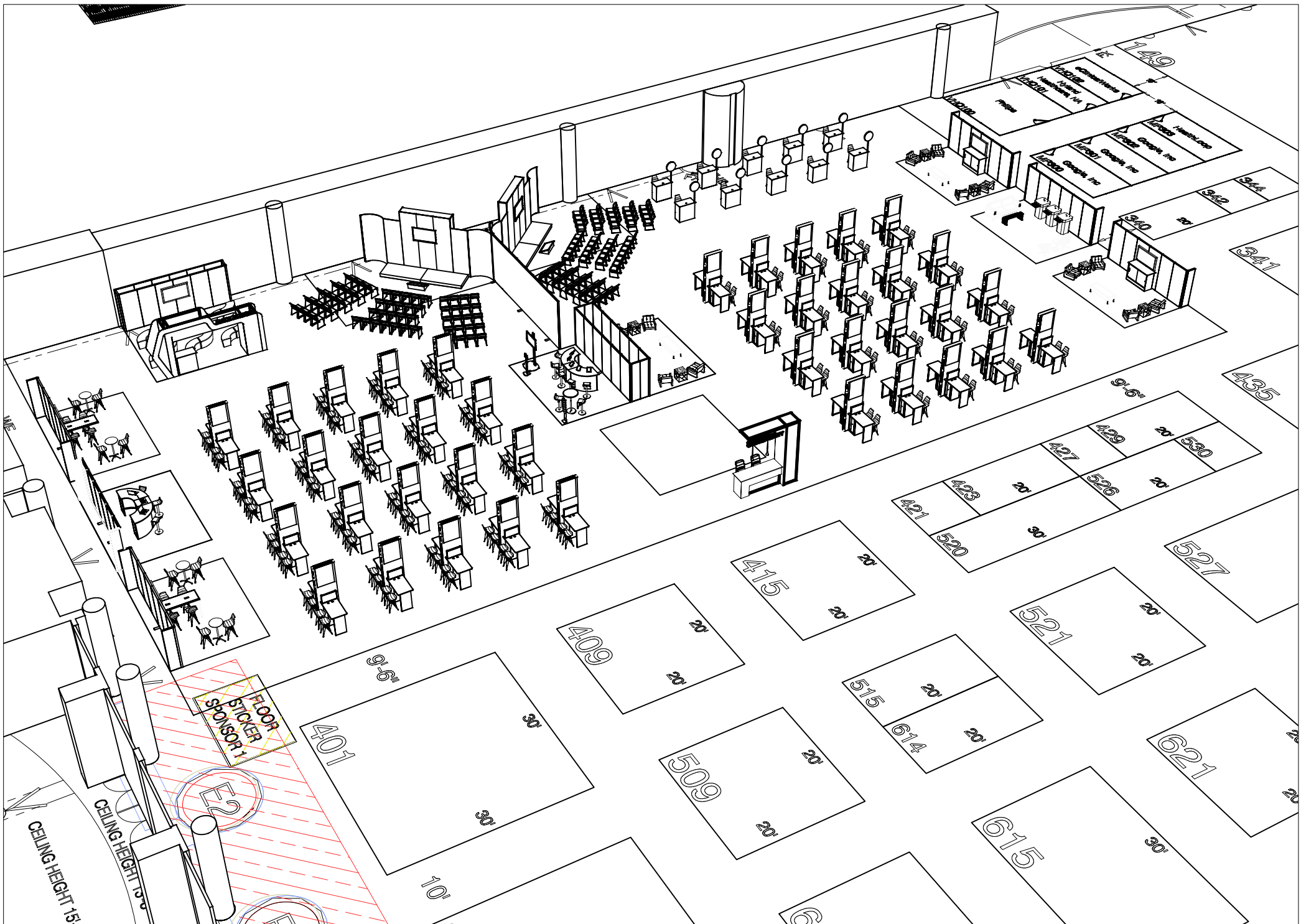
SHOW NAME HIMSS 2019
SHOW DATE 2/12/2019
SHOW LOCATION OCCC

SALES CONTACT Sarah Johnston
JOB NUMBER 452520
LINE ITEM NUMBER 4586511

CREATED BY A Mendoza | K Krayer
DATE 1/25/2019
REVISED 1/25/2019
PRODUCING BRANCH Chicago

FILE NAME C:/Users/mendoza/Desktop/ALVINS STUFF/JOBS 2019/02 FEB/HIMSS(453530)/Cybersecurity/CAD/HIMSS19 Cyber Security 4586511 DES.dwg

The text, graphics, designs, logos, data compilations and information ("Content") contained in this Proposal are owned or controlled by Freeman and are protected by United States and international copyright and trade secret laws. Modification or reproduction of the Content for any purpose is strictly prohibited.



FREEMAN

PROJECT Cyber Security
 BOOTH # MGMT

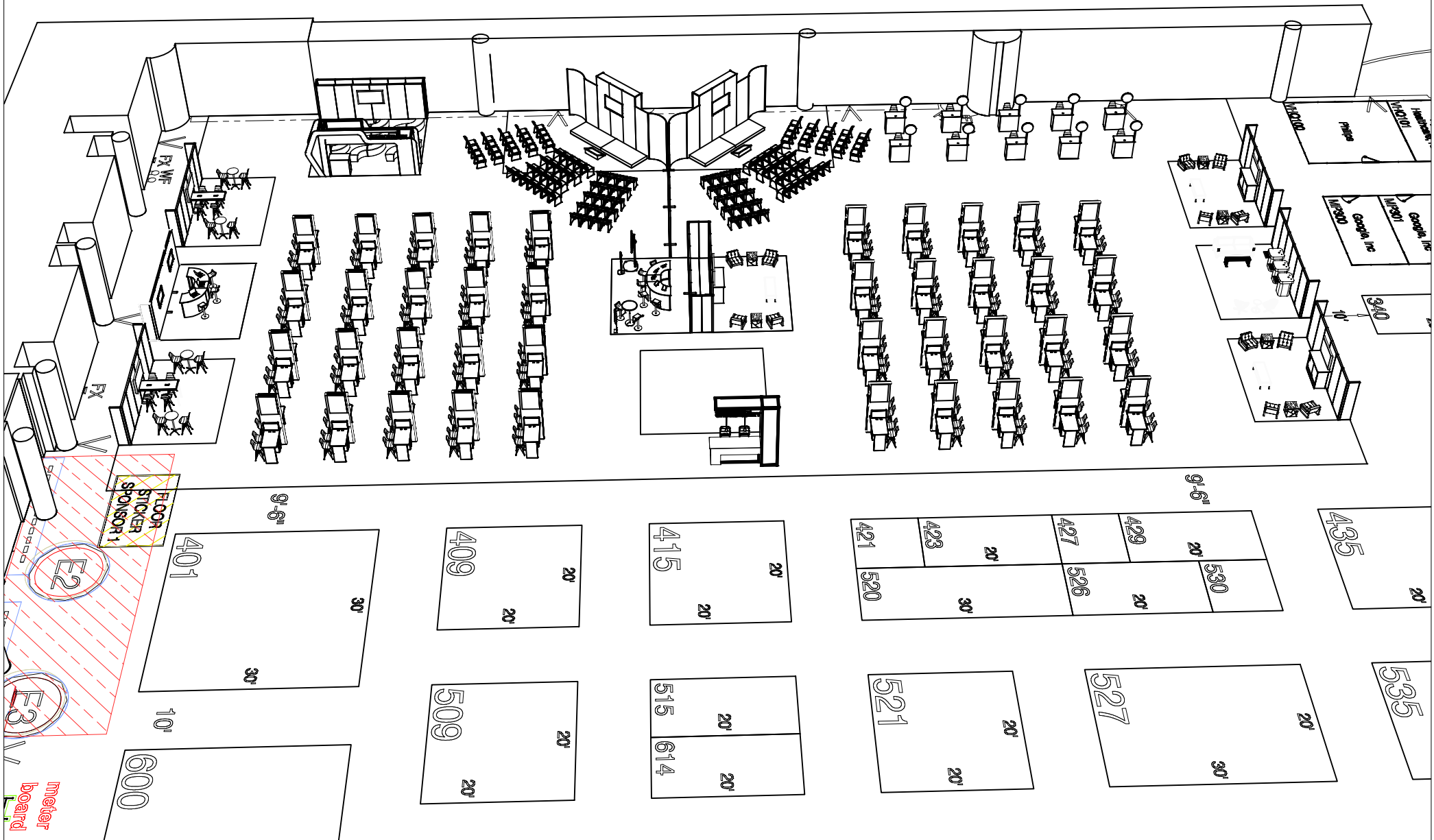
SHOW NAME HIMSS 2019
 SHOW DATE 2/12/2019
 SHOW LOCATION OCCC

SALES CONTACT Sarah Johnston
 JOB NUMBER 452520
 LINE ITEM NUMBER 4586511

CREATED BY A Mendoza | K Krayer
 DATE 1/25/2019
 REVISED 1/25/2019
 PRODUCING BRANCH Chicago

FILE NAME C:/Users/mendoza/Desktop/ALVINS STUFF/JOBS 2019/02 FEB/HIMSS(453530)/Cybersecurity/CAD/HIMSS19 Cyber Security 4586511 DES.dwg

The text, graphics, designs, logos, data compilations and information ("Content") contained in this Proposal are owned or controlled by Freeman and are protected by United States and international copyright and trade secret laws. Modification or reproduction of any purpose is strictly prohibited. Front_Persp



FREEMAN

PROJECT Cyber Security
BOOTH # MGMT

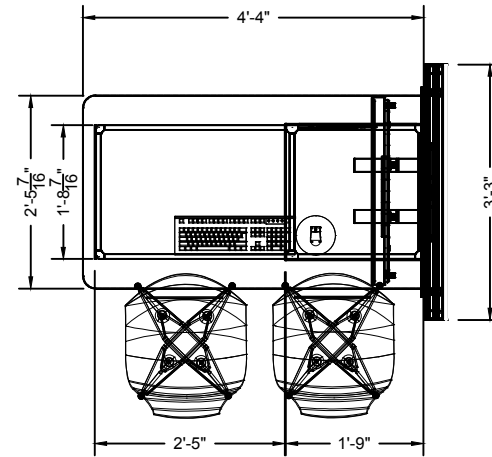
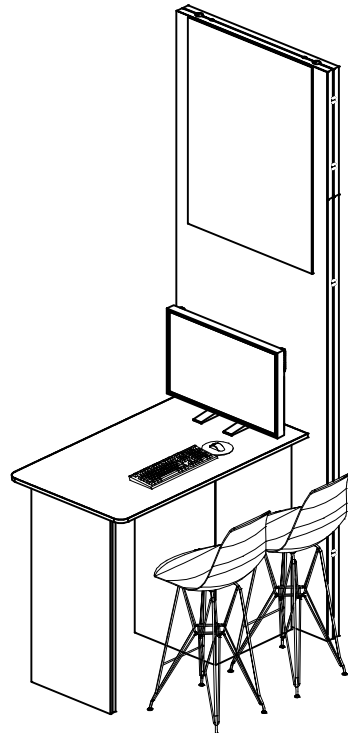
SHOW NAME HIMSS 2019
SHOW DATE 2/12/2019
SHOW LOCATION OCCC

SALES CONTACT Sarah Johnston
JOB NUMBER 452520
LINE ITEM NUMBER 4586511

CREATED BY A Mendoza | K Krayer
DATE 1/25/2019
REVISED 1/25/2019
PRODUCING BRANCH Chicago

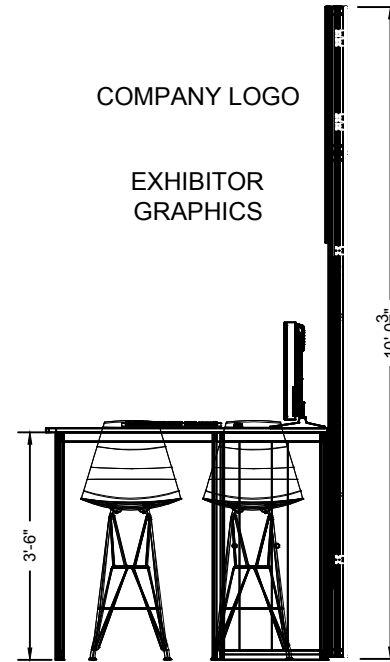
FILE NAME C:/Users/mendoza/Desktop/ALVINS STUFF/JOBS 2019/02 FEB/HIMSS(453530)/Cybersecurity/CAD/HIMSS19 Cyber Security 4586511 DES.dwg

The text, graphics, designs, logos, data compilations and information ("Content") contained in this Proposal are owned or controlled by Freeman and are protected by United States and international copyright and trade secret laws. Modification or reproduction of the Content for any purpose is strictly prohibited. Front_Persp



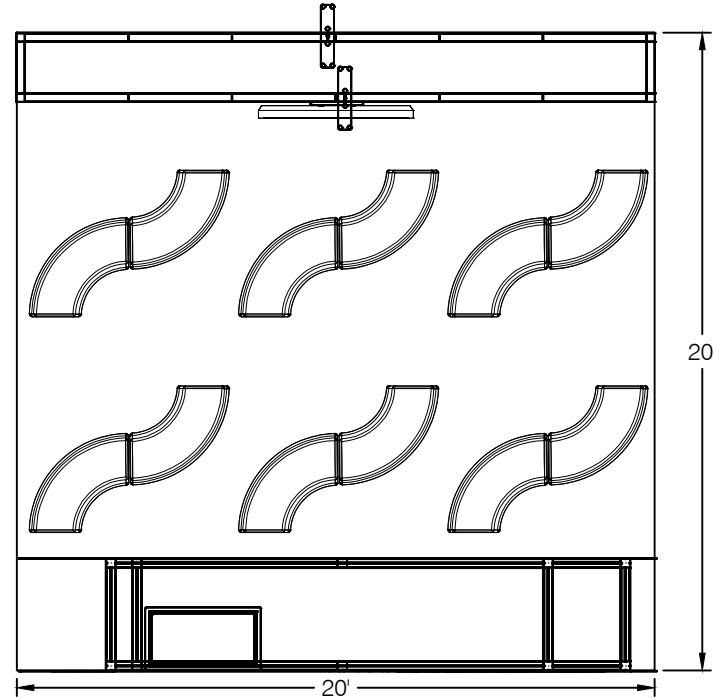
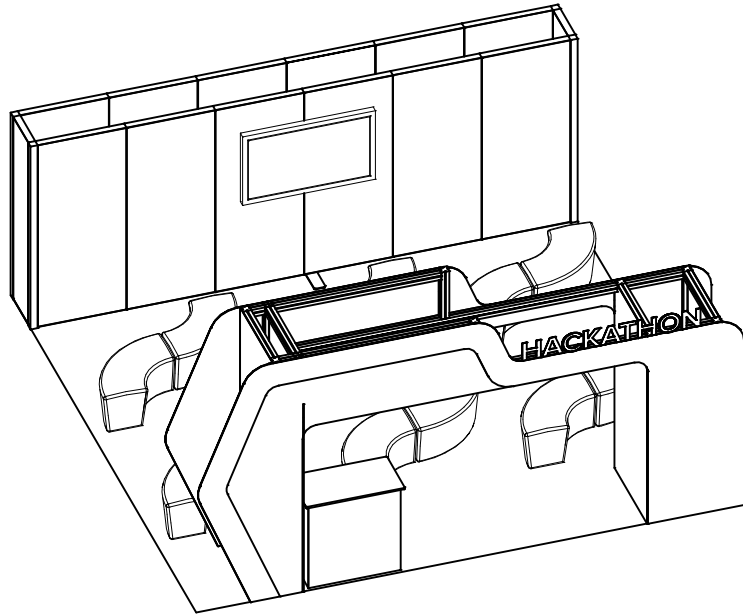
COMPANY LOGO

EXHIBITOR GRAPHICS

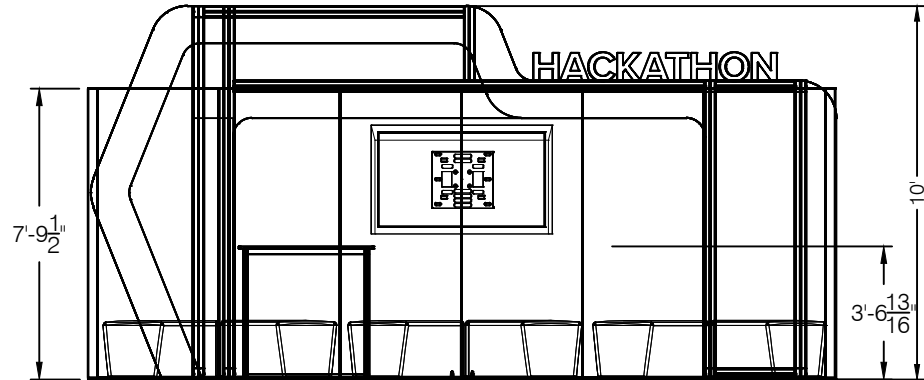


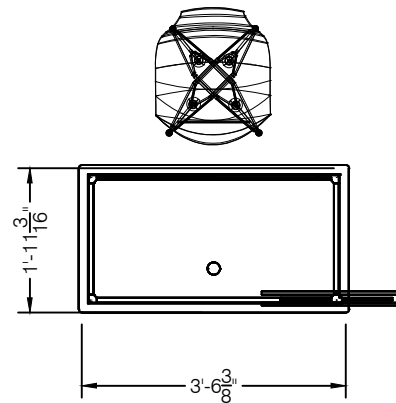
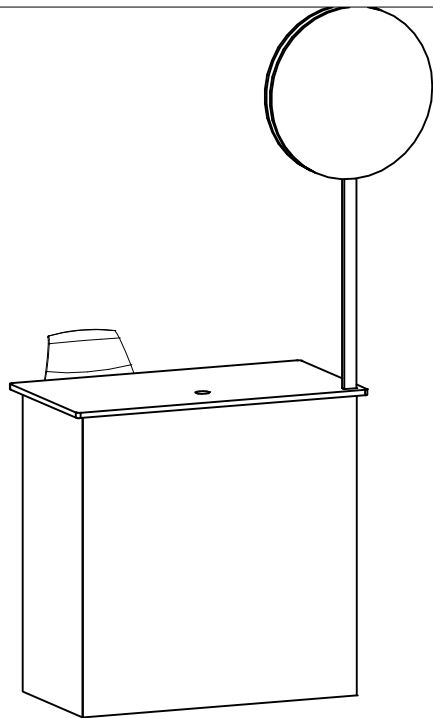
KIOSK									
I.D.	Qty	Type	Size	Area (SqFt)	Part Number	Description	Material	Color	Notes
	2	P50	42"			3'-6" (42")	Aluminum	Silver	
	4	P31	42"			3'-6" (42")	Aluminum	Silver	
	2	H45	6"			6"	Aluminum	Silver	
	4	H45	17-7/8"			1/2M	Aluminum	Silver	
	4	H45	47-3/8"			1-1/4M	Aluminum	Silver	
	1	H45	48"			48"	Aluminum	Silver	
	4	H200	17-7/8"			1/2M	Aluminum	Silver	
	4	Wall Panel	18-3/8" x 33"	4.2		1/2M x 3'-6" (H45/H200)	PVC 3MM	White	
	1	Overlay Panel	19-11/16" x 42"	5.74		P50 C/1/2M/P31 CS, Remo Tape 1/16"	PVC 3MM	White	
	3	Overlay Panel	20-1/4" x 42"	5.91		P50 C/1/2M/P31 CL, Remo Tape 1/16"	PVC 3MM	White	
	2	Overlay Graphic Panel	12" x 40"			Overlay Graphic Panel	PVC	Graphic	
	4	Std. Cab. Door	24-1/2" x 22"	3.8		1-1/4M x 25-3/4" (H45/H45)	PVC 6MM	White	
	1	Counter Top	1M x 1-1/4M	16.03		Overlay Rectangle	Wood	White	
	2	Acrylic Counter Top	1-1/4M x 1/2M	6.37		Inset Rectangle	Plexi	Clear	
	4	Door Track	47-3/8"			HDT 1-1/4M	Standard	Standard	
	4	Door Track	21-1/4"			VDT 25-3/4" (H45/H45)	Standard	Standard	
	2	Electronics	22" x 15-5/16" x 7-11/16"			Dell 24" Flat Panel Monitor	Standard	Black	
	1	SP Blackout	38-1/8" x 92-1/8"	24.39		Inset Inside Beading	PVC	Gray	
	2	SP Fabric	38 1/2" x 92 1/2"	24.73		Fabric with Beading	Triple White	Graphic	
	1	SP Frame	39" x 93"			8' Full SmartPanel Frame	Aluminum	Silver	
	4	Seating	18" x 17.75" x 44"	0		Limerick Stool	Plastic	Gray	

UNIT TO BE ORDERED ON SEPARATE LINE ITEM



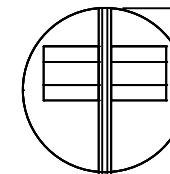
SPONSOR AREA									
ID	Qty	Type	Size	Area (SqFt)	Part Number	Description	Material	Color	Notes
2		P80	42"			3'-6" (42")	Aluminum	Silver	
2		P31	42"			3'-6" (42")	Aluminum	Silver	
4		P40	42"			3'-6" (42")	Aluminum	Silver	
2		H45	12-1/8"			1/4MD	Aluminum	Silver	
4		H45	11-7/8"			1/2M	Aluminum	Silver	
2		H45	31-9/16"			1M	Aluminum	Silver	
2		H45	39-15/16"			3/4MD	Aluminum	Silver	
2		H200	12-1/8"			1/4MD	Aluminum	Silver	
4		H200	11-7/8"			1/2M	Aluminum	Silver	
2		H200	31-9/16"			1M	Aluminum	Silver	
2		H200	39-15/16"			3/4MD	Aluminum	Silver	
2		Overlay Panel	13-3/16" x 42"	3.85		P40 CL/1/4MD, Remo Tape 1/16"	PVC 3MM	White	
2		Overlay Panel	19-1/16" x 42"	5.67		P31 IL/1/2M/P40 CL, Remo Tape 1/16"	PVC 3MM	White	
1		Overlay Panel	39-11/16" x 42"	11.58		P40 CL/1M/P40 CL, Remo Tape 1/16"	PVC 3MM	White	
1		Overlay Panel	40-3/8" x 42"	11.78		P31 CL/1M/P40 CS, Remo Tape 1/16"	PVC 3MM	White	
2		Overlay Panel	42-5/16" x 42"	12.34		P31 T/3/4MD/P40 CL, Remo Tape 1/16"	PVC 3MM	White	
2		Std. Cab. Door	20-5/16" x 32"	4.2		1M x 42" (H45/H200)	PVC 6MM	White	
2		Counter Top	1M x 1/2M	5.08		Inset Rectangle	Wood	White	
1		Counter Top	1M x 1/2M	7.13		Overlay Rectangle	Wood	White	
2		Door Track	31-9/16"			HDT 1M	Standard	Standard	
2		Door Track	31-9/16"			VDT 42" (H45/H200)	Standard	Standard	
3		Electronics	28-7/8" x 2" x 16-7/8"			32" LCD Monitor w/ Table Stand	Standard	Black	
1		Electronics	61"			61" Plasma Screen	Standard	Standard	
3		Electronics	14-13/16" x 10-1/16" x 1-7/16"	0		Dell Precision M4600	Standard	Black	
3		Exhibit Furniture	28" x 28" x 40.5"		N75079	Orion Computer Kiosk	Laminate	Black	
4		PV80	3-5/32" x 3-5/32" x 93-1/2"			93-1/2"	Aluminum	Silver	
2		SP Foot	23-5/8" x 4-15/16"	0		24" Foot	Aluminum	Silver	
12		SP Frame	39" x 93"			8' Full SmartPanel Frame	Aluminum	Silver	
2		SP Frame	19-1/2" x 93"			8' Half SmartPanel Frame	Aluminum	Silver	
4		SP Panel	19-1/8" x 92-5/8"	12.30		Panel From Edge to Edge	PVC	White	
24		SP Panel	38-5/8" x 92-5/8"	24.34		Panel From Edge to Edge	PVC	White	
5		Seating	15" x 17" x 35"			Zoey Barstool, White	Vinyl	White	



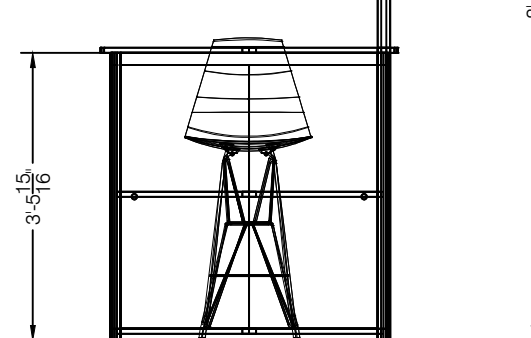


THEATER							
ID.	Qty	Type	Size	Area (SqFt)	Part Number	Description	Material Color Notes
	2	P80	48"			4'-0"	Aluminum Silver
	8	P80	144"			12'-0"	Aluminum Silver
	1	P50	96"			8'-0"	Aluminum Silver
	7	P31	42"			3'-6" (42")	Aluminum Silver
	2	PS35 (Vert.)	24"			2'-0"	Aluminum Silver
	4	PS35 (Vert.)	96"			8'-0"	Aluminum Silver
	4	PS35 (Vert.)	120"			10'-0"	Aluminum Silver
	4	PS35 (Hor.)	25-3/16"			3/4M	Aluminum Silver
	8	PS35 (Hor.)	35-1/8"			1M	Aluminum Silver
	2	PS35 (Hor.)	83-9/16"			2-1/4M	Aluminum Silver
	2	PS35 (Hor.)	151-3/8"			4M	Aluminum Silver
	8	H45	17-7/8"			1/2M	Aluminum Silver
	27	H45	37-9/16"			1M	Aluminum Silver
	2	H200	8"			1/4M	Aluminum Silver
	9	H200	37-9/16"			1M	Aluminum Silver
	2	Wall Panel	18-3/8" x 33"	5.0		1/2M x 3'-6" (H45/H45)	PVC 3MM White
	2	Wall Panel	38-1/8" x 33"	10.3		1M x 3'-6" (H45/H45)	PVC 3MM White
	10	Wall Panel	38-1/8" x 44-3/4"	12.4		1M x 4'-1-3/4" (H45/H45)	PVC 3MM White
	8	Wall Panel	38-1/8" x 87"	23.0		1M x 8'-0" (H45/H200)	PVC 3MM White
	2	Wall Panel	25-15/16" x 89-1/4"	16.1		3/4M x 8'-0" (PS35 H/PS35 H)	PVC 3MM White
	2	Wall Panel	35-5/8" x 89-1/4"	22.1		1M x 8'-0" (PS35 H/PS35 H)	PVC 3MM White
	2	Wall Panel	35-5/8" x 113-1/4"	28.0		1M x 10'-0" (PS35 H/PS35 H)	PVC 3MM White
	C	1	Overlay Panel	19-11/16" x 42"	5.74	P50 InsideL / 1/2M / P31 CornerS	PVC 3MM White
	D	1	Overlay Panel	20-11/16" x 42"	6.03	P31 CornerL / 1/2M / P31 CornerS	PVC 3MM White
	E	1	Overlay Panel	40-3/8" x 42"	11.78	P31 CornerL / 1M / P31 CornerS	PVC 3MM White
	F	1	Overlay Panel	40-13/16" x 42"	11.90	P50 End / 1M / P31 CornerL	PVC 3MM Graphic
	G	2	Overlay Panel	See Router File		Overlay Panel	Ultraboard Graphic
		1	Overlay Panel	20-9/16" x 42"	6.00	P31 CS/1/2M/P31 CS, Remo Tape 1/16"	PVC 3MM White
		1	Overlay Panel	20-11/16" x 42"	6.03	P31 CL/1/2M/P31 CS, Remo Tape 1/16"	PVC 3MM White
		1	Overlay Panel	40-3/8" x 42"	11.78	P31 CL/1M/P31 CS, Remo Tape 1/16"	PVC 3MM White
		1	Overlay Panel	40-1/2" x 42"	11.81	P31 CL/1M/P31 CL, Remo Tape 1/16"	PVC 3MM White
		3	Overlay Panel	38-13/16" x 96"	23.88	PS35 CL/1M/PS35 IL, Remo Tape 1/16"	PVC 3MM White
		1	Overlay Panel	42-9/16" x 96"	28.38	PS35 CL/1M/PS35 CS, Remo Tape 1/16"	PVC 3MM White
		2	Overlay Graphic Panel	160" x 144"	0	Overlay Graphic Panel	pvc TBD
		1	Overlay Graphic Panel	42" x 144"	0	Overlay Graphic Panel	pvc TBD
		2	Overlay Graphic Panel	42" x 64"	0	Overlay Graphic Panel	pvc TBD
		2	Std. Cab. Door	20" x 38"	5.0	1M x 42" (H45/H45)	PVC 6MM White
		1	Door	1M	NA	1M Standard MIS Door	Standard Standard
	CT1	1	Counter Top	1M x 1/2M	7.13	Overlay Rectangle	Wood White
	CT2	2	Counter Top	1M x 1/2M	5.08	Inset Rectangle	Wood White
		1	Counter Top	1M x 1/2M	7.13	Overlay Rectangle	Wood White
		2	Door Track	31-9/16"		HBT 1M	Standard Standard
		1	Electronics	61"		61"-Plasma Screen	Standard Standard
	12	Ottomans	53" x 22" x 18"			Banquette Quarter Curve Ottoman	Vinyl White

COMPANY LOGO



EXHIBITOR GRAPHICS



8'

1'-0 1/2"
3'-0"