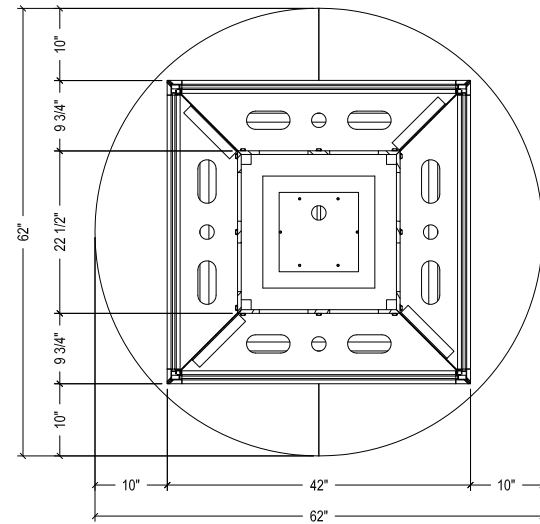
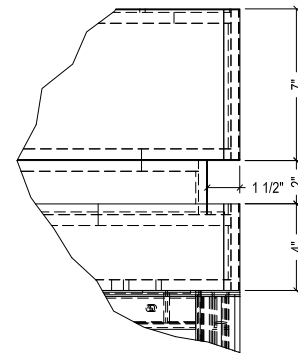


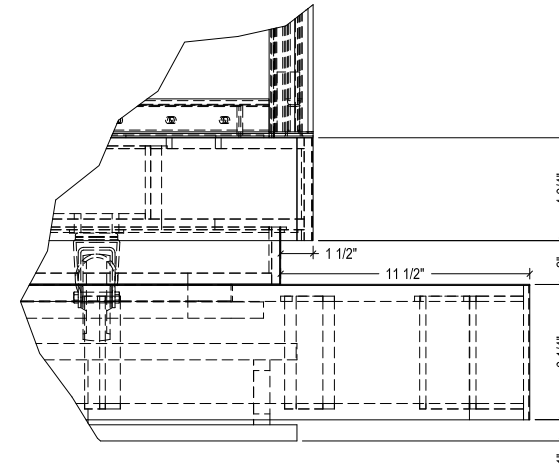
1 FREEMAN - ROTATING GRAPHIC PYLON - PLAN VIEW  
D-1.1 SCALE: 1"=1'-0"



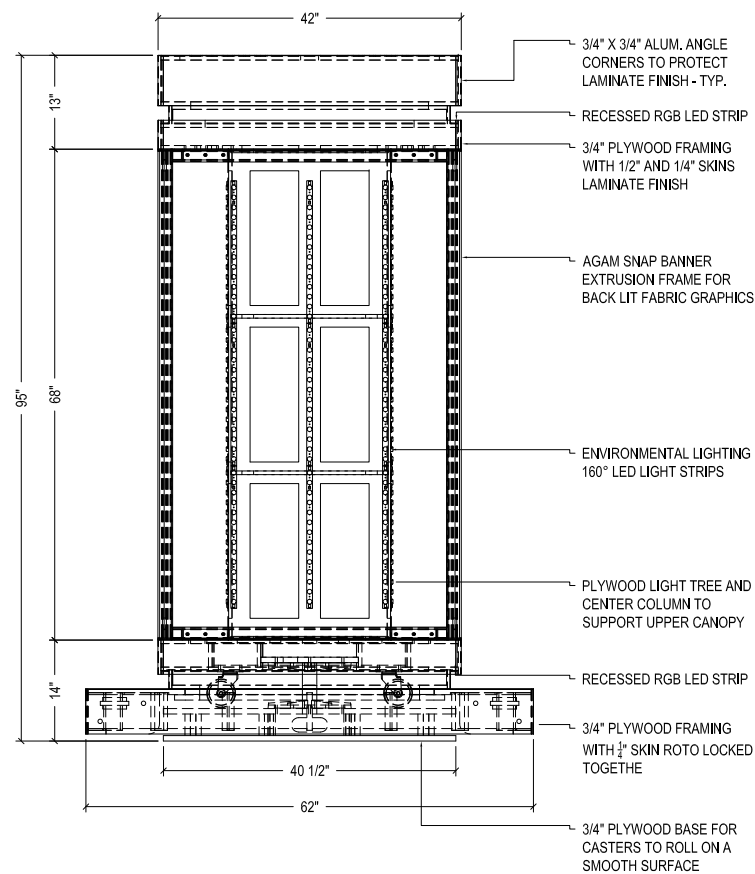
SECTION A-A  
SCALE 1" = 1'-0"



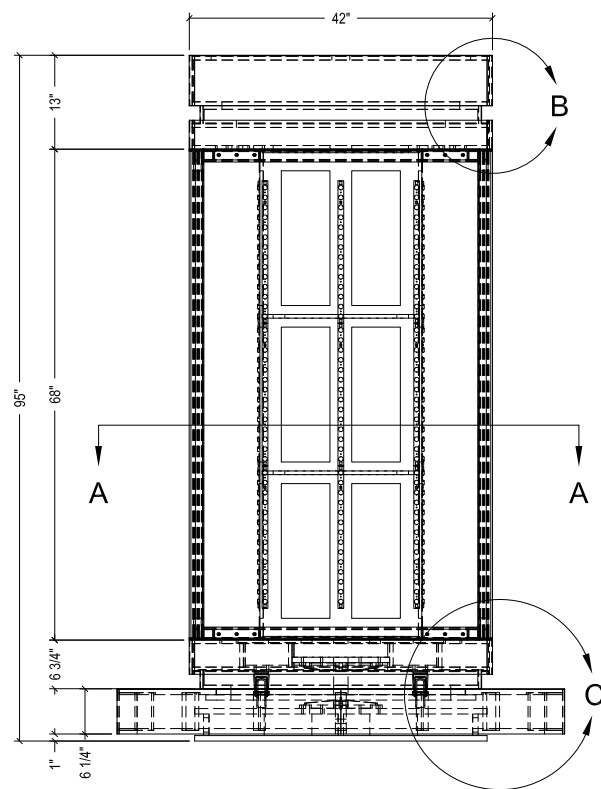
DETAIL B  
SCALE 3" = 1'-0"



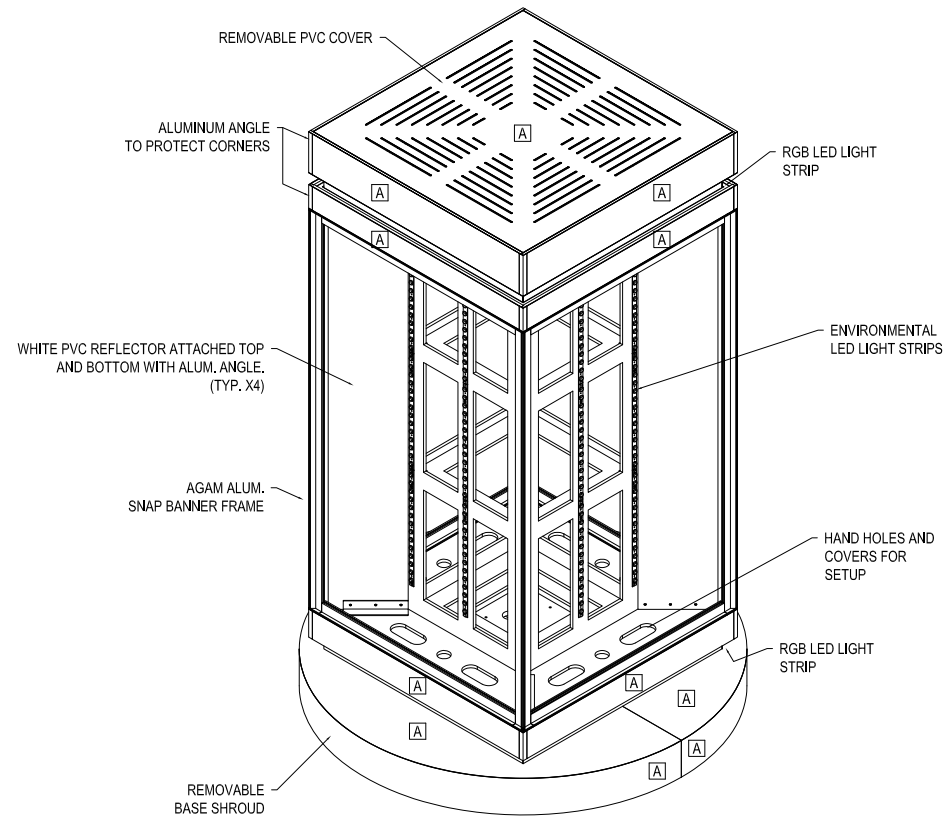
DETAIL C  
SCALE 3" = 1'-0"



2 FREEMAN - ROTATING GRAPHIC PYLON - FRONT ELEVATION  
D-1.1 SCALE: 1"=1'-0"



3 FREEMAN - ROTATING GRAPHIC PYLON - SIDE ELEVATION  
D-1.1 SCALE: 1"=1'-0"



4 FREEMAN - ROTATING GRAPHIC PYLON - ISOMETRIC VIEW  
D-1.1 SCALE: 1-1/2"=1'-0"

Production-Ready Detail

PP Line Item No.	Work Ticket No.	Job / IO No.
		000000

Client Name / Unit Name:  
Freeman

Booth No. / Unit Location:  
N/A

Show Name:  
N/A

Show Location:  
N/A

Show Dates:  
To Be Determined

Account Executive:

Account / Project Manager:

Fabrication Project Manager:  
Anthony Mendoza

Detailed By:  
Carl E. Crow/Dallas Fab - Grand Prairie

Revised By:

Date Started:  
12/17/2017 6:46 PM

Last Saved:  
12/18/2017 10:24 AM

Finish Schedule:	
Symbol:	Description:
A	Formica - 949-58 White
B	1/8" Stainless Steel
C	/
D	/
E	/
F	/
G	/
H	/
I	/
J	/
K	/

Electrical Symbol Key	
	Vertical Dimension
	Horizontal Dimension
	Electrical ID, Letter
	Amount of Electrical

Graphic ID Symbol Key	Part / Crate Symbol Key
	Part Number
	T2
	3
	Part Description

Less Than 30 Days Out

More Than 30 Days Out

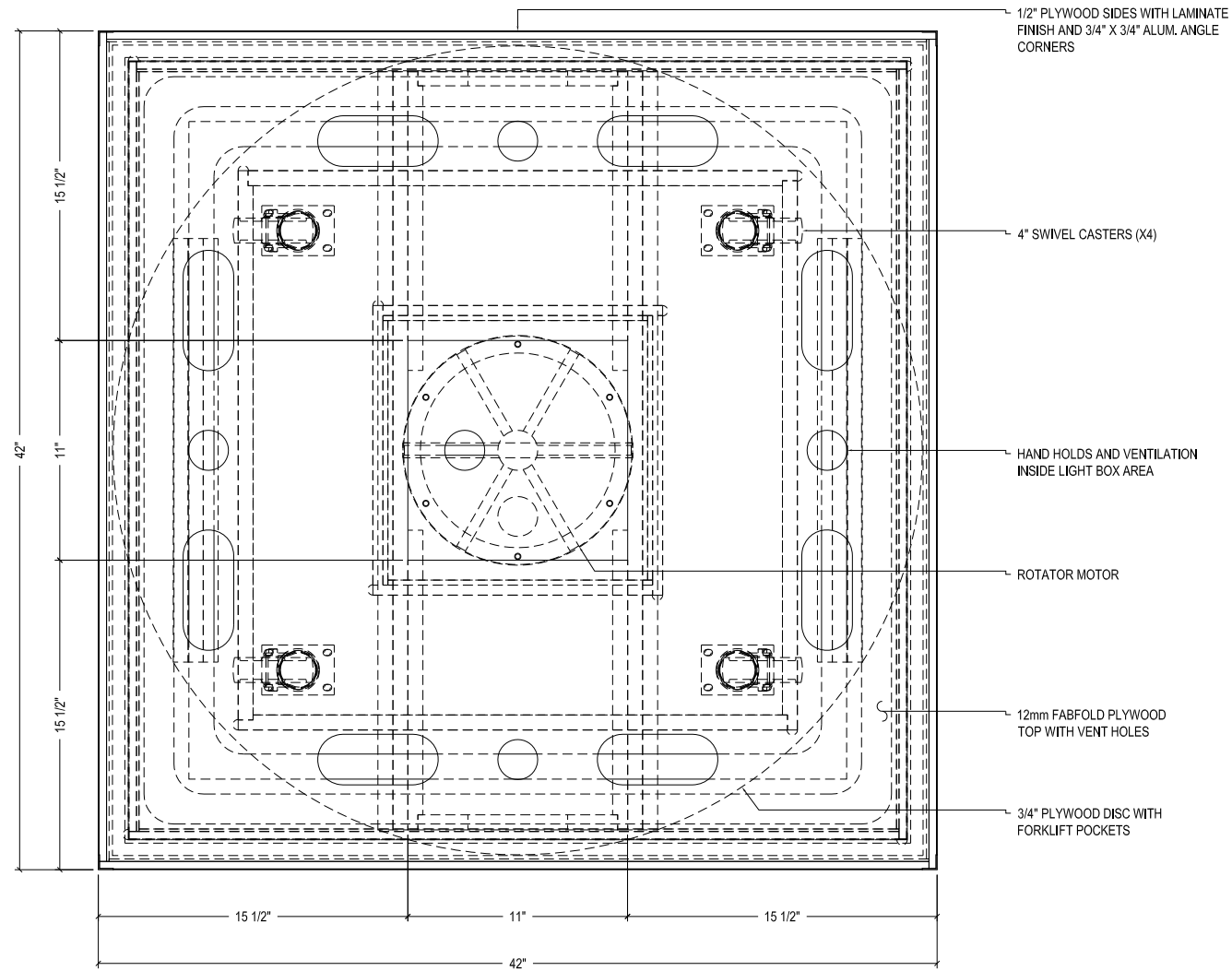
**FREEMAN**

These original concepts and designs are sole property of FREEMAN. Any reproduction or use is prohibited without written consent of FREEMAN.  
© Copyright 2016 FREEMAN. All rights reserved  
www.freemanco.com

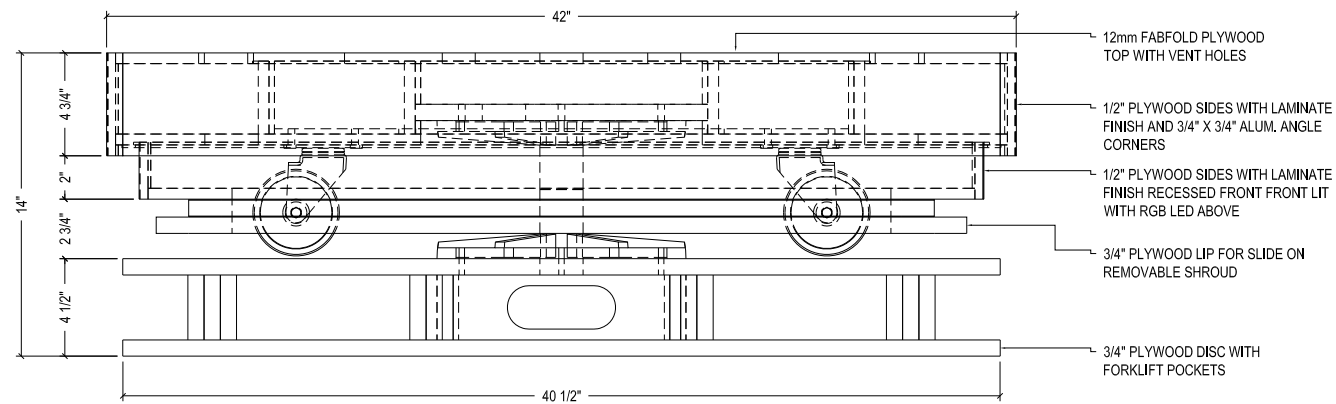
Creating innovative solutions for the planning, design and production of events that facilitate face-to-face marketing.

Sheet Number:

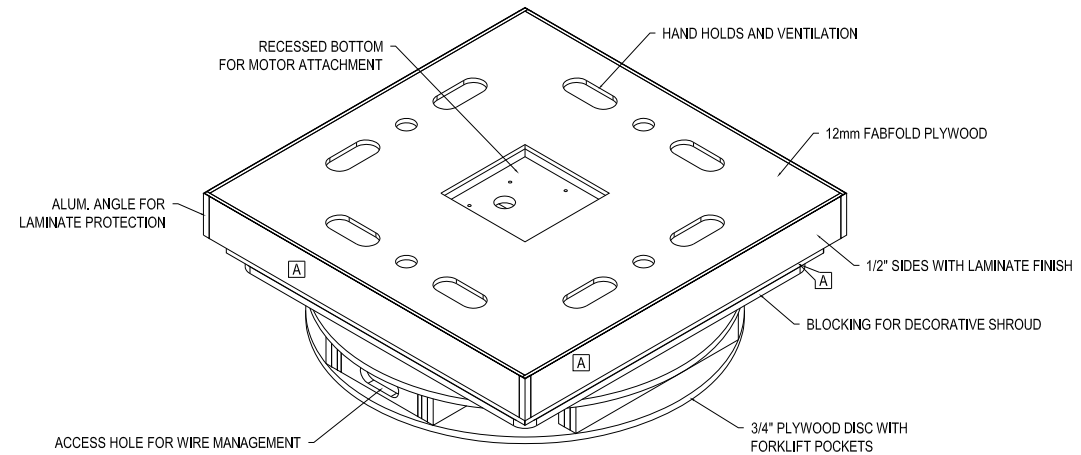
D-1.1



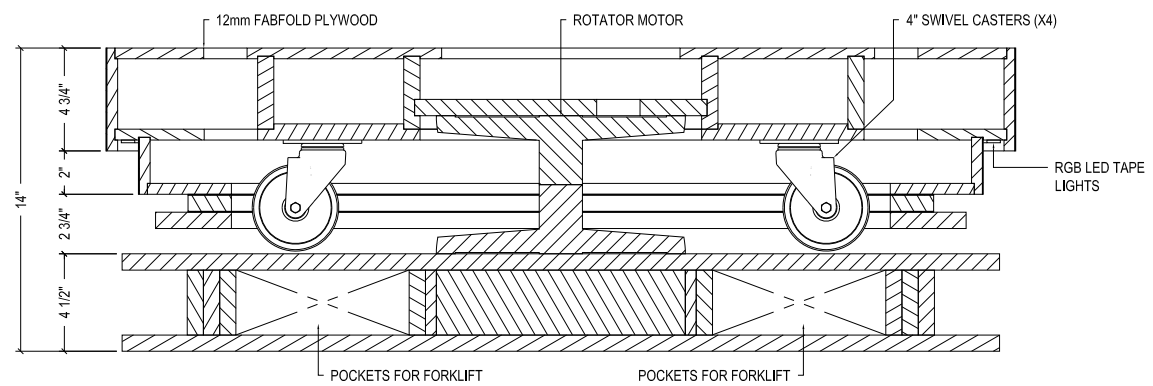
1 FREEMAN - ROTATING GRAPHIC PYLON BASE - PLAN VIEW  
D-1.2 SCALE: 3"=1'-0"



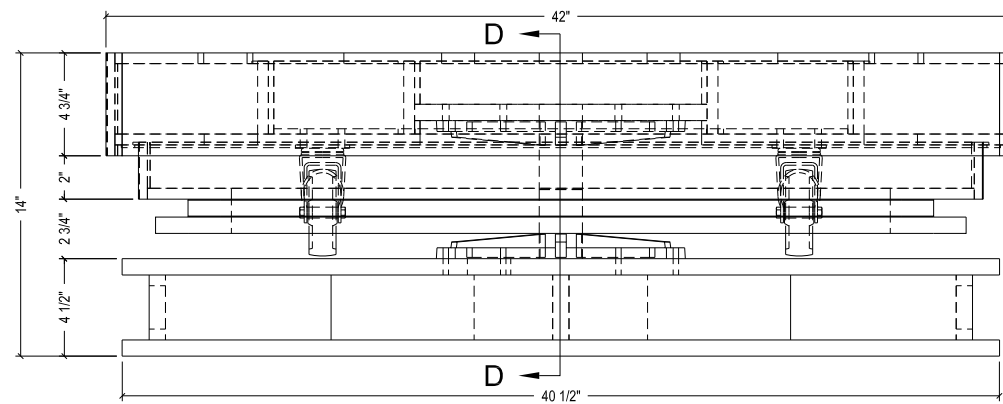
2 FREEMAN - ROTATING GRAPHIC PYLON BASE - FRONT ELEVATION  
D-1.2 SCALE: 3"=1'-0"



3 FREEMAN - ROTATING GRAPHIC PYLON BASE - ISOMETRIC VIEW  
D-1.2 SCALE: NTS



SECTION D-D  
SCALE 3" = 1'-0"



4 FREEMAN - ROTATING GRAPHIC PYLON BASE - SIDE ELEVATION  
D-1.2 SCALE: 3"=1'-0"

Production-Ready Detail

PP Line Item No.	Work Ticket No.	Job / IO No.
		000000

Client Name / Unit Name:  
Freeman

Booth No. / Unit Location:  
N/A

Show Name:  
N/A

Show Location:  
N/A

Show Dates:  
To Be Determined

Account Executive:

Account / Project Manager:

Fabrication Project Manager:  
Anthony Mendoza

Detailled By:  
Carl E. Crow/Dallas Fab - Grand Prairie

Revised By:

Date Started:  
12/17/2017 6:46 PM

Last Saved:  
12/18/2017 10:24 AM

Finish Schedule:	
Symbol:	Description:
A	Formica - 949-58 White
B	1/8" Stainless Steel
C	/
D	/
E	/
F	/
G	/
H	/
I	/
J	/
K	/

Electrical Symbol Key	
	Vertical Dimension
	Horizontal Dimension
	Electrical ID, Letter
	Amount of Electrical

Graphic ID Symbol Key	Part / Crate Symbol Key
	Part Number
	Crate Number
	Part Description

Less Than 30 Days Out	
More Than 30 Days Out	

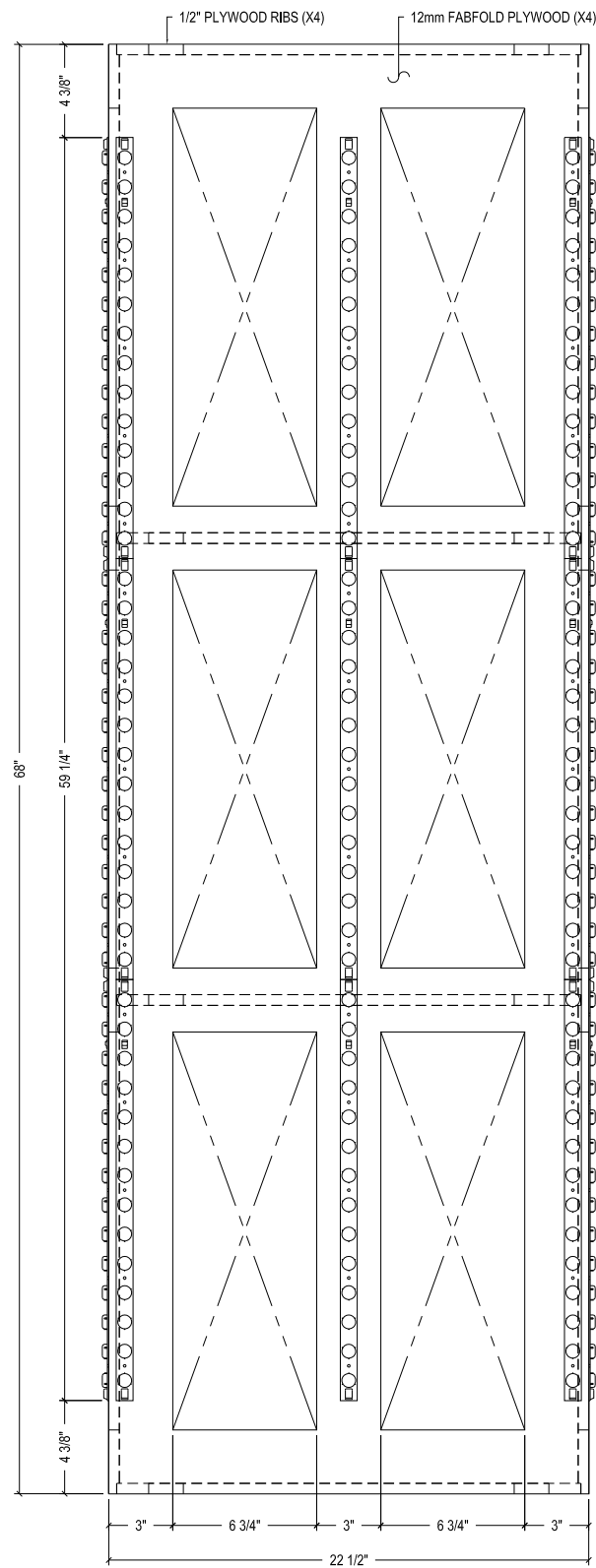
**FREEMAN**

These original concepts and designs are sole property of FREEMAN. Any reproduction or use is prohibited without written consent of FREEMAN.  
© Copyright 2016 FREEMAN. All rights reserved  
www.freemanco.com

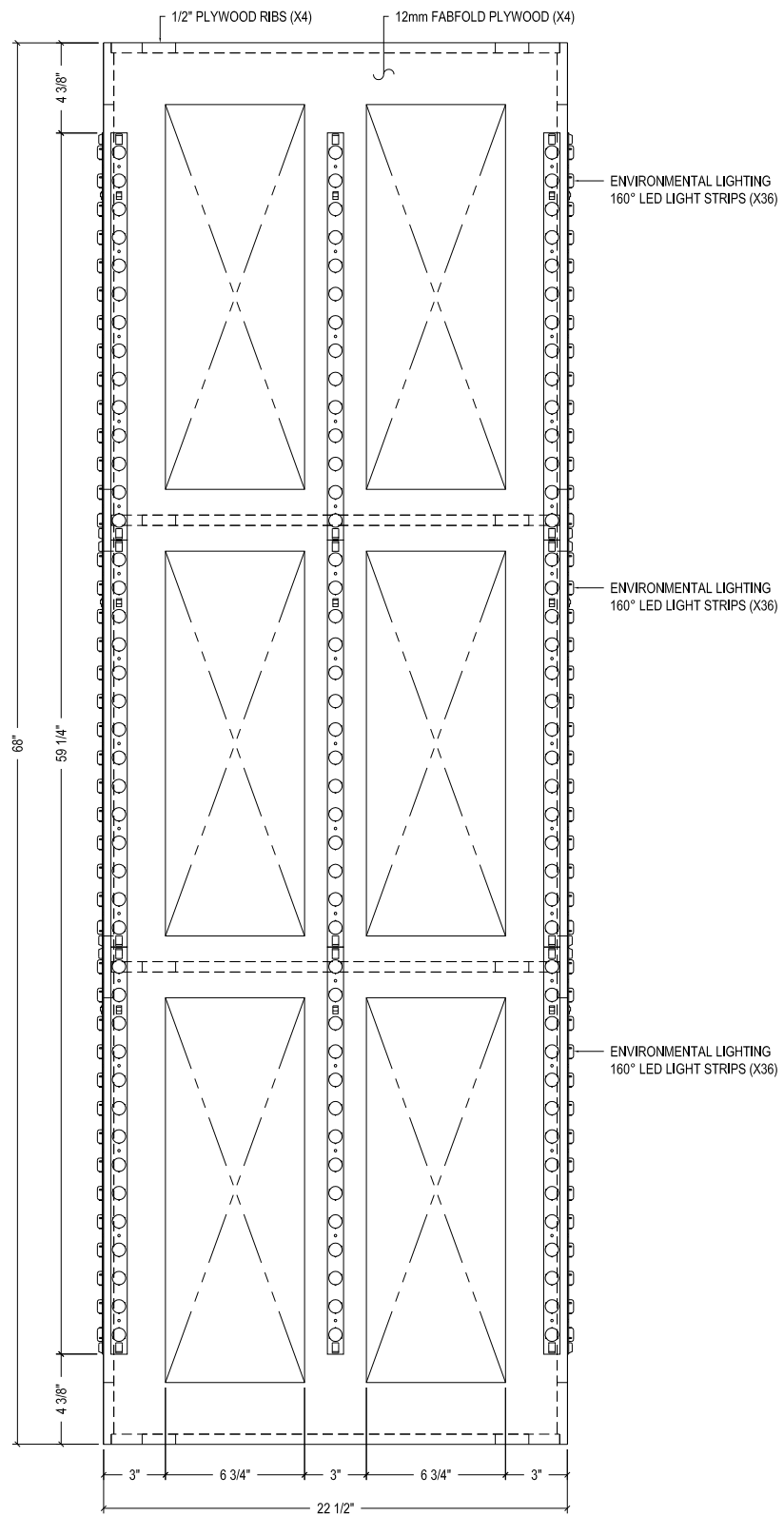
Creating innovative solutions for the planning, design and production of events that facilitate face-to-face marketing.

Sheet Number:

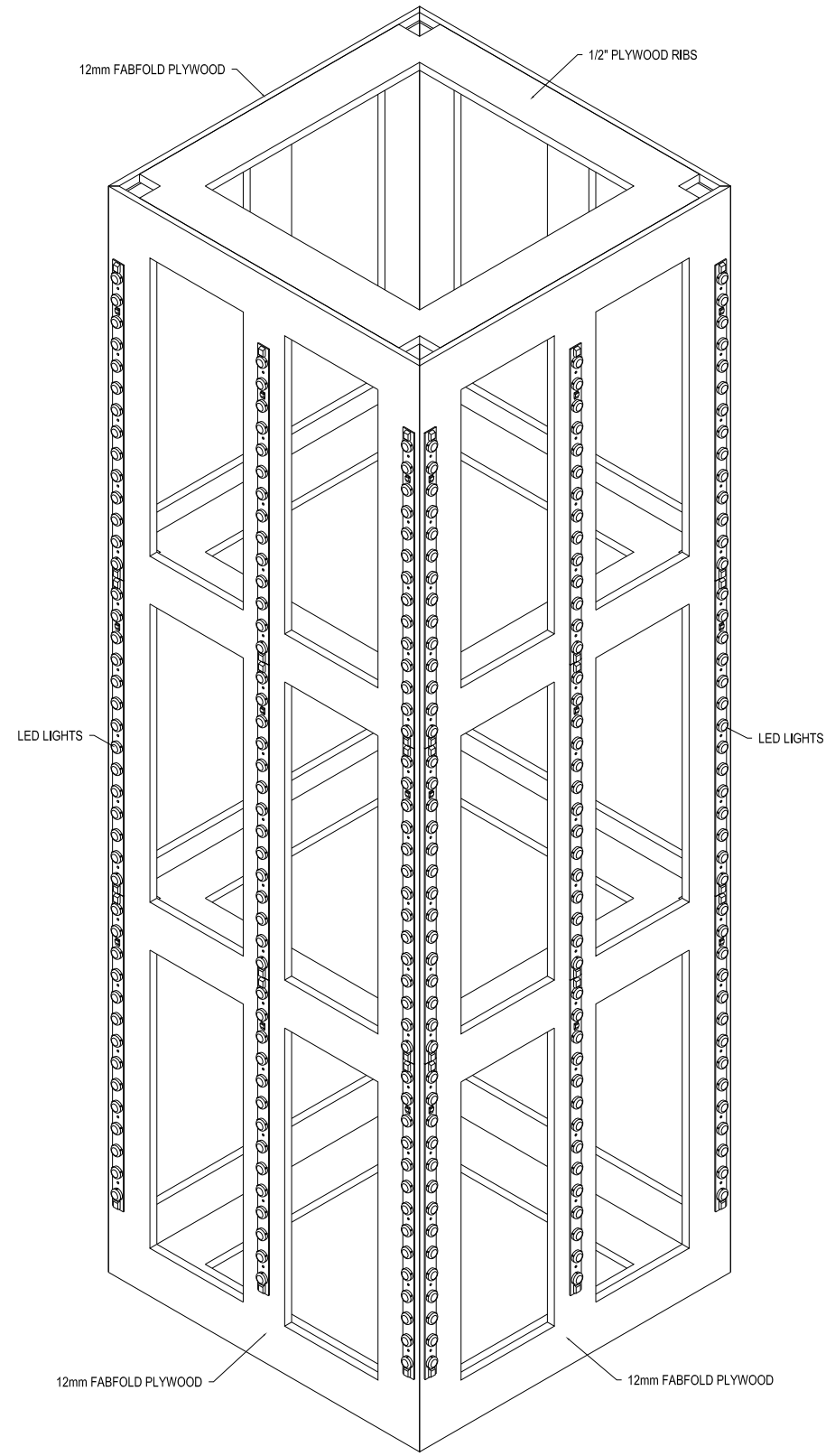
D-1.2



1 FREEMAN - ROTATING GRAPHIC PYLON TREE - FRONT ELEVATION  
D-1.3 SCALE: 3"=1'-0"



2 FREEMAN - ROTATING GRAPHIC PYLON TREE - SIDE ELEVATION  
D-1.3 SCALE: 3"=1'-0"



3 FREEMAN - ROTATING GRAPHIC PYLON TREE - ISOMETRIC VIEW  
D-1.3 SCALE: 3"=1'-0"

Production-Ready Detail

PP Line Item No.	Work Ticket No.	Job / IO No.
		000000

Client Name / Unit Name:  
Freeman

Booth No. / Unit Location:  
N/A

Show Name:  
N/A

Show Location:  
N/A

Show Dates:  
To Be Determined

Account Executive:

Account / Project Manager:

Fabrication Project Manager:  
Anthony Mendoza

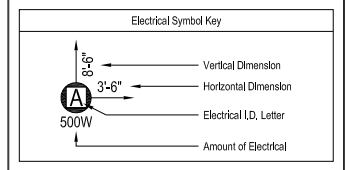
Detailed By:  
Carl E. Crow/Dallas Fab - Grand Prairie

Revised By:

Date Started:  
12/17/2017 6:46 PM

Last Saved:  
12/18/2017 10:24 AM

Finish Schedule:	
Symbol:	Description:
A	Formica - 949-58 White
B	1/8" Stainless Steel
C	/
D	/
E	/
F	/
G	/
H	/
I	/
J	/
K	/



Graphic ID Symbol Key	Part / Crate Symbol Key
AA - Panel/Graphic ID label	T2 - Part Number
	3 - Crate Number
	Part Description

Less Than 30 Days Out

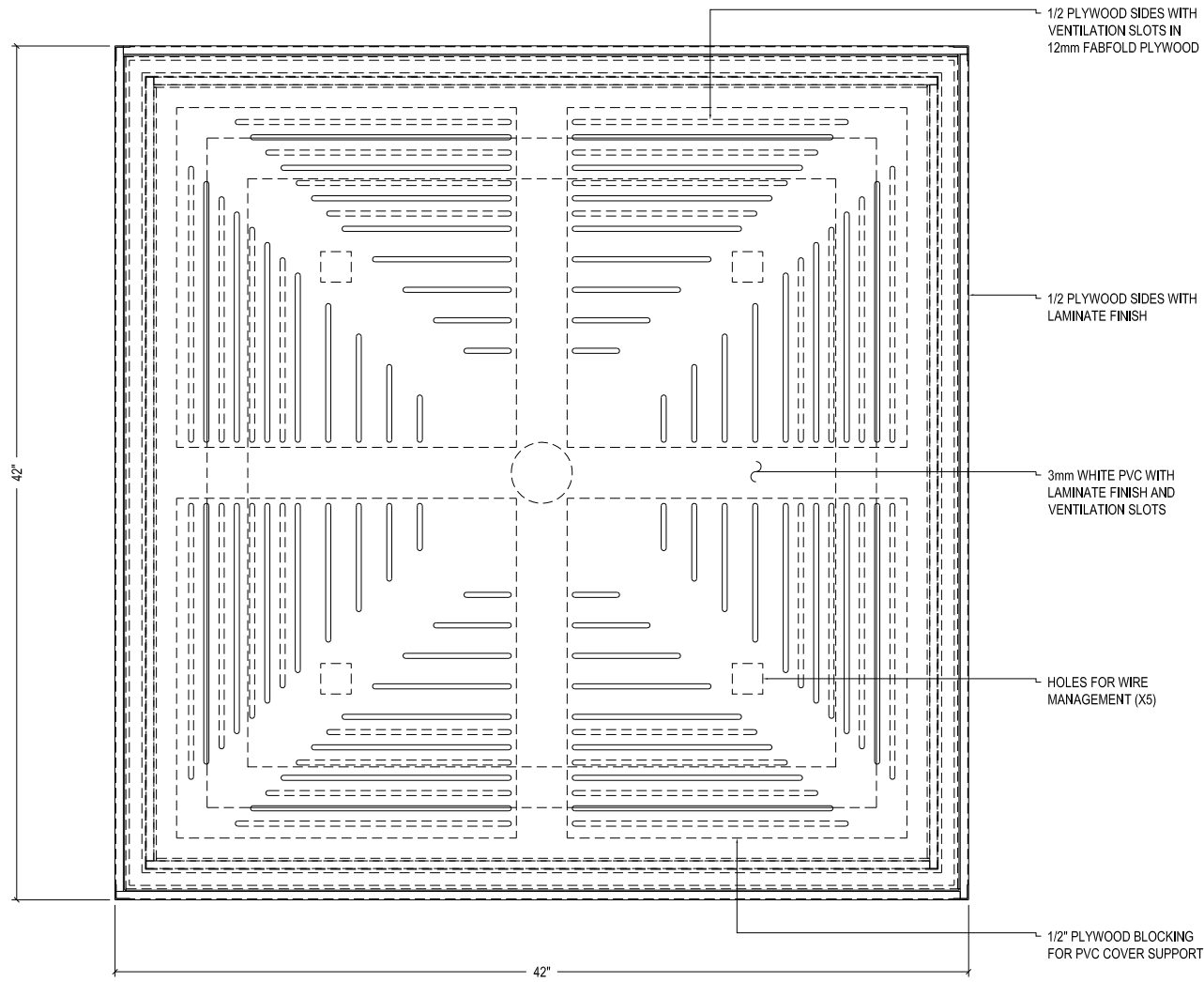
More Than 30 Days Out

**FREEMAN**

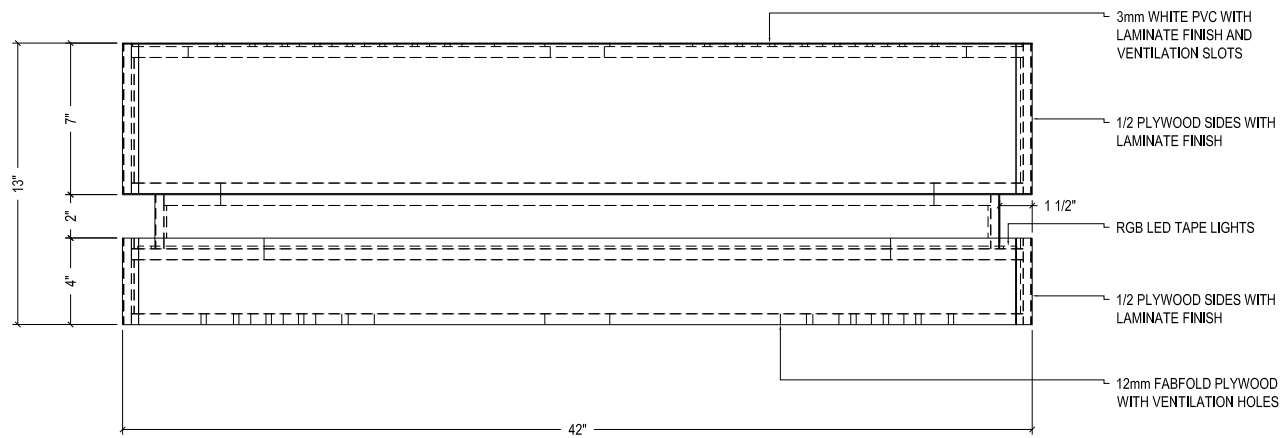
These original concepts and designs are sole property of FREEMAN. Any reproduction or use is prohibited without written consent of FREEMAN.  
© Copyright 2016 FREEMAN. All rights reserved  
www.freemanco.com

Creating innovative solutions for the planning, design and production of events that facilitate face-to-face marketing.

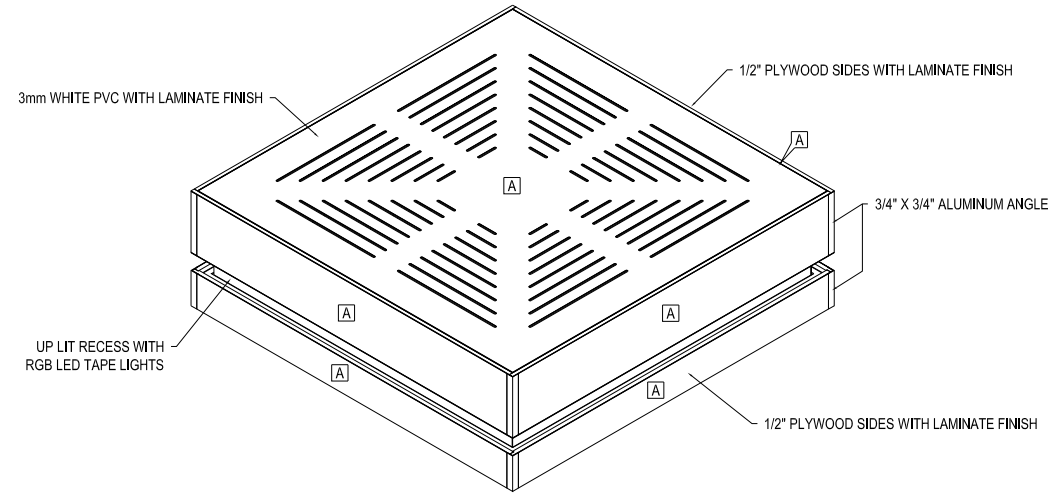
Sheet Number:  
**D-1.3**



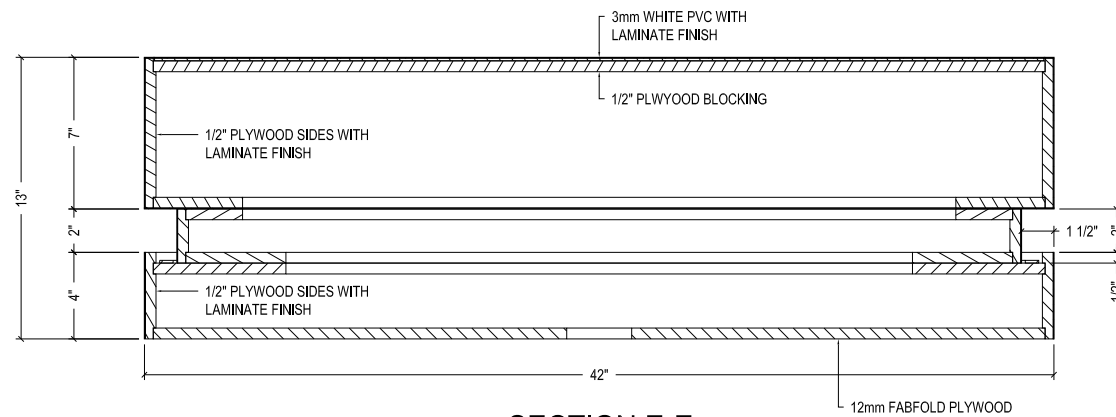
1 FREEMAN - ROTATING GRAPHIC PYLON CANOPY - PLAN VIEW  
D-1.4 SCALE: 3"=1'-0"



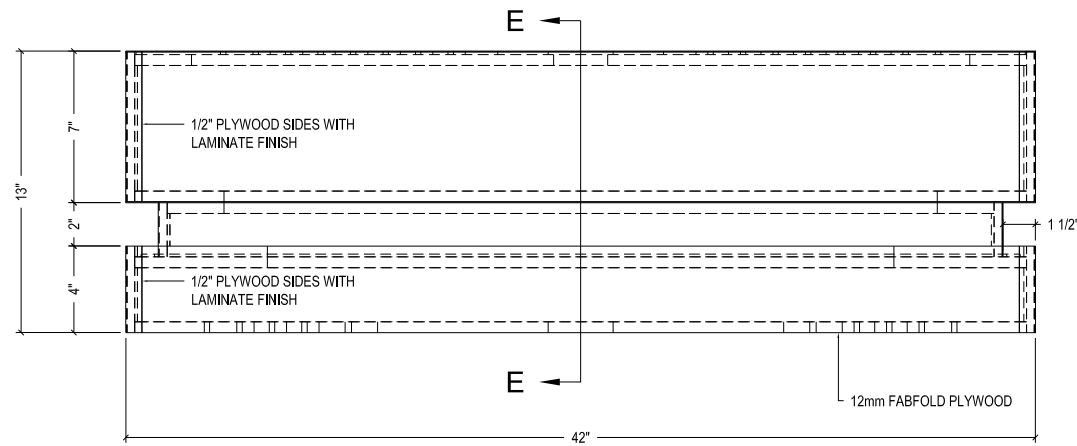
2 FREEMAN - ROTATING GRAPHIC PYLON CANOPY - FRONT ELEVATION  
D-1.4 SCALE: 3"=1'-0"



3 FREEMAN - ROTATING GRAPHIC PYLON CANOPY - ISOMETRIC VIEW  
D-1.4 SCALE: 3"=1'-0"



SECTION E-E  
SCALE 3" = 1'-0"



4 FREEMAN - ROTATING GRAPHIC PYLON CANOPY - SIDE ELEVATION  
D-1.4 SCALE: 3"=1'-0"

Production-Ready Detail

PP Line Item No.	Work Ticket No.	Job / IO No.
		000000

Client Name / Unit Name:  
Freeman

Booth No. / Unit Location:  
N/A

Show Name:  
N/A

Show Location:  
N/A

Show Dates:  
To Be Determined

Account Executive:

Account / Project Manager:

Fabrication Project Manager:  
Anthony Mendoza

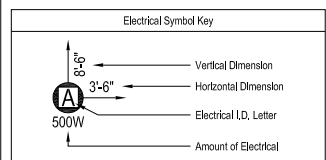
Detailed By:  
Carl E. Crow/Dallas Fab - Grand Prairie

Revised By:

Date Started:  
12/17/2017 6:46 PM

Last Saved:  
12/18/2017 10:24 AM

Finish Schedule:	
Symbol:	Description:
A	Formica - 949-58 White
B	1/8" Stainless Steel
C	/
D	/
E	/
F	/
G	/
H	/
I	/
J	/
K	/



Graphic ID Symbol Key	Part / Crate Symbol Key
AA - Panel/Graphic ID label	Part Number 12 3 - Crate Number Part Description

Less Than 30 Days Out

More Than 30 Days Out

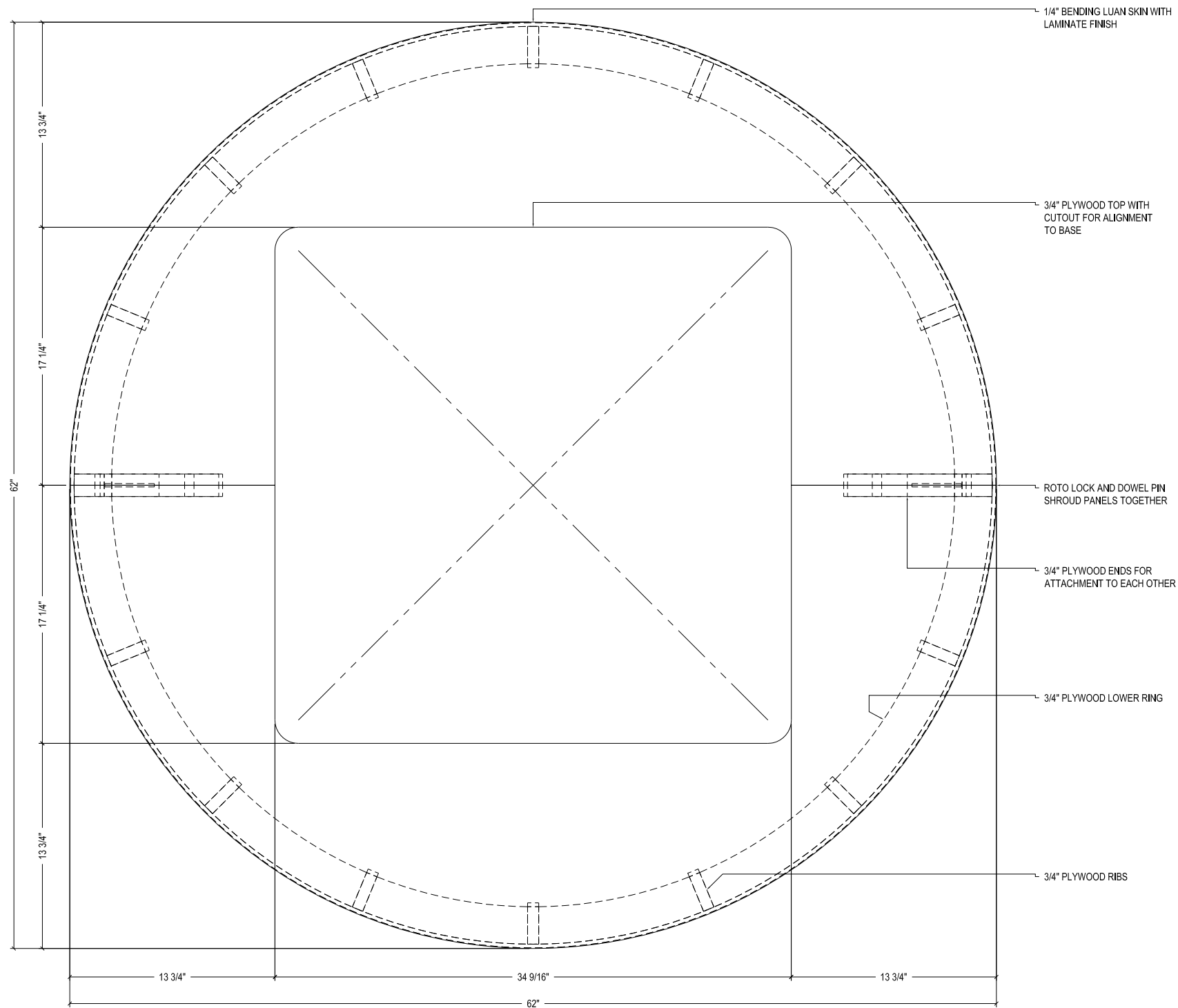
**FREEMAN**

These original concepts and designs are sole property of FREEMAN. Any reproduction or use is prohibited without written consent of FREEMAN.  
© Copyright 2016 FREEMAN. All rights reserved  
www.freemanco.com

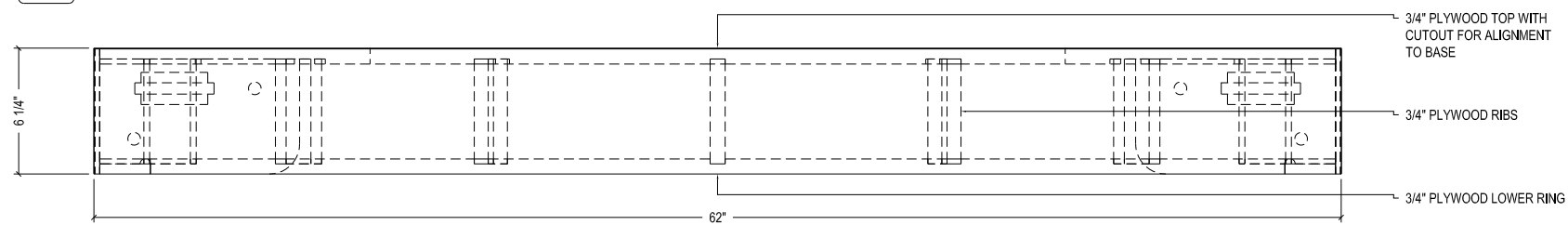
Creating innovative solutions for the planning, design and production of events that facilitate face-to-face marketing.

Sheet Number:

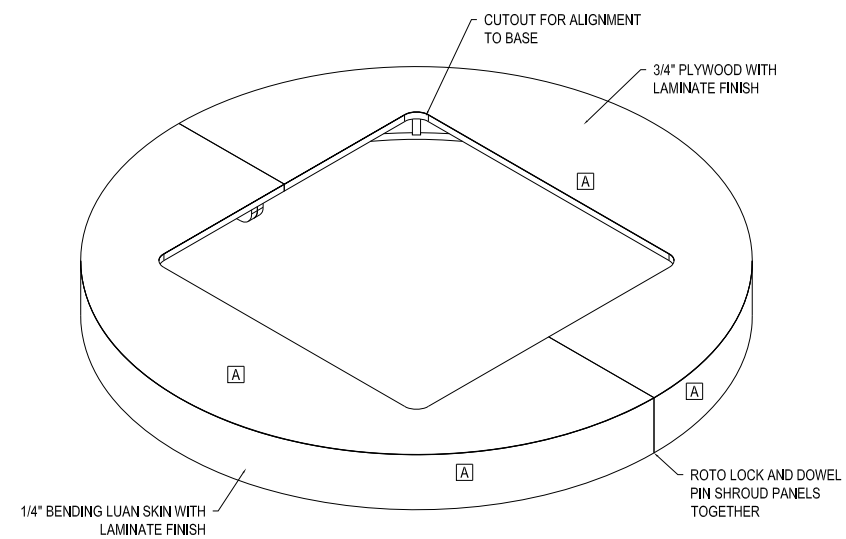
D-1.4



1 FREEMAN - ROTATING GRAPHIC PYLON REMOVABLE SHROUD - PLAN VIEW  
D-1.5 SCALE: 3"=1'-0"



2 FREEMAN - ROTATING GRAPHIC PYLON REMOVABLE SHROUD - FRONT ELEVATION  
D-1.5 SCALE: 3"=1'-0"



3 FREEMAN - ROTATING GRAPHIC PYLON REMOVABLE SHROUD - ISOMETRIC VIEW  
D-1.5 SCALE: NTS

Production-Ready Detail

PP Line Item No.	Work Ticket No.	Job / IO No.
		000000

Client Name / Unit Name:  
Freeman

Booth No. / Unit Location:  
N/A

Show Name:  
N/A

Show Location:  
N/A

Show Dates:  
To Be Determined

Account Executive:

Account / Project Manager:

Fabrication Project Manager:  
Anthony Mendoza

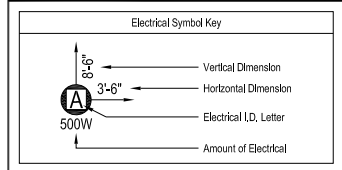
Detailed By:  
Carl E. Crow/Dallas Fab - Grand Prairie

Revised By:

Date Started:  
12/17/2017 6:46 PM

Last Saved:  
12/18/2017 10:24 AM

Finish Schedule:	
Symbol:	Description:
A	Formica - 949-58 White
B	1/8" Stainless Steel
C	/
D	/
E	/
F	/
G	/
H	/
I	/
J	/
K	/



Graphic ID Symbol Key	Part / Crate Symbol Key
AA - Panel/Graphic ID label	T2 - Part Number 3 - Crate Number with label - Part Description

Less Than 30 Days Out

More Than 30 Days Out

**FREEMAN**

These original concepts and designs are sole property of FREEMAN. Any reproduction or use is prohibited without written consent of FREEMAN.  
© Copyright 2016 FREEMAN. All rights reserved  
www.freemanco.com

Creating innovative solutions for the planning, design and production of events that facilitate face-to-face marketing.

Sheet Number:  
**D-1.5**