

PLAN

**FREEMAN**

PROJECT Cyber Security  
BOOTH # MGMT

SHOW NAME HIMSS 2019  
SHOW DATE 2/12/2019  
SHOW LOCATION OCCC

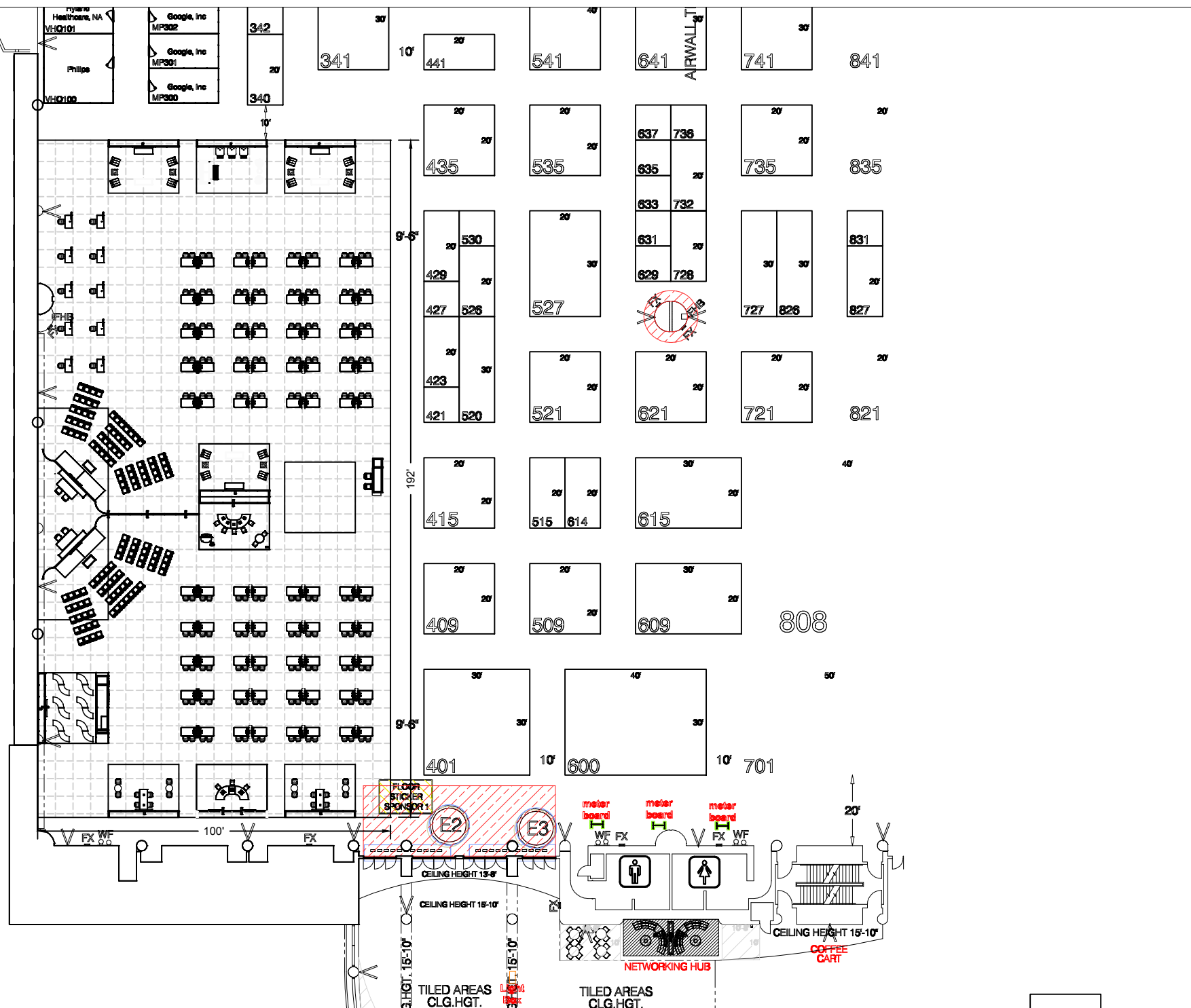
SALES CONTACT Sarah Johnston  
JOB NUMBER 452520  
LINE ITEM NUMBER 4586511

CREATED BY A Mendoza | K Krayer  
DATE 1/25/2019  
REVISED 1/25/2019  
PRODUCING BRANCH Chicago

FILE NAME C:/Users/mendoza/Desktop/ALVINS STUFF/JOBS 2019/02 FEB/HIMSS(453530)/Cybersecurity/CAD/HIMSS19 Cyber Security 4586511 DES.dwg

The text, graphics, designs, logos, data compilations and information ("Content") contained in this Proposal are owned or controlled by Freeman and are protected by United States and international copyright and trade secret laws. Modification or reproduction of the Content for any purpose is strictly prohibited.

Plan



PLAN

**FREEMAN**

PROJECT Cyber Security  
BOOTH # MGMT

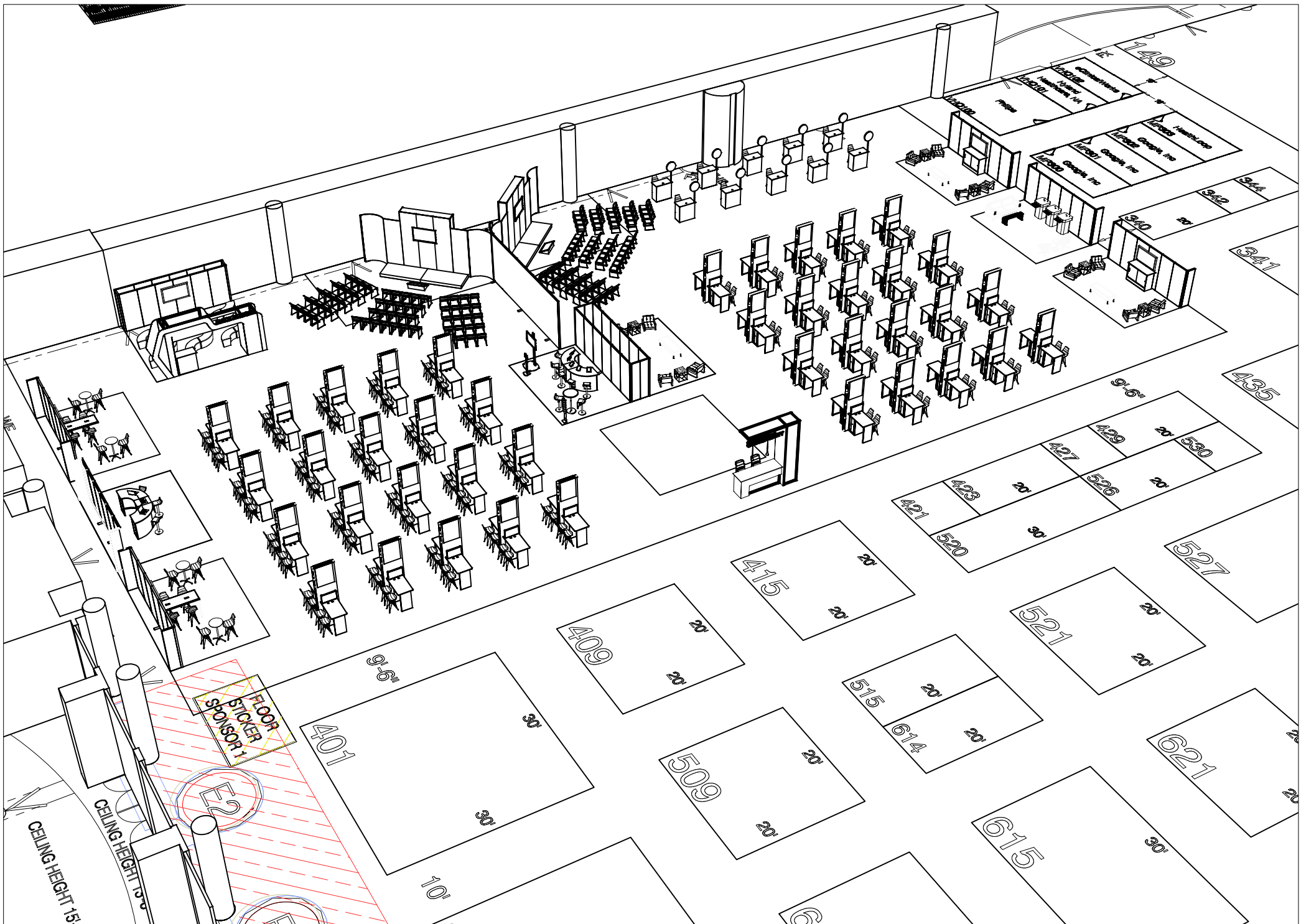
SHOW NAME HIMSS 2019  
SHOW DATE 2/12/2019  
SHOW LOCATION OCCC

SALES CONTACT Sarah Johnston  
JOB NUMBER 452520  
LINE ITEM NUMBER 4586511

CREATED BY A Mendoza | K Krayer  
DATE 1/25/2019  
REVISED 1/25/2019  
PRODUCING BRANCH Chicago

FILE NAME C:/Users/mendoza/Desktop/ALVINS STUFF/JOBS 2019/02 FEB/HIMSS(453530)/Cybersecurity/CAD/HIMSS19 Cyber Security 4586511 DES.dwg

The text, graphics, designs, logos, data compilations and information ("Content") contained in this Proposal are owned or controlled by Freeman and are protected by United States and international copyright and trade secret laws. Modification or reproduction of the Content for any purpose is strictly prohibited.



**FREEMAN**

PROJECT Cyber Security  
 BOOTH # MGMT

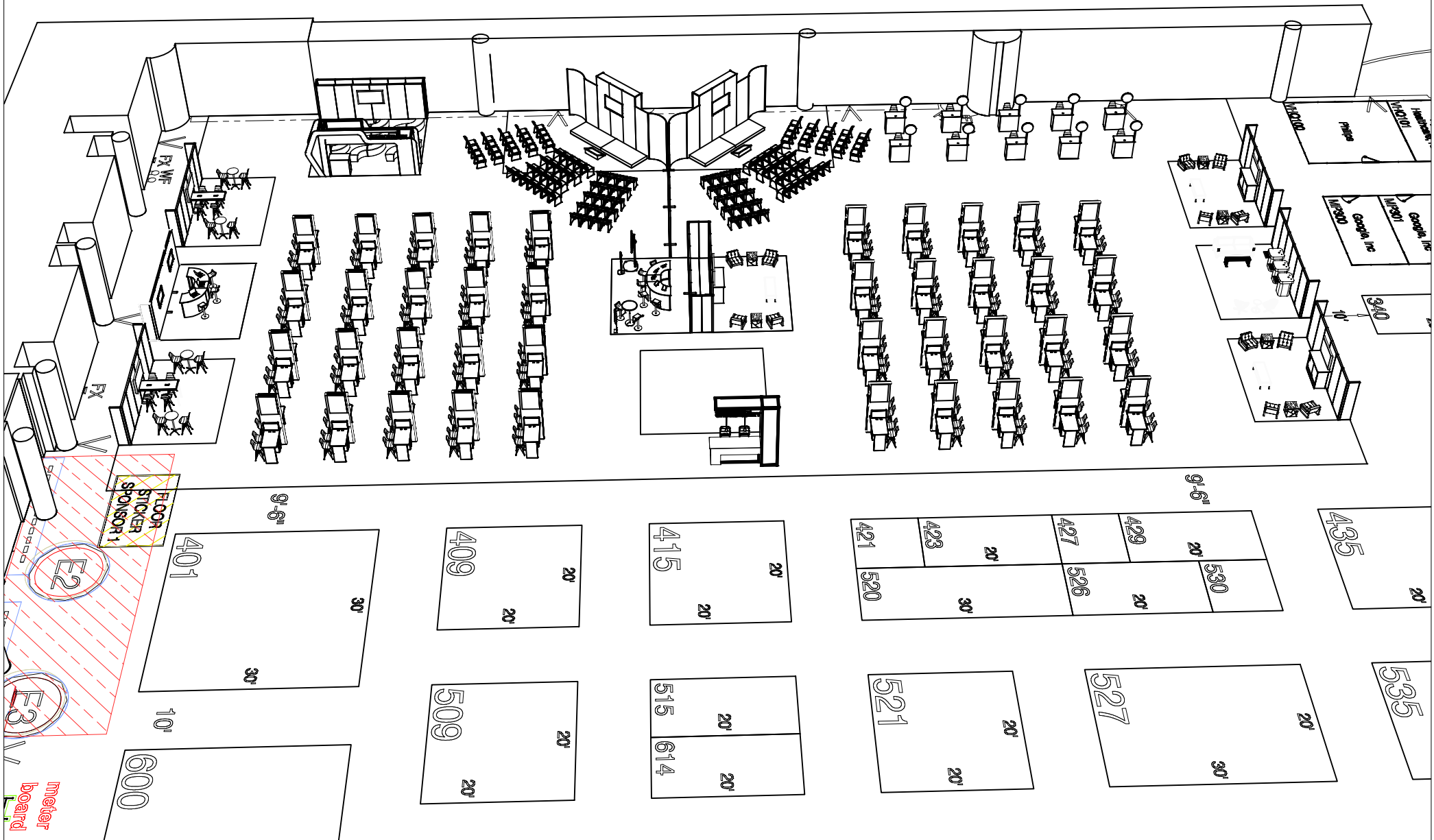
SHOW NAME HIMSS 2019  
 SHOW DATE 2/12/2019  
 SHOW LOCATION OCCC

SALES CONTACT Sarah Johnston  
 JOB NUMBER 452520  
 LINE ITEM NUMBER 4586511

CREATED BY A Mendoza | K Kraymer  
 DATE 1/25/2019  
 REVISED 1/25/2019  
 PRODUCING BRANCH Chicago

FILE NAME C:/Users/mendoza/Desktop/ALVINS STUFF/JOBS 2019/02 FEB/HIMSS(453530)/Cybersecurity/CAD/HIMSS19 Cyber Security 4586511 DES.dwg

The text, graphics, designs, logos, data compilations and information ("Content") contained in this Proposal are owned or controlled by Freeman and are protected by United States and international copyright and trade secret laws. Modification or reproduction of any purpose is strictly prohibited.



**FREEMAN**

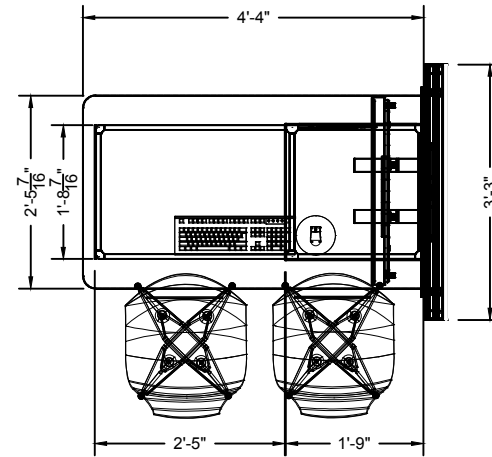
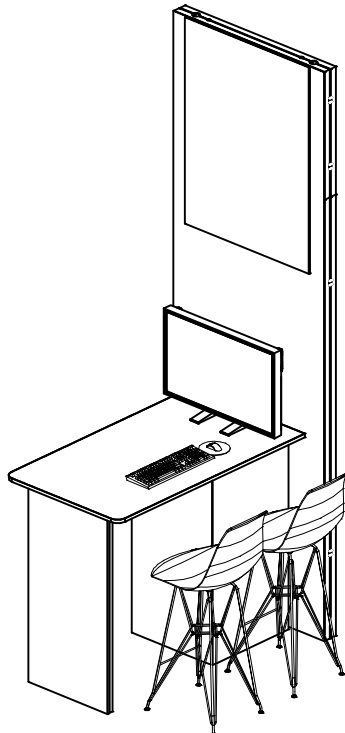
PROJECT Cyber Security  
 BOOTH # MGMT

SHOW NAME HIMSS 2019  
 SHOW DATE 2/12/2019  
 SHOW LOCATION OCCC

SALES CONTACT Sarah Johnston  
 JOB NUMBER 452520  
 LINE ITEM NUMBER 4586511

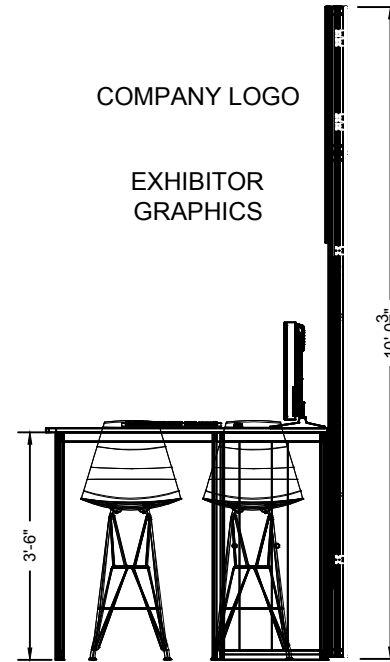
CREATED BY A Mendoza | K Krayer  
 ORDER DATE 1/25/2019  
 REVISED 1/25/2019  
 PRODUCING BRANCH Chicago

FILE NAME C:/Users/mendoza/Desktop/ALVINS STUFF/JOBS 2019/02 FEB/HIMSS(453530)/Cybersecurity/CAD/HIMSS19 Cyber Security 4586511 DES.dwg



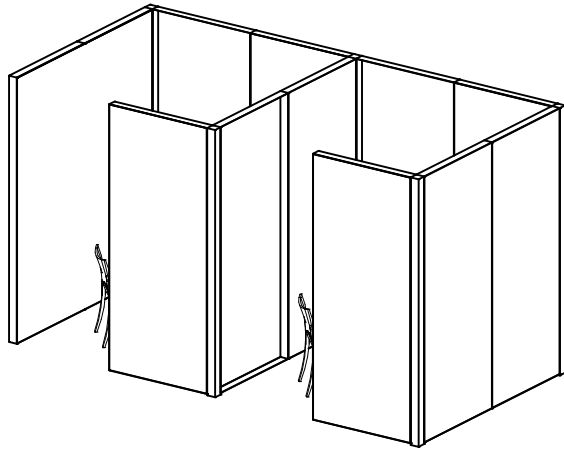
COMPANY LOGO

EXHIBITOR GRAPHICS

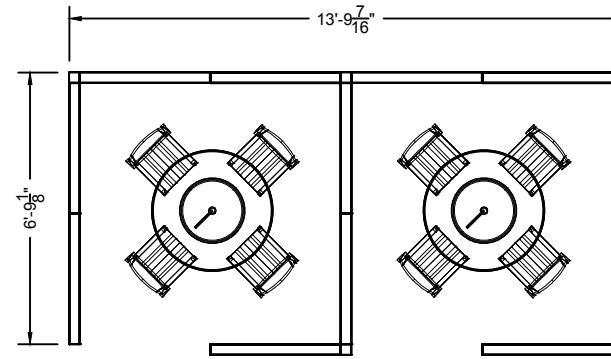


KIOSK									
I.D.	Qty	Type	Size	Area (SqFt)	Part Number	Description	Material	Color	Notes
	2	P50	42"			3'-6" (42")	Aluminum	Silver	
	4	P31	42"			3'-6" (42")	Aluminum	Silver	
	2	H45	6"			6"	Aluminum	Silver	
	4	H45	17-7/8"			1/2M	Aluminum	Silver	
	4	H45	47-3/8"			1-1/4M	Aluminum	Silver	
	1	H45	48"			48"	Aluminum	Silver	
	4	H200	17-7/8"			1/2M	Aluminum	Silver	
	4	Wall Panel	18-3/8" x 33"	4.2		1/2M x 3'-6" (H45/H200)	PVC 3MM	White	
	1	Overlay Panel	19-11/16" x 42"	5.74		P50 C/1/2M/P31 CS, Remo Tape 1/16"	PVC 3MM	White	
	3	Overlay Panel	20-1/4" x 42"	5.91		P50 C/1/2M/P31 CL, Remo Tape 1/16"	PVC 3MM	White	
	2	Overlay Graphic Panel	12" x 40"			Overlay Graphic Panel	PVC	Graphic	
	4	Std. Cab. Door	24-1/2" x 22"	3.8		1-1/4M x 25-3/4" (H45/H45)	PVC 6MM	White	
	1	Counter Top	1M x 1-1/4M	16.03		Overlay Rectangle	Wood	White	
	2	Acrylic Counter Top	1-1/4M x 1/2M	6.37		Inset Rectangle	Plexi	Clear	
	4	Door Track	47-3/8"			HDT 1-1/4M	Standard	Standard	
	4	Door Track	21-1/4"			VDT 25-3/4" (H45/H45)	Standard	Standard	
	2	Electronics	22" x 15-5/16" x 7-11/16"			Dell 24" Flat Panel Monitor	Standard	Black	
	1	SP Blackout	38-1/8" x 92-1/8"	24.39		Inset Inside Beading	PVC	Gray	
	2	SP Fabric	38 1/2" x 92 1/2"	24.73		Fabric with Beading	Triple White	Graphic	
	1	SP Frame	39" x 93"			8' Full SmartPanel Frame	Aluminum	Silver	
	4	Seating	18" x 17.75" x 44"	0		Limerick Stool	Plastic	Gray	

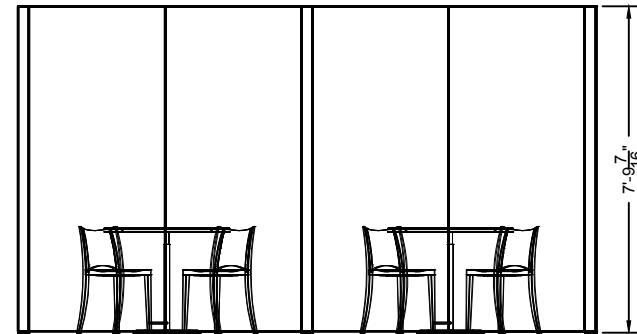
UNIT TO BE ORDERED ON SEPARATE LINE ITEM



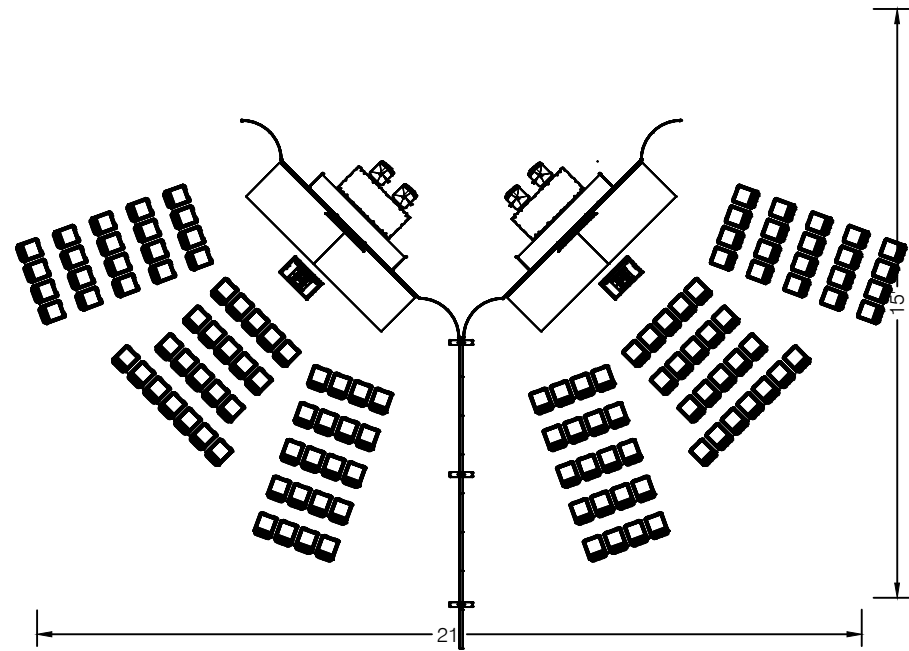
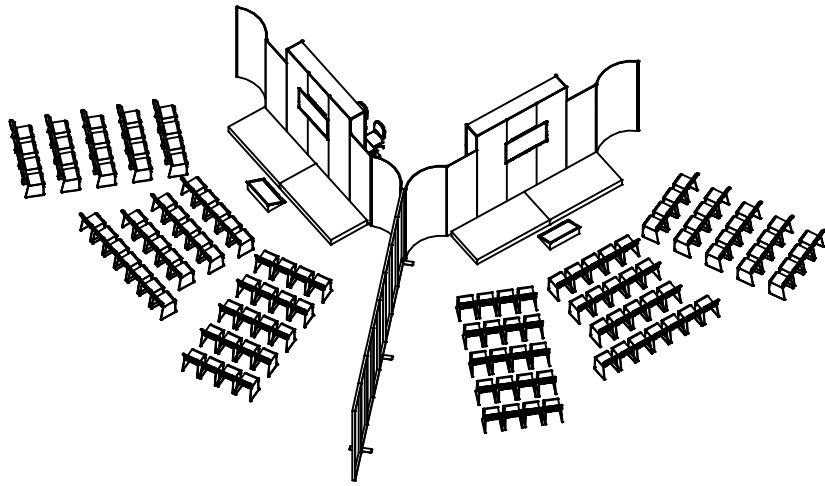
ALL WHITE PVC PANELS



ID	Qty	Type	Size	Area (SqFt)	Part Number	Description	Material	Color	Notes
sponsor area									
4		P31	42"			3'-6" (42")	Aluminum	Silver	
2		PS3.5 (Vert.)	24"			2'-0"	Aluminum	Silver	
4		PS3.5 (Vert.)	96"			8'-0"	Aluminum	Silver	
4		PS3.5 (Vert.)	120"			10'-0"	Aluminum	Silver	
4		PS3.5 (Hor.)	25-17/16"			3/4M	Aluminum	Silver	
8		PS3.5 (Hor.)	35-1/8"			1M	Aluminum	Silver	
2		PS3.5 (Hor.)	83-9/16"			2-1/4M	Aluminum	Silver	
2		PS3.5 (Hor.)	151-3/8"			4M	Aluminum	Silver	
4		H4.5	17-1/8"			1/2M	Aluminum	Silver	
4		H4.5	37-9/16"			1M	Aluminum	Silver	
2		Wall Panel	18-3/8" x 39"	5.0		1/2M x 3'-6" (H4.5/H4.5)	PVC 3MM	White	
2		Wall Panel	38-1/8" x 39"	10.3		1M x 3'-6" (H4.5/H4.5)	PVC 3MM	White	
2		Wall Panel	25-15/16" x 89-1/4"	16.1		3/4M x 8'-0" (PS3.5 H/PS3.5 H)	PVC 3MM	White	
2		Wall Panel	35-5/8" x 89-1/4"	22.1		1M x 8'-0" (PS3.5 H/PS3.5 H)	PVC 3MM	White	
2		Wall Panel	35-5/8" x 113-1/4"	28.0		1M x 10'-0" (PS3.5 H/PS3.5 H)	PVC 3MM	White	
1		Overlay Panel	20-9/16" x 42"	6.00		P31 CS/1/2M/P31 CS, Remo Tape 1/16"	PVC 3MM	White	
1		Overlay Panel	20-11/16" x 42"	6.03		P31 CL/1/2M/P31 CS, Remo Tape 1/16"	PVC 3MM	White	
1		Overlay Panel	40-3/8" x 42"	11.78		P31 CL/1M/P31 CS, Remo Tape 1/16"	PVC 3MM	White	
1		Overlay Panel	40-1/2" x 42"	11.81		P31 CL/1M/P31 CL, Remo Tape 1/16"	PVC 3MM	White	
3		Overlay Panel	38-13/16" x 96"	25.88		PS3.5 CL/1M/PS3.5 IL, Remo Tape 1/16"	PVC 3MM	White	
1		Overlay Panel	42-9/16" x 96"	28.38		PS3.5 CL/1M/PS3.5 CS, Remo Tape 1/16"	PVC 3MM	White	
1		Counter Top	1M x 1/2M	7.13		Overlay Rectangle	Wood	White	
1		Assembly	See detail			BACK WALL	See detail	See detail	
1		Assembly	See detail			CABINET	See detail	See detail	
1		Electronics	61"			61"-Plasma Screen	Standard	Standard	
12		Offmans	53" x 22" x 18"	0		Banquette, Quarter Curve Ottoman	Vinyl	White	



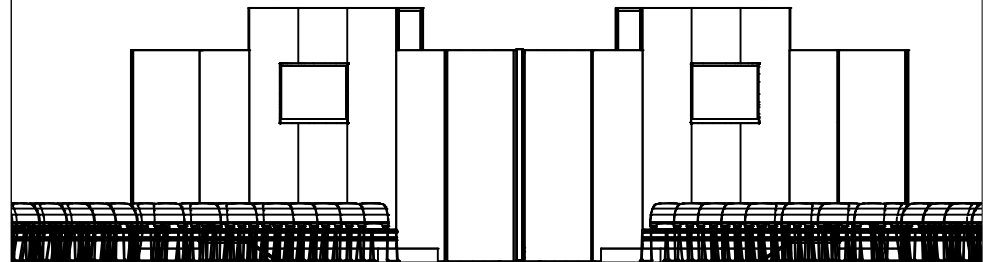
UNIT TO BE ORDERED ON SEPARATE LINE ITEM



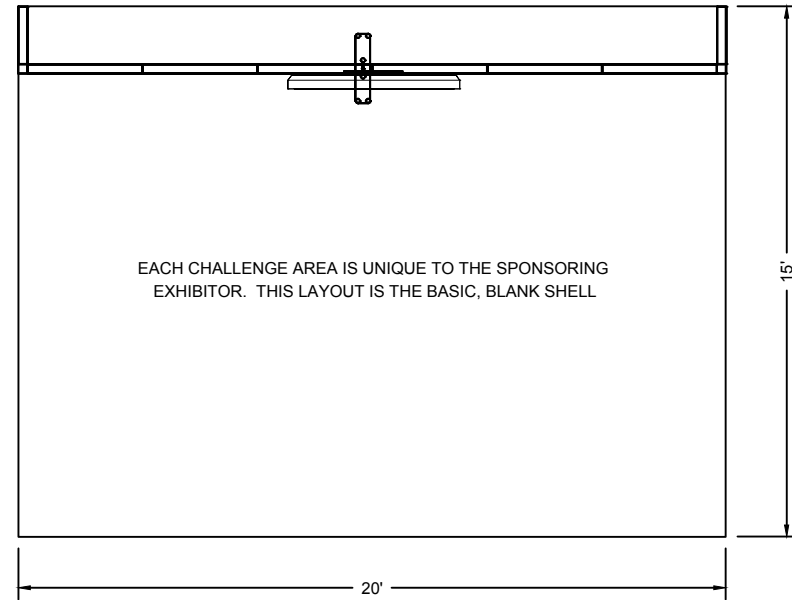
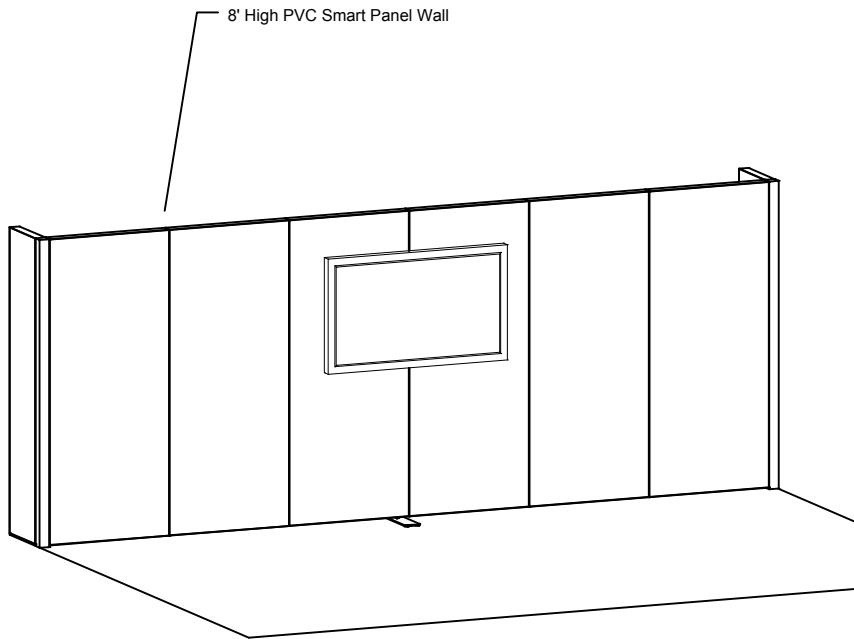
THEATER

I.D.	Qty	Type	Size	Area (SqFt)	Part Number	Description	Material	Color	Notes
4		P80	144"			12'-0"	Aluminum	Silver	
3		P50	120"			10'-0"	Aluminum	Silver	
8		P50	144"			12'-0"	Aluminum	Silver	
7		P40	120"			10'-0"	Aluminum	Silver	
1		H45	3"			3"	Aluminum	Silver	
4		H45	17-7/8"			1/2M	Aluminum	Silver	
10		H45	37-9/16"			1M	Aluminum	Silver	
1		H200	3"			3"	Aluminum	Silver	
4		H200	17-7/8"			1/2M	Aluminum	Silver	
10		H200	37-9/16"			1M	Aluminum	Silver	
4		CH45	60-1/8"			200cm	Aluminum	Silver	
4		CH200	60-1/8"			200cm	Aluminum	Silver	
1		Wall Panel	3-1/2" x 111"	2.7		3" x 10'-0" (H45/H200)	PVC 3MM	White	
4		Wall Panel	38-1/8" x 111"	29.4		1M x 10'-0" (H45/H200)	PVC 3MM	White	
4		Wall Panel	60-5/8" x 111"	46.8		200cm x 10'-0" (CH45/CH200)	PVC 3MM	White	
4		Wall Panel	18-3/8" x 135"	17.3		1/2M x 12'-0" (H45/H200)	PVC 3MM	White	
6		Wall Panel	38-1/8" x 135"	35.7		1M x 12'-0" (H45/H200)	PVC 3MM	White	
1		Overlay Panel	38-15/16" x 120"	32.45		P50 C/1M/P31 IL, Remo Tape 1/16"	PVC 3MM	White	
6		Overlay Panel	39-3/8" x 120"	32.81		P50 C/1M/P50 C, Remo Tape 1/16"	PVC 3MM	White	
3		Overlay Panel	39-15/16" x 120"	33.28		P50 C/1M/P31 CL, Remo Tape 1/16"	PVC 3MM	White	
2		Overlay Panel	60-9/16" x 120"	50.47		P31 /200cm, Remo Tape 1/16"	PVC 3MM	White	
2		Overlay Panel	60-9/16" x 120"	50.47		P31 L/200cm, Remo Tape 1/16"	PVC 3MM	White	
2		Electronics	39-1/2" x 1-3/4" x 24-3/4"			42" LCD Monitor w/ Wall Bracket	Standard	Black	
2		Electronics	54-5/16" x 3" x 33-1/2"			60" LCD Monitor w/ Wall Bracket	Standard	Black	
2		Drape Tables	72" x 30" x 30"			6x30x30 Drape Table	Standard	Standard	
8		SP Blackout	38-1/8" x 119-1/8"	31.54		Insert Inside Beading	PVC	Gray	
3		SP Foot	23-5/8" x 4-15/16"	0		24" Foot	Aluminum	Silver	
8		SP Frame	39" x 120"			10' Full SmartPanel Frame	Aluminum	Silver	
4		Seating	26" x 20" x 38"			Gray Gaslift Chair - without Arms	Fabric	Gray	
45		Seating	18" x 17.75" x 33"			Limerick Chair	Plastic	Gray	

I.D.	Qty	Type	Size	Area (SqFt)	Part Number	Description	Material	Color	Notes
4		P80	144"			12'-0"	Aluminum	Silver	
3		P50	120"			10'-0"	Aluminum	Silver	
8		P50	144"			12'-0"	Aluminum	Silver	
7		P40	120"			10'-0"	Aluminum	Silver	
1		H45	3"			3"	Aluminum	Silver	
4		H45	17-7/8"			1/2M	Aluminum	Silver	
10		H45	37-9/16"			1M	Aluminum	Silver	
1		H200	3"			3"	Aluminum	Silver	
4		H200	17-7/8"			1/2M	Aluminum	Silver	
10		H200	37-9/16"			1M	Aluminum	Silver	
4		CH45	60-1/8"			200cm	Aluminum	Silver	
4		CH200	60-1/8"			200cm	Aluminum	Silver	
1		Wall Panel	3-1/2" x 111"	2.7		3" x 10'-0" (H45/H200)	PVC 3MM	White	
4		Wall Panel	38-1/8" x 111"	29.4		1M x 10'-0" (H45/H200)	PVC 3MM	White	
4		Wall Panel	60-5/8" x 111"	46.8		200cm x 10'-0" (CH45/CH200)	PVC 3MM	White	
4		Wall Panel	18-3/8" x 135"	17.3		1/2M x 12'-0" (H45/H200)	PVC 3MM	White	
6		Wall Panel	38-1/8" x 135"	35.7		1M x 12'-0" (H45/H200)	PVC 3MM	White	
1		Overlay Panel	38-15/16" x 120"	32.45		P50 C/1M/P31 IL, Remo Tape 1/16"	PVC 3MM	White	
6		Overlay Panel	39-3/8" x 120"	32.81		P50 C/1M/P50 C, Remo Tape 1/16"	PVC 3MM	White	
3		Overlay Panel	39-15/16" x 120"	33.28		P50 C/1M/P31 CL, Remo Tape 1/16"	PVC 3MM	White	
2		Overlay Panel	60-9/16" x 120"	50.47		P31 /200cm, Remo Tape 1/16"	PVC 3MM	White	
2		Overlay Panel	60-9/16" x 120"	50.47		P31 L/200cm, Remo Tape 1/16"	PVC 3MM	White	
2		Electronics	39-1/2" x 1-3/4" x 24-3/4"			42" LCD Monitor w/ Wall Bracket	Standard	Black	
2		Electronics	54-5/16" x 3" x 33-1/2"			60" LCD Monitor w/ Wall Bracket	Standard	Black	
2		Drape Tables	72" x 30" x 30"			6x30x30 Drape Table	Standard	Standard	
8		SP Blackout	38-1/8" x 119-1/8"	31.54		Insert Inside Beading	PVC	Gray	
3		SP Foot	23-5/8" x 4-15/16"	0		24" Foot	Aluminum	Silver	
8		SP Frame	39" x 120"			10' Full SmartPanel Frame	Aluminum	Silver	
4		Seating	26" x 20" x 38"			Gray Gaslift Chair - without Arms	Fabric	Gray	
45		Seating	18" x 17.75" x 33"			Limerick Chair	Plastic	Gray	

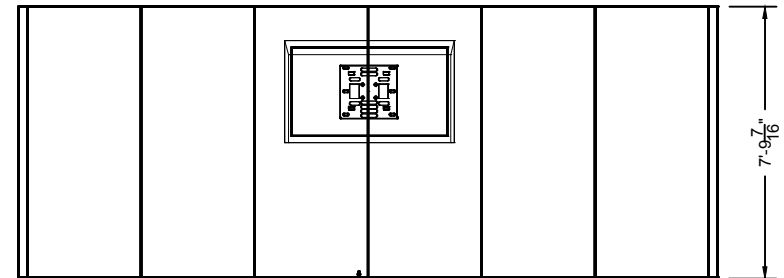


UNIT TO BE ORDERED ON SEPARATE LINE ITEM



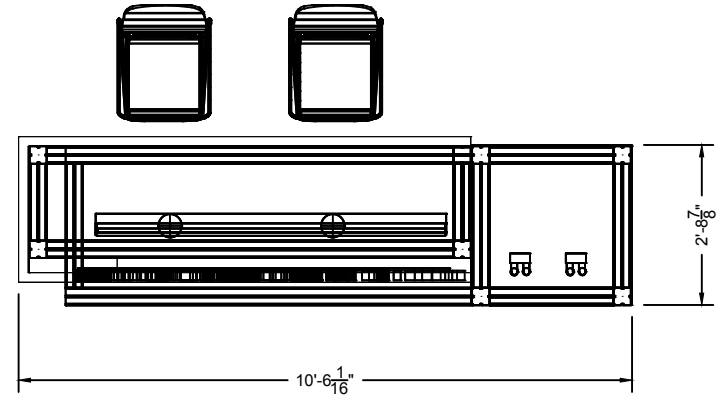
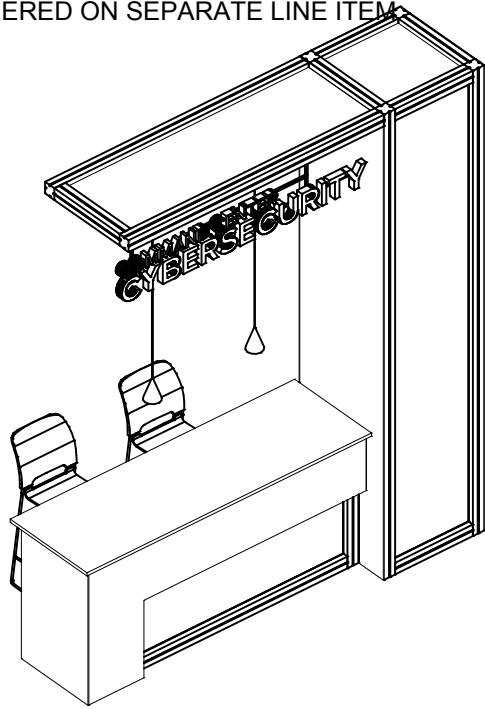
CHALLENGE AREA

ID.	Qty	Type	Size	Area (SqFt)	Part Number	Description	Material	Color	Notes
1	1	Electronics	61"			61"-Plasma Screen	Standard	Standard	
2	2	PV80	3-5/32" x 3-5/32" x 93-1/2"			93-1/2"	Aluminum	Silver	
1	1	SP Foot	23-5/8" x 4-15/16"	0		24" Foot	Aluminum	Silver	
6	6	SP Frame	39" x 93"			8' Full SmartPanel Frame	Aluminum	Silver	
2	2	SP Frame	19-1/2" x 93"			8' Half SmartPanel Frame	Aluminum	Silver	
4	4	SP Panel	19-1/8" x 92-5/8"	12.30		Panel From Edge to Edge	PVC	White	
12	12	SP Panel	38-5/8" x 92-5/8"	24.64		Panel From Edge to Edge	PVC	White	



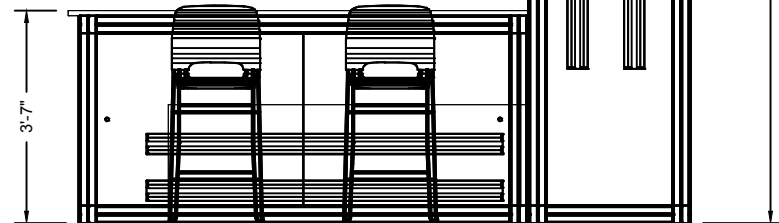
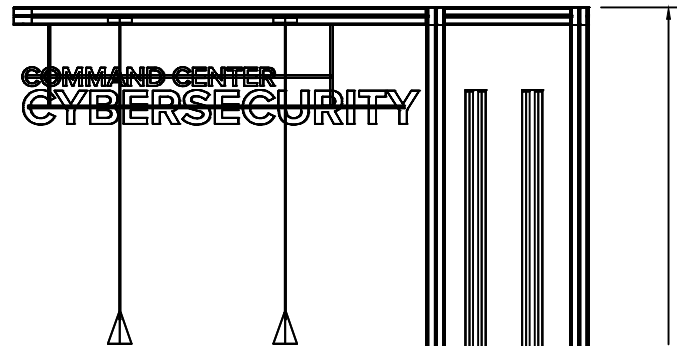


UNIT TO BE ORDERED ON SEPARATE LINE ITEM

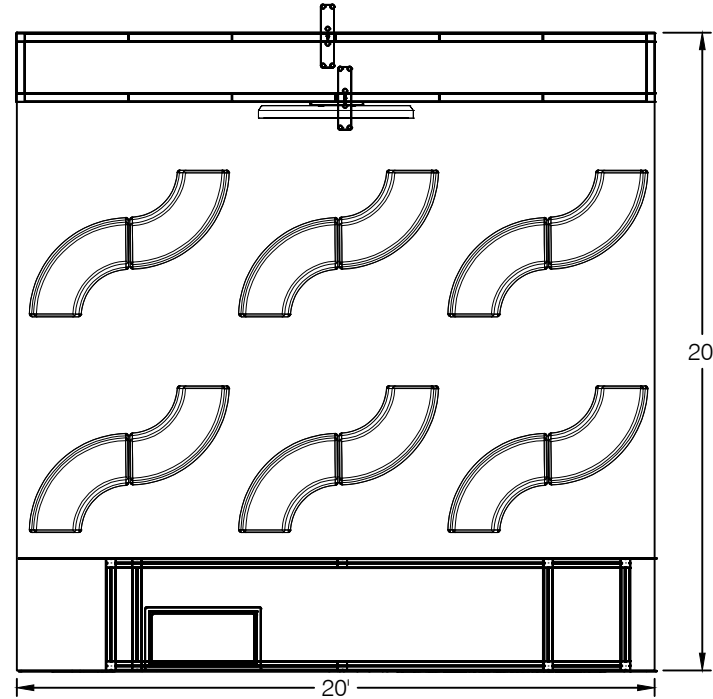
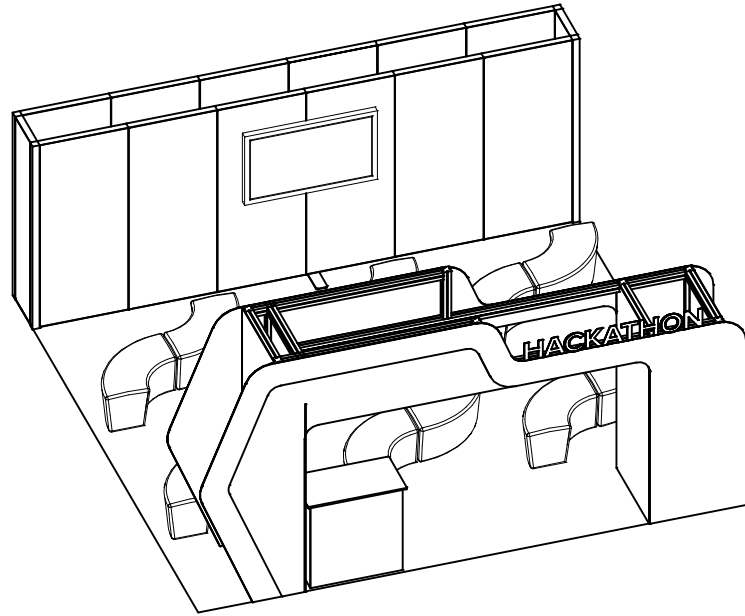


TWO UNITS: ONE LIKE THIS AND ONE MIRRORED

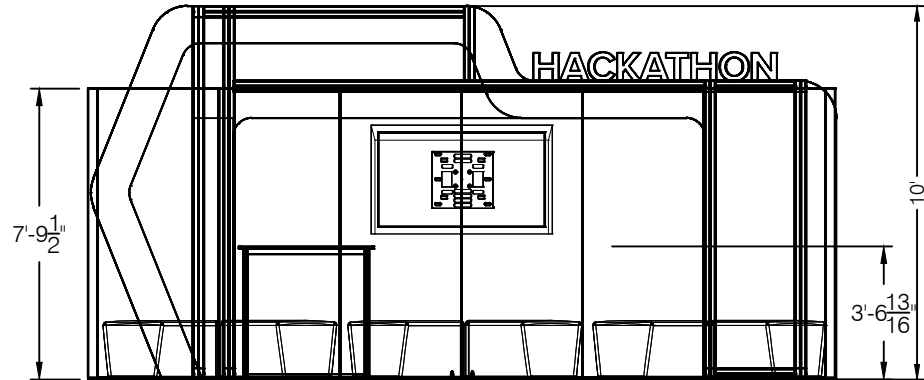
RECEPTION COUNTER									
ID.	Qty	Type	Size	Area (SqFt)	Part Number	Description	Material	Color	Notes
4		PS3.5 (Vert.)	42"			3'-6" (42")	Aluminum	Silver	
4		PS3.5 (Vert.)	144"			12'-0"	Aluminum	Silver	
1		PS3.5 (Hor.)	1/4"			1/4"	Aluminum	Silver	
4		PS3.5 (Hor.)	15-3/4"			1/2M	Aluminum	Silver	
9		PS3.5 (Hor.)	25-7/16"			3/4M	Aluminum	Silver	
6		PS3.5 (Hor.)	83-9/16"			2-1/4M	Aluminum	Silver	
2		Wall Panel	16-1/4" x 35-1/4"	4.0		1/2M x 3'-6" (PS3.5 H/PS3.5 H)	PVC 3MM	White	
1		Wall Panel	84-1/16" x 35-1/4"	20.6		2-1/4M x 3'-6" (PS3.5 H/PS3.5 H)	PVC 3MM	White	
4		Wall Panel	25-15/16" x 137-1/4"	24.7		3/4M x 12'-0" (PS3.5 H/PS3.5 H)	PVC 3MM	White	
1		Std. Cab. Door	43-1/4" x 34-9/16"	10.1		2-1/4M x 42" (PS3.5 (Hor.)/PS3.5 (Hor.))	PVC	White	
1		Std. Cab. Door	43-1/4" x 34-9/16"	10.1		2-1/4M x 42" (PS3.5 (Hor.)/PS3.5 (Hor.))	PVC 6MM	White	
2		Door Track	86-3/4"			HDT 2-1/4M	Standard	Standard	
2		Door Track	33-13/16"			VDT 42" (PS3.5 (Hor.)/PS3.5 (Hor.))	Standard	Standard	
2		Lighting	72"			Face Mount Fluorescent-6'-0"	Standard	Standard	
2		Lighting	96"			Face Mount Fluorescent-8'-0"	Standard	Standard	
2		Select Furniture	16.75" x 16" x 37.75"		810815	ICE Barstool	Standard	Transparent, Chrome	

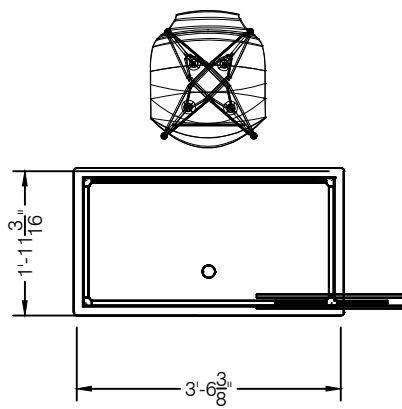
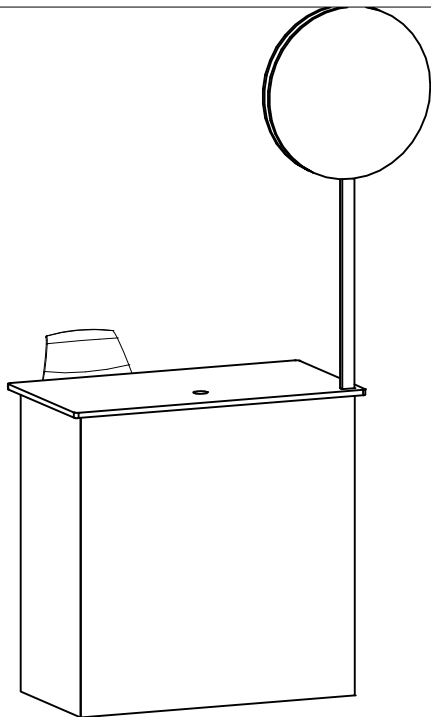


UNIT TO BE ORDERED ON SEPARATE LINE ITEM



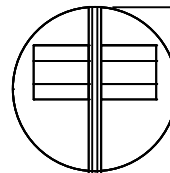
SPONSOR AREA									
ID	Qty	Type	Size	Area (SqFt)	Part Number	Description	Material	Color	Notes
2		P80	42"			3'-6" (42")	Aluminum	Silver	
2		P31	42"			3'-6" (42")	Aluminum	Silver	
4		P40	42"			3'-6" (42")	Aluminum	Silver	
2		H45	12-1/8"			1/4MD	Aluminum	Silver	
4		H45	17-7/8"			1/2M	Aluminum	Silver	
2		H45	31-9/16"			1M	Aluminum	Silver	
2		H45	39-15/16"			3/4MD	Aluminum	Silver	
2		H200	12-1/8"			1/4MD	Aluminum	Silver	
4		H200	17-7/8"			1/2M	Aluminum	Silver	
2		H200	31-9/16"			1M	Aluminum	Silver	
2		H200	39-15/16"			3/4MD	Aluminum	Silver	
2		Overlay Panel	13-3/16" x 42"	3.85		P40 CL/1/4MD, Remo Tape 1/16"	PVC 3MM	White	
2		Overlay Panel	19-1/16" x 42"	5.67		P31 IL/1/2M/P40 CL, Remo Tape 1/16"	PVC 3MM	White	
1		Overlay Panel	39-11/16" x 42"	11.58		P40 CL/1M/P40 CL, Remo Tape 1/16"	PVC 3MM	White	
1		Overlay Panel	40-3/8" x 42"	11.78		P31 CL/1M/P40 CS, Remo Tape 1/16"	PVC 3MM	White	
2		Overlay Panel	42-5/16" x 42"	12.34		P31 T/3/4MD/P40 CL, Remo Tape 1/16"	PVC 3MM	White	
2		Std. Cab. Door	20-5/16" x 32"	4.2		1M x 42" (H45/H200)	PVC 6MM	White	
2		Counter Top	1M x 1/2M	5.08		Inset Rectangle	Wood	White	
1		Counter Top	1M x 1/2M	7.13		Overlay Rectangle	Wood	White	
2		Door Track	31-9/16"			HDT 1M	Standard	Standard	
2		Door Track	31-9/16"			VDT 42" (H45/H200)	Standard	Standard	
3		Electronics	28-7/8" x 2" x 16-7/8"			32" LCD Monitor w/ Table Stand	Standard	Black	
1		Electronics	61"			61" Plasma Screen	Standard	Standard	
3		Electronics	14-13/16" x 10-1/16" x 1-7/16"	0		Dell Precision M4600	Standard	Black	
3		Exhibit Furniture	28" x 28" x 40.5"		N75079	Orion Computer Kiosk	Laminate	Black	
4		PV80	3-5/32" x 3-5/32" x 93-1/2"			93-1/2"	Aluminum	Silver	
2		SP Foot	23-5/8" x 4-15/16"	0		24" Foot	Aluminum	Silver	
12		SP Frame	39" x 93"			8' Full SmartPanel Frame	Aluminum	Silver	
2		SP Frame	19-1/2" x 93"			8' Half SmartPanel Frame	Aluminum	Silver	
4		SP Panel	19-1/8" x 92-5/8"	12.30		Panel From Edge to Edge	PVC	White	
24		SP Panel	38-5/8" x 92-5/8"	24.34		Panel From Edge to Edge	PVC	White	
5		Seating	15" x 17" x 35"			Zoey Barstool, White	Vinyl	White	





THEATER							
ID.	Qty	Type	Size	Area (SqFt)	Part Number	Description	Material Color Notes
	2	P80	48"			4'-0"	Aluminum Silver
	8	P80	144"			12'-0"	Aluminum Silver
	1	P50	96"			8'-0"	Aluminum Silver
	7	P31	42"			3'-6" (42")	Aluminum Silver
	2	PS35 (Vert.)	24"			2'-0"	Aluminum Silver
	4	PS35 (Vert.)	96"			8'-0"	Aluminum Silver
	4	PS35 (Vert.)	120"			10'-0"	Aluminum Silver
	4	PS35 (Hor.)	25-3/16"			3/4M	Aluminum Silver
	8	PS35 (Hor.)	35-1/8"			1M	Aluminum Silver
	2	PS35 (Hor.)	83-9/16"			2-1/4M	Aluminum Silver
	2	PS35 (Hor.)	151-3/8"			4M	Aluminum Silver
	8	H45	17-7/8"			1/2M	Aluminum Silver
	27	H45	37-9/16"			1M	Aluminum Silver
	2	H200	8"			1/4M	Aluminum Silver
	9	H200	37-9/16"			1M	Aluminum Silver
	2	Wall Panel	18-3/8" x 33"	5.0		1/2M x 3'-6" (H45/H45)	PVC 3MM White
	2	Wall Panel	38-1/8" x 33"	10.3		1M x 3'-6" (H45/H45)	PVC 3MM White
	10	Wall Panel	38-1/8" x 44-3/4"	12.4		1M x 4'-1-3/4" (H45/H45)	PVC 3MM White
	8	Wall Panel	38-1/8" x 87"	23.0		1M x 8'-0" (H45/H200)	PVC 3MM White
	2	Wall Panel	25-15/16" x 89-1/4"	16.1		3/4M x 8'-0" (PS35 H/PS35 H)	PVC 3MM White
	2	Wall Panel	35-5/8" x 89-1/4"	22.1		1M x 8'-0" (PS35 H/PS35 H)	PVC 3MM White
	2	Wall Panel	35-5/8" x 113-1/4"	28.0		1M x 10'-0" (PS35 H/PS35 H)	PVC 3MM White
	C	1	Overlay Panel	19-11/16" x 42"	5.74	P50 InsideL / 1/2M / P31 CornerS	PVC 3MM White
	D	1	Overlay Panel	20-11/16" x 42"	6.03	P31 CornerL / 1/2M / P31 CornerS	PVC 3MM White
	E	1	Overlay Panel	40-3/8" x 42"	11.78	P31 CornerL / 1M / P31 CornerS	PVC 3MM White
	F	1	Overlay Panel	40-13/16" x 42"	11.90	P50 End / 1M / P31 CornerL	PVC 3MM Graphic
	G	2	Overlay Panel	See Router File		Overlay Panel	Ultraboard Graphic
		1	Overlay Panel	20-9/16" x 42"	6.00	P31 CS/1/2M/P31 CS, Remo Tape 1/16"	PVC 3MM White
		1	Overlay Panel	20-11/16" x 42"	6.03	P31 CL/1/2M/P31 CS, Remo Tape 1/16"	PVC 3MM White
		1	Overlay Panel	40-3/8" x 42"	11.78	P31 CL/1M/P31 CS, Remo Tape 1/16"	PVC 3MM White
		1	Overlay Panel	40-1/2" x 42"	11.81	P31 CL/1M/P31 CL, Remo Tape 1/16"	PVC 3MM White
		3	Overlay Panel	38-13/16" x 96"	23.88	PS35 CL/1M/PS35 IL, Remo Tape 1/16"	PVC 3MM White
		1	Overlay Panel	42-9/16" x 96"	28.38	PS35 CL/1M/PS35 CS, Remo Tape 1/16"	PVC 3MM White
		2	Overlay Graphic Panel	160" x 144"	0	Overlay Graphic Panel	pvc TBD
		1	Overlay Graphic Panel	42" x 144"	0	Overlay Graphic Panel	pvc TBD
		2	Overlay Graphic Panel	42" x 64"	0	Overlay Graphic Panel	pvc TBD
		2	Std. Cab. Door	20" x 38"	5.0	1M x 42" (H45/H45)	PVC 6MM White
		1	Door	1M	NA	1M Standard MIS Door	Standard Standard
	CT1	1	Counter Top	1M x 1/2M	7.13	Overlay Rectangle	Wood White
	CT2	2	Counter Top	1M x 1/2M	5.08	Inset Rectangle	Wood White
		1	Counter Top	1M x 1/2M	7.13	Overlay Rectangle	Wood White
		2	Door Track	31-9/16"		HBT 1M	Standard Standard
		1	Electronics	61"		61"-Plasma Screen	Standard Standard
	12	Ottomans	53" x 22" x 18"			Banquette Quarter Curve Ottoman	Vinyl White

COMPANY LOGO



EXHIBITOR GRAPHICS

