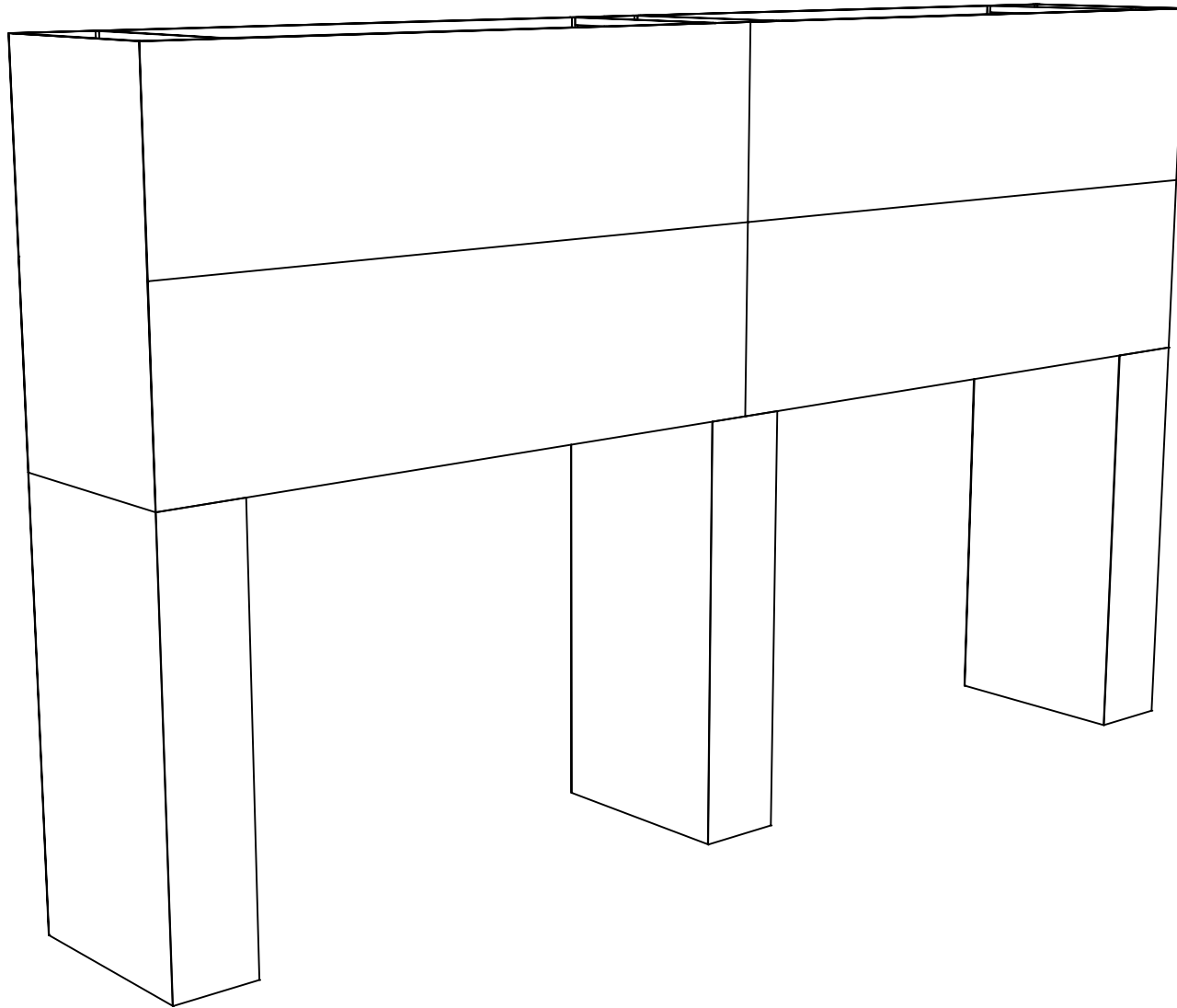
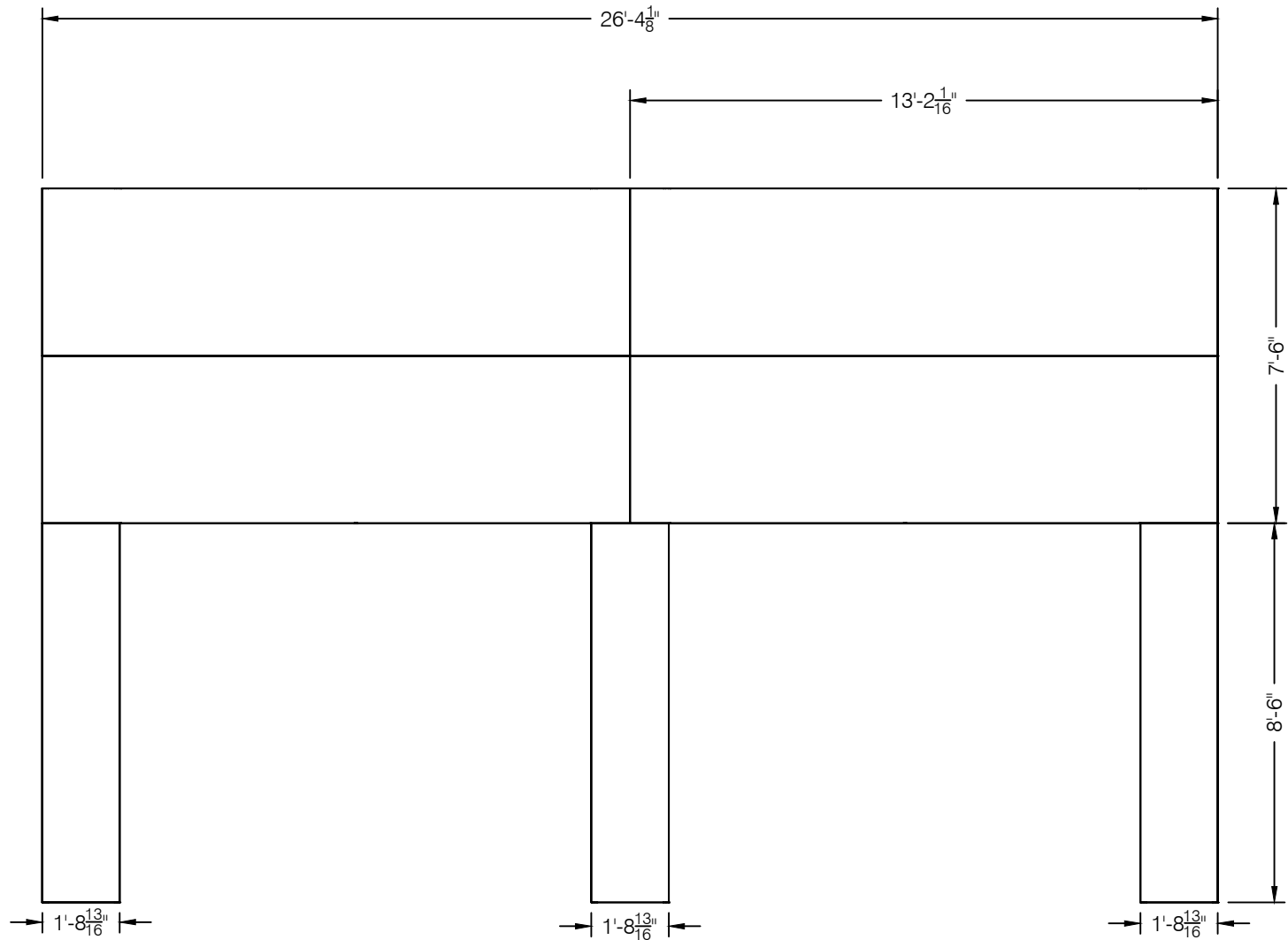


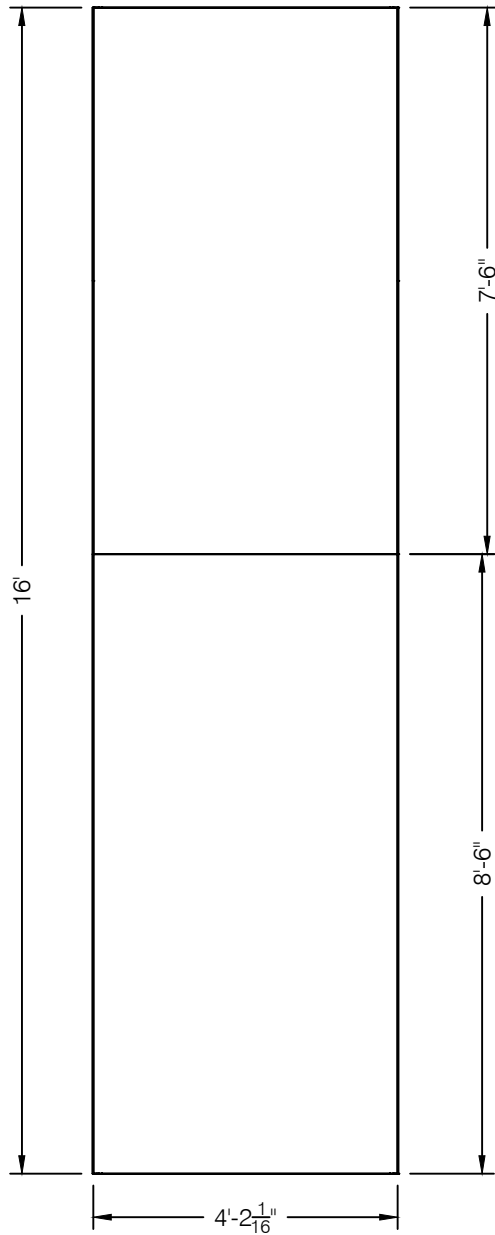
PERSPECTIVE Front Side



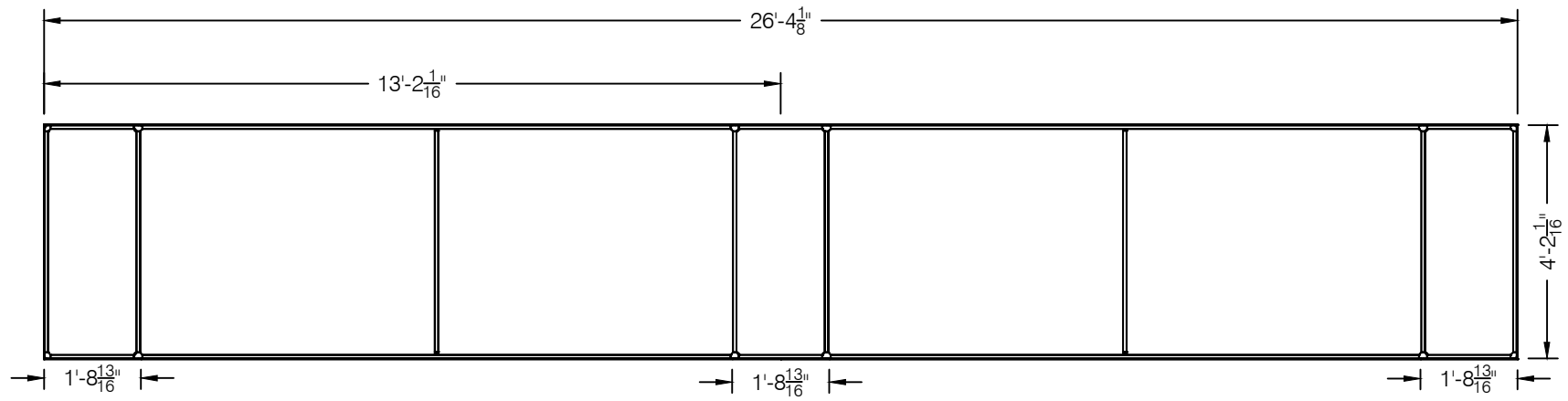
PERSPECTIVE Back side



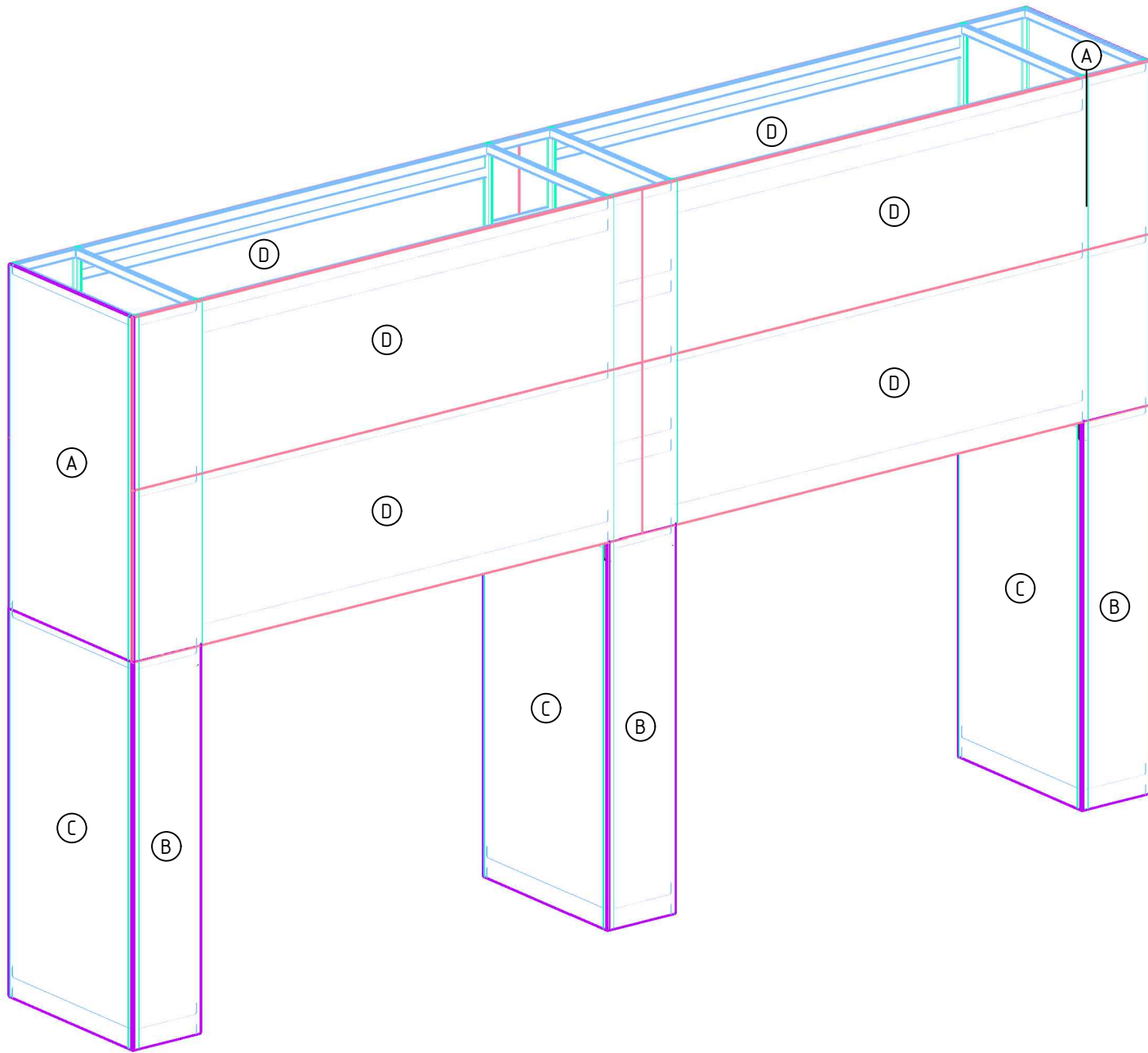
ELEVATION



ELEVATION Left Side



PLAN



LABELS

Unnamed5

I.D.	Qty	Type	Size	Area (SqFt)	Part Number	Description	Material	Color	Notes
	8	P50	90"			7'-6"	Aluminum	Silver	
	8	P31	102"			8'-6"	Aluminum	Silver	
	4	P31	192"			16'-0"	Aluminum	Silver	
	30	H45	17-7/8"			1/2M	Aluminum	Silver	
	15	H45	47-3/8"			1-1/4M	Aluminum	Silver	
	8	H45	126-1/16"			3-1/4M	Aluminum	Silver	
	10	H200	17-7/8"			1/2M	Aluminum	Silver	
	11	H200	47-3/8"			1-1/4M	Aluminum	Silver	
	8	H200	126-1/16"			3-1/4M	Aluminum	Silver	
A	2	Overlay Panel	50-1/16" x 90"	31.29		P31 CornerS / 1-1/4M x / P31 CornerS	PVC	Graphic	
B	7	Overlay Panel	20-13/16" x 102"	14.74		P31 CornerL / -1/2M x / P31 CornerL	PVC	Graphic	
C	6	Overlay Panel	50-1/16" x 102"	35.46		P31 CornerS / 1-1/4M x / P31 CornerS	PVC	Graphic	
D	8	Overlay Graphic Panel	1/8" x158-1/16x45"	0		Overlay Graphic Panel	PVC	Graphic	
E	4	Ceiling Panel	63-1/4" x 48-1/2"	0		Ceiling Panel	Foamcore	White	
	8	MiscPart	4-3/4" x 1/2"			External Splicer Plate	Steel	Silver	
	4	MiscPart	H200	0		H200 Hanger	Aluminum	Silver	
	8	MiscPart	10"			P31 Splicer	Aluminum	Silver	

PARTS LIST