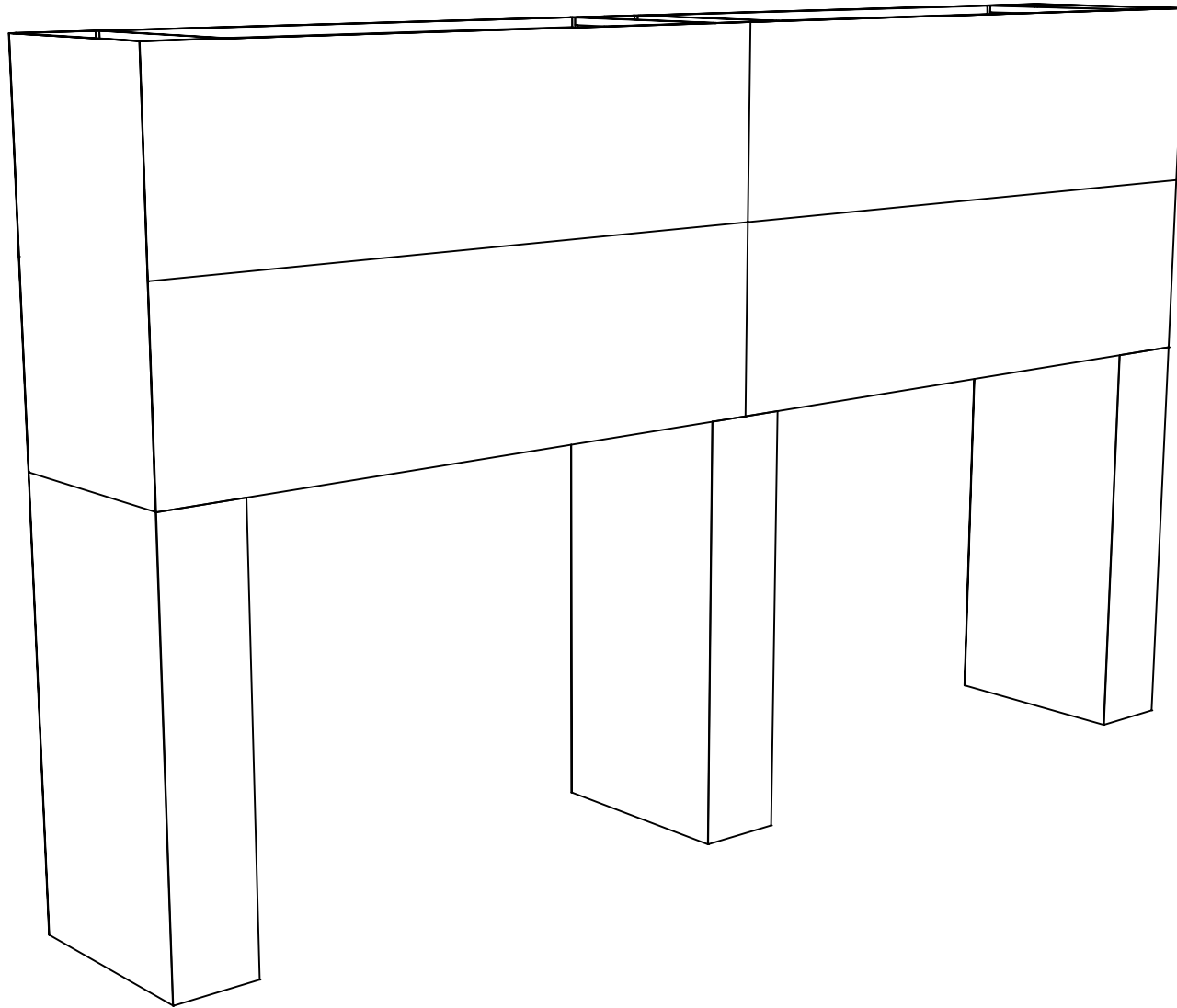
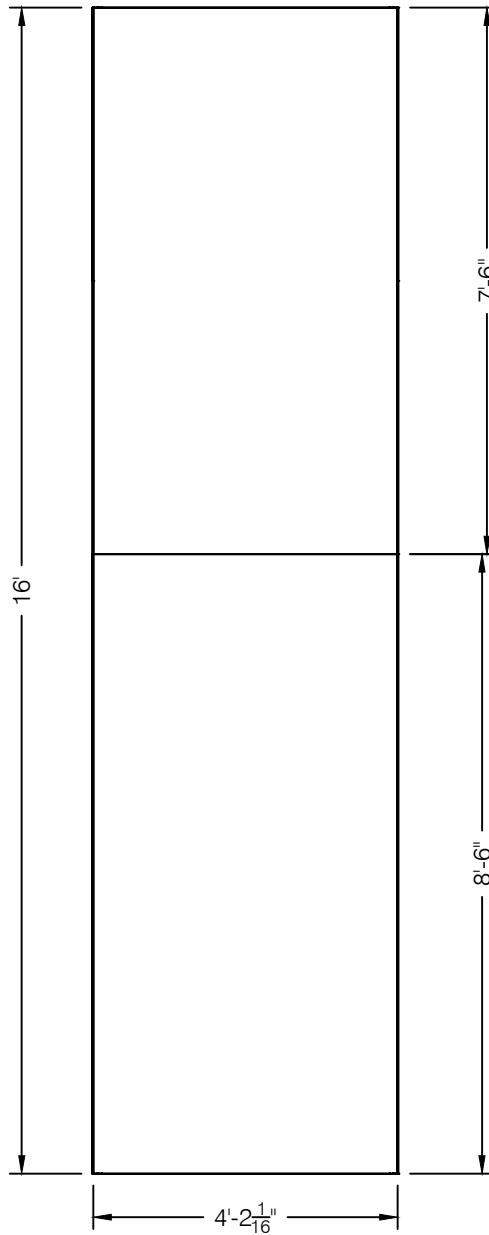


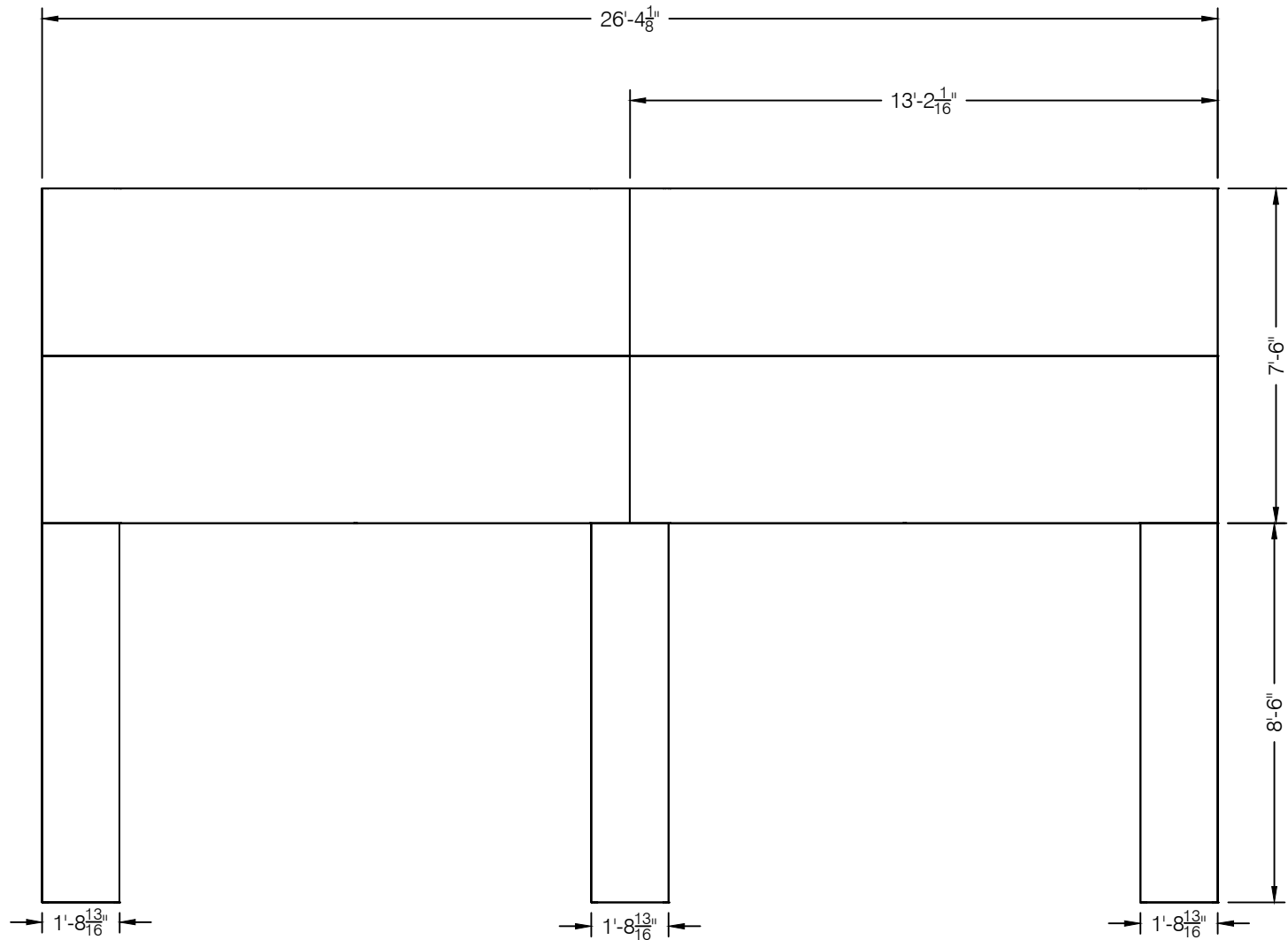
PERSPECTIVE Front Side



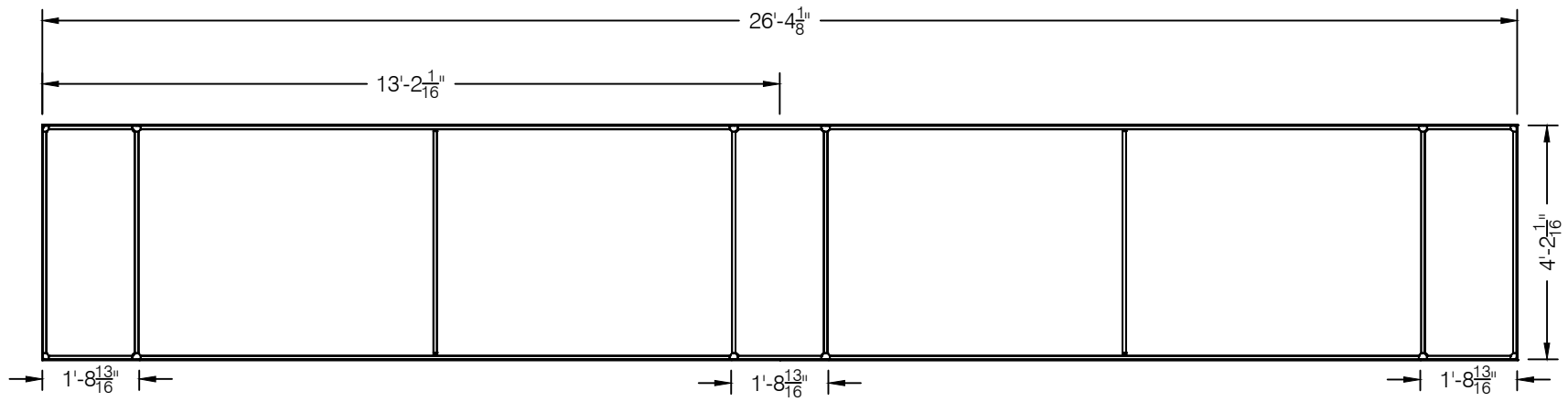
PERSPECTIVE Back side



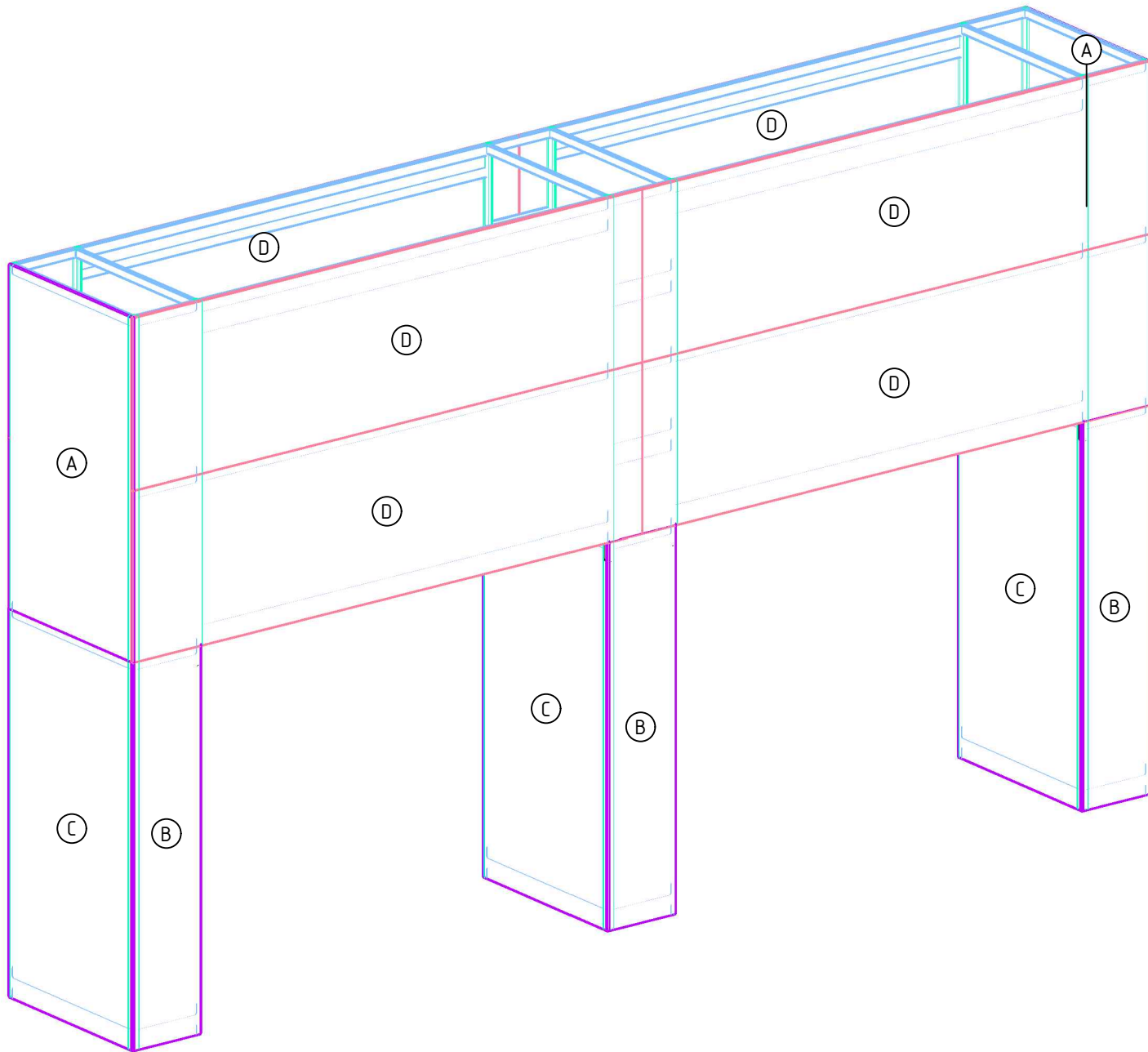
ELEVATION Left Side



ELEVATION



PLAN



LABELS

**F R E E M A N**

PROJECT Escalator Entrance S1  
 BOOTH # Booth Num

SHOW NAME IC2020  
 SHOW DATE 6/17/2020  
 SHOW LOCATION LVCC

SALES CONTACT Hillary Lloyd  
 JOB NUMBER 427502  
 LINE ITEM NUMBER 5860623

CREATED BY Steve Garber

CREATION DATE 9/30/2019  
 REVISED 9/30/2019  
 PRODUCING BRANCH Las Vegas

FILE NAME D:/InfoComm2020/CAD/IC 20 Escalator Entrance S1- 5860623 DESBW.dwg

The text, graphics, designs, logos, data compilations and information ("Content") contained in this Proposal are owned or controlled by Freeman and are protected by United States and international copyright and trade secret laws. Modification or reproduction of the Content for any purpose is strictly prohibited.

Labels

Unnamed5

I.D.	Qty	Type	Size	Area (SqFt)	Part Number	Description	Material	Color	Notes
	8	P50	90"			7'-6"	Aluminum	Silver	
	8	P31	102"			8'-6"	Aluminum	Silver	
	4	P31	192"			16'-0"	Aluminum	Silver	
	30	H45	17-7/8"			1/2M	Aluminum	Silver	
	15	H45	47-3/8"			1-1/4M	Aluminum	Silver	
	8	H45	126-1/16"			3-1/4M	Aluminum	Silver	
	10	H200	17-7/8"			1/2M	Aluminum	Silver	
	11	H200	47-3/8"			1-1/4M	Aluminum	Silver	
	8	H200	126-1/16"			3-1/4M	Aluminum	Silver	
A	2	Overlay Panel	50-1/16" x 90"	31.29		P31 CornerS / 1-1/4M x / P31 CornerS	PVC	Graphic	
B	7	Overlay Panel	20-13/16" x 102"	14.74		P31 CornerL / -1/2M x / P31 CornerL	PVC	Graphic	
C	6	Overlay Panel	50-1/16" x 102"	35.46		P31 CornerS / 1-1/4M x / P31 CornerS	PVC	Graphic	
D	8	Overlay Graphic Panel	1/8" x158-1/16x45"	0		Overlay Graphic Panel	PVC	Graphic	
E	4	Ceiling Panel	63-1/4" x 48-1/2"	0		Ceiling Panel	Foamcore	White	
	8	MiscPart	4-3/4" x 1/2"			External Splicer Plate	Steel	Silver	
	4	MiscPart	H200	0		H200 Hanger	Aluminum	Silver	
	8	MiscPart	10"			P31 Splicer	Aluminum	Silver	

PARTS LIST

**F R E E M A N**

PROJECT Escalator Entrance S1  
BOOTH # Booth Num

SHOW NAME IC2020  
SHOW DATE 6/17/2020  
SHOW LOCATION LVCC

SALES CONTACT Hillary Lloyd  
JOB NUMBER 427502  
LINE ITEM NUMBER 5860623

CREATED BY Steve Garber

CREATION DATE 9/30/2019  
REVISED 9/30/2019  
PRODUCING BRANCH Las Vegas

FILE NAME D:/InfoComm2020/CAD/IC 20 Escalator Entrance S1- 5860623 DESBW.dwg