

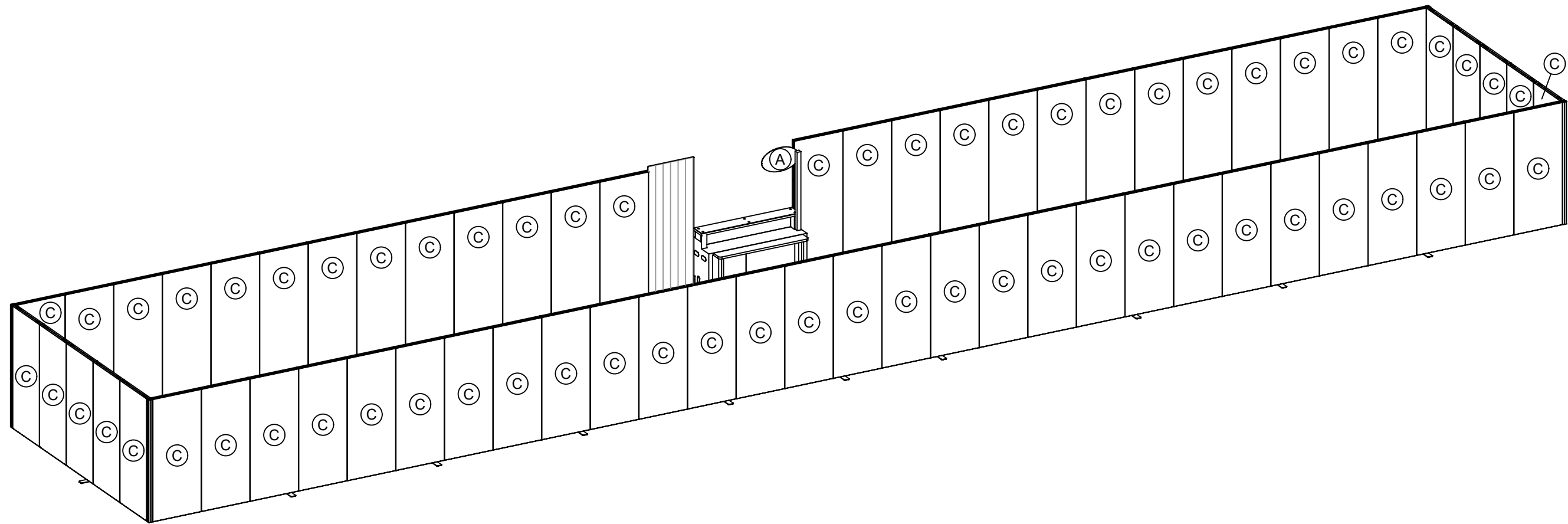
FRONT ISO VIEW

LESS THAN 30 DAYS OUT

* 0 0 0 1 - 1 0 2 9 - 0 *

MORE THAN 30 DAYS OUT

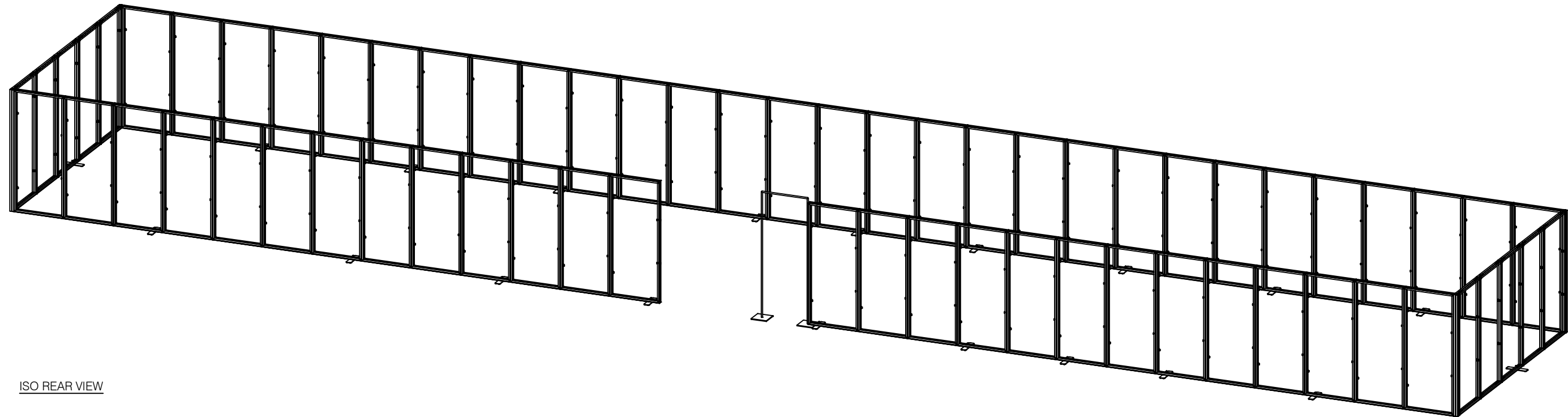
* 0 0 0 1 - 1 0 2 9 - 1 *



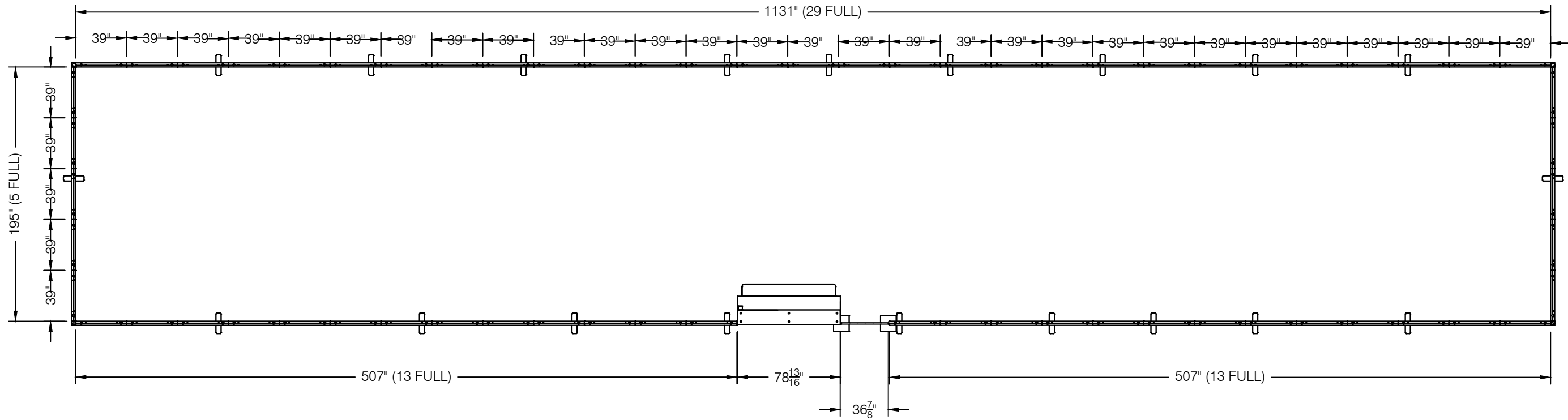
ISO REAR VIEW

PULL LIST

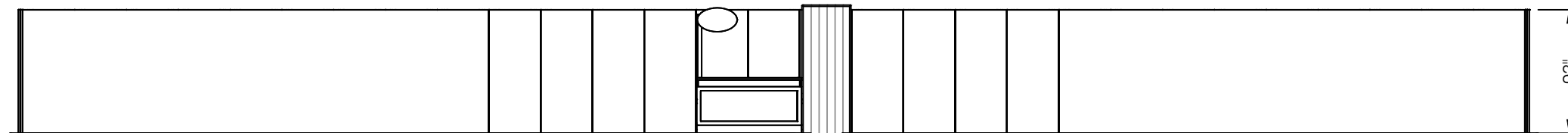
I.D.	Qty	Type	Size	Description	Material	Color
A	1	Overlay Graphic Panel	29-15/16" x 18"	Oval Header	Ultraboard	Graphic
	2	Drape	96"	8' Drape Post	Steel	Silver
	1	Drape	30" x 96"	4' x 8' Drape Panel	Banjo	Gray
	1	Drape	36"	Horizontal Drape Bar	Steel	Silver
	4	PV80	3-1/8" x 3-1/8" x 93"	SP PV80 - 93"	Aluminum	Silver
	20	SP FOOT	13-13/16" x 3-15/16" x 2-3/4"	SP 16" BASE	Aluminum	Silver
	65	SP FRAME	39" x 3-1/8" x 93"	SP 39" X 93" FRAME	Aluminum	Silver
D	2	SP Fabric	350-1/2" x 92-1/2"	SP 351" X 93" Default Fabric - Graphic	Default Fabric	Graphic
C	112	SP PANEL	38-5/8" x 92-5/8"	SP 39" X 93" PVC 3MM - Black	PVC 3MM	Black
	1	SmartCounter Counter	78-3/4" x 31" x 42"	Base Counter Counter	Prebuilt	R0 G255 B255
	1	SmartCounter Counter Top	78-3/4" x 11-1/2"	Std. Counter Top	1/4" Acrylic	Clear
E	1	SmartCounter Graphic	72-11/16" x 23-3/16"	Inset Panel	PVC 3MM	Graphic



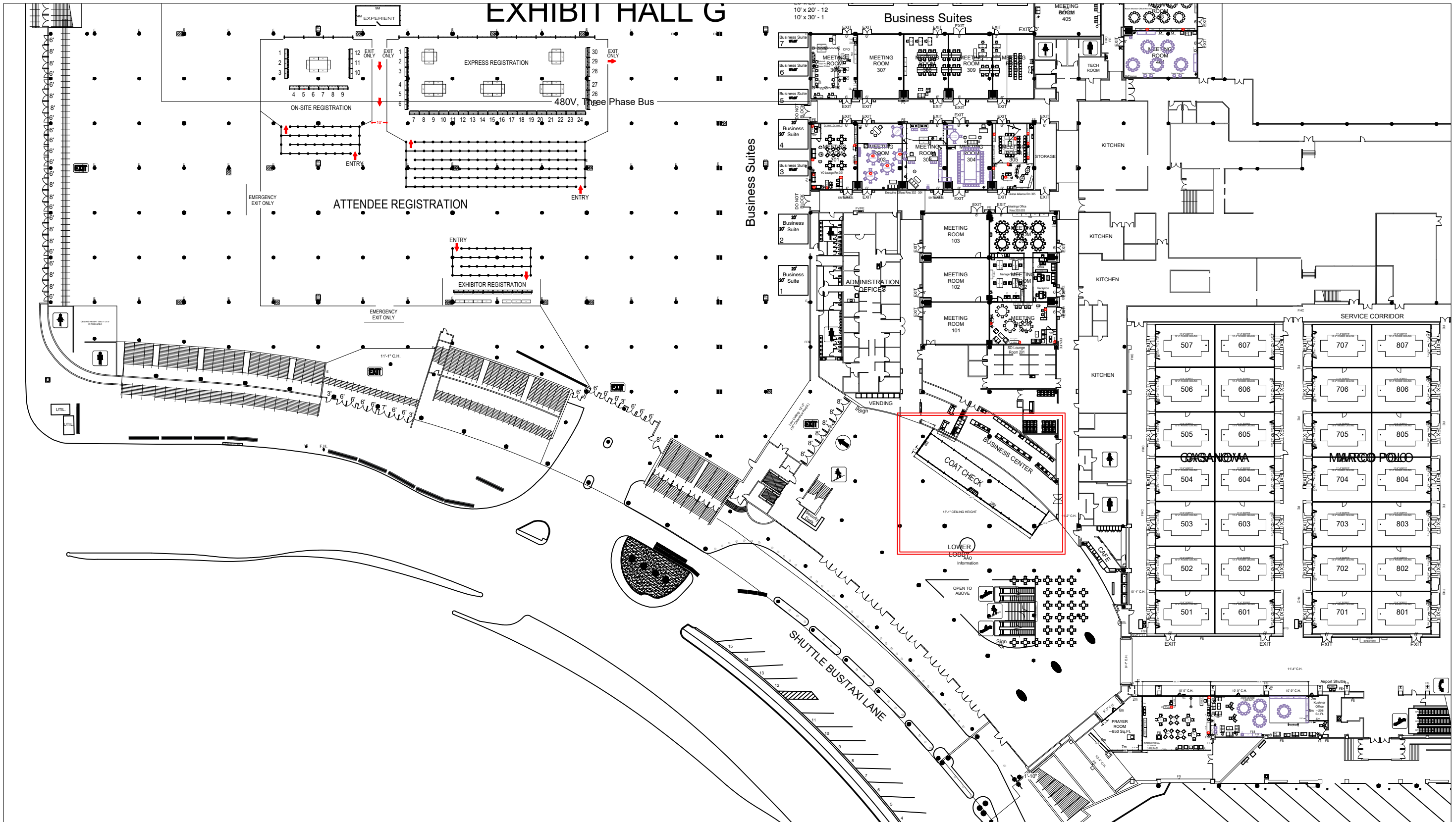
ISO REAR VIEW



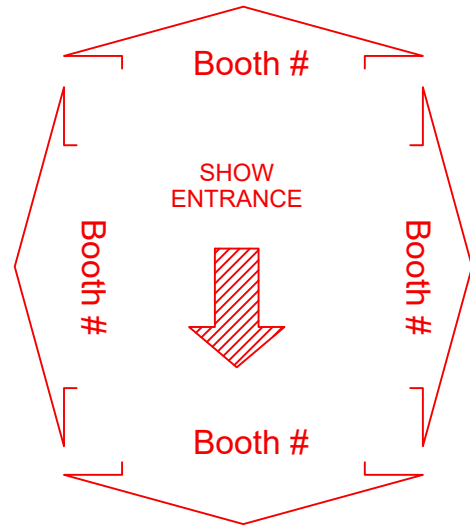
PLAN VIEW



ELEVATION

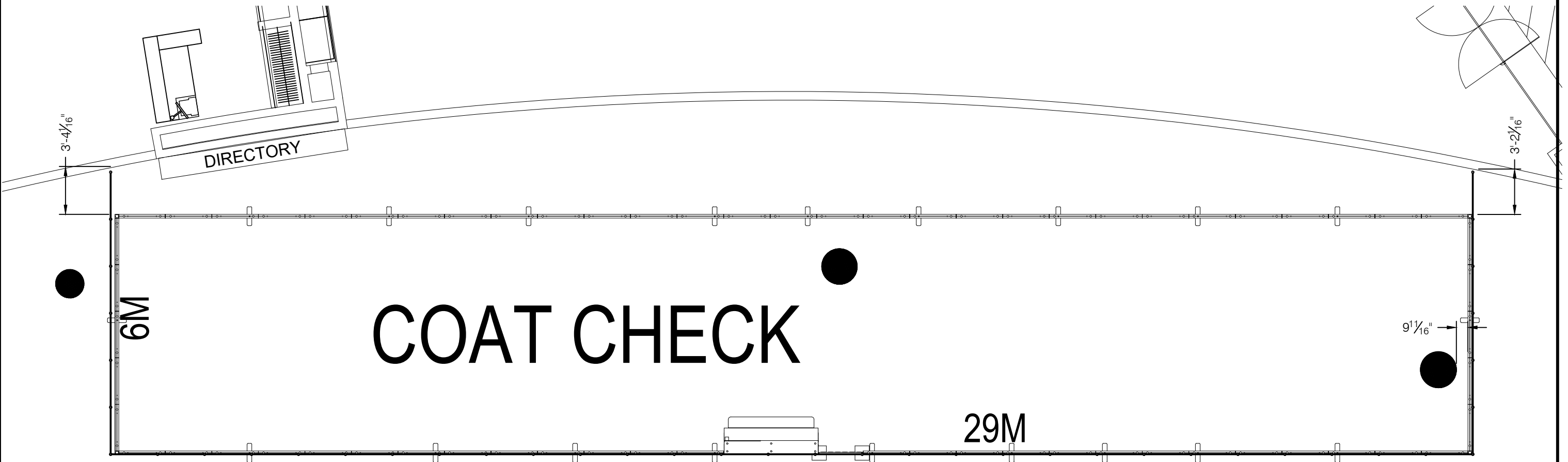


Floor Plan Layout



UTILITIES LEGEND

QTY	DESCRIPTION
??	A 120V, 500W (5 AMP)
??	B 120V, 1000W (10 AMP)
??	C 120V, 1500W (15 AMP)
??	D 120V, 2000W (20 AMP)
??	E 120V, 2000W (20 AMP) 24 HR.
??	- INTERNET LINE



Plan View
12" Grid