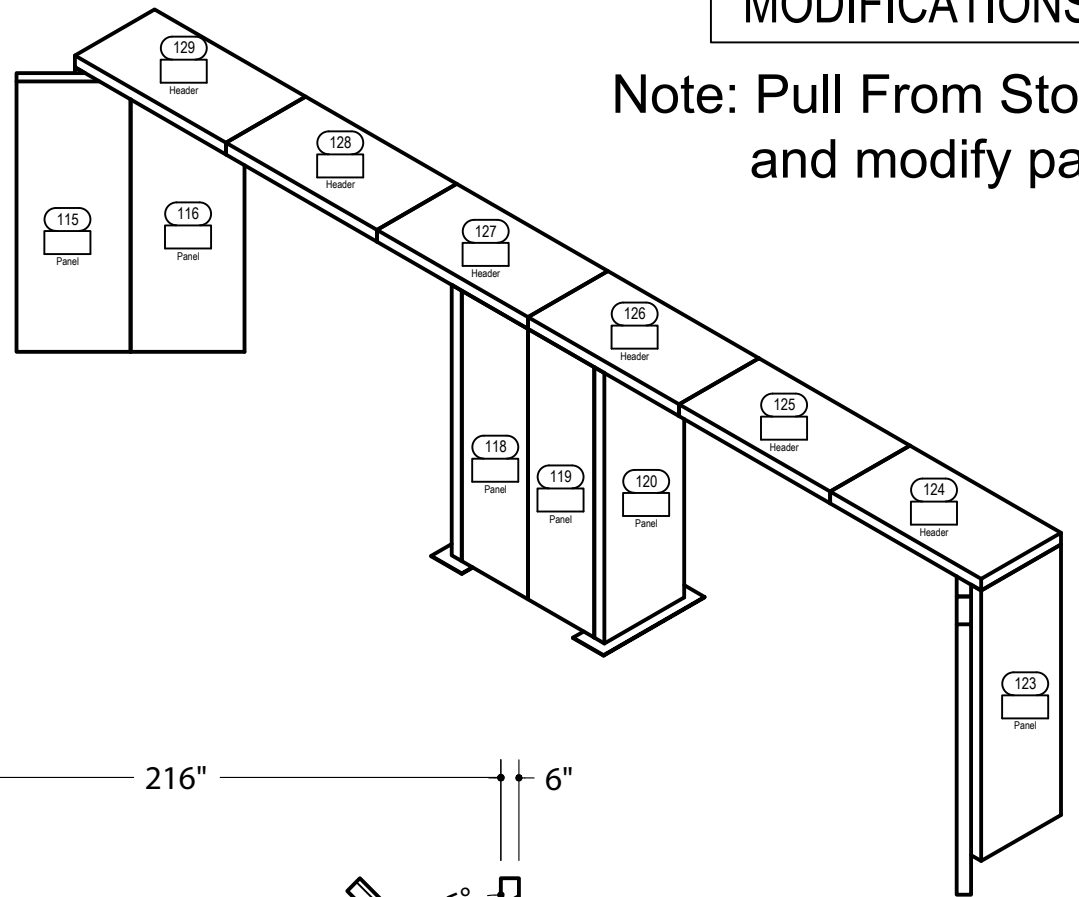
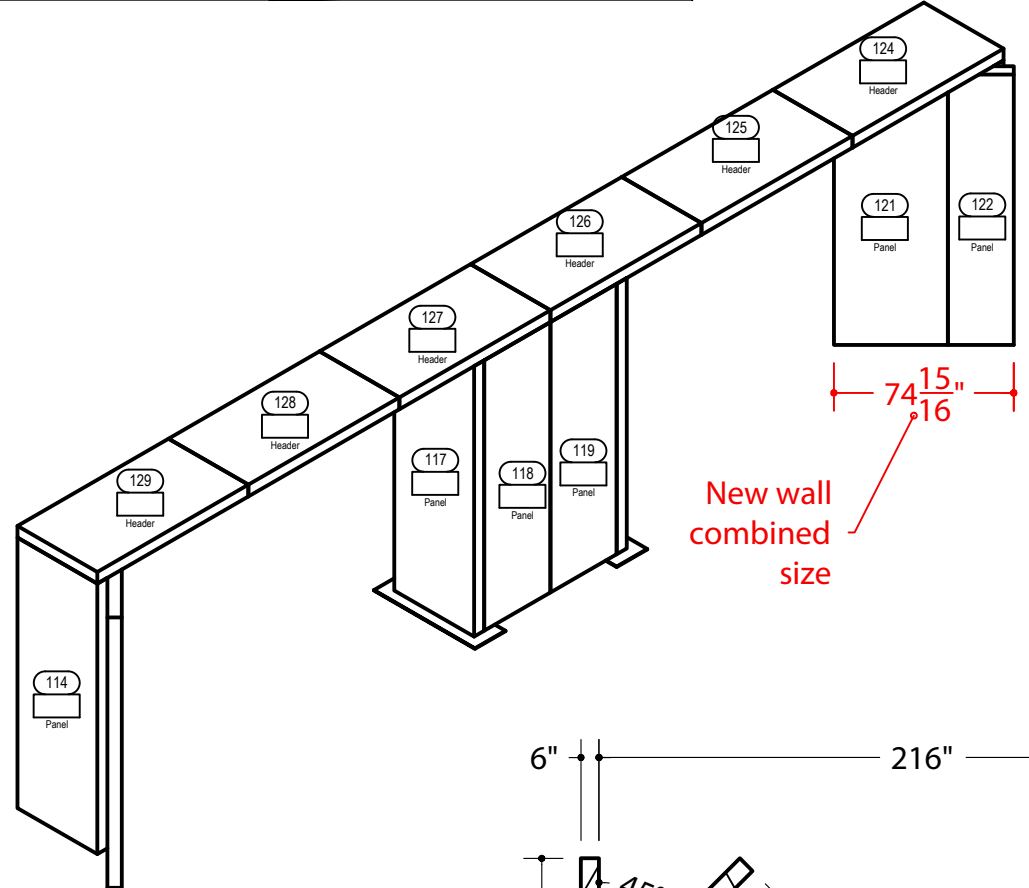




**N1 ENTRANCE  
MODIFICATIONS**

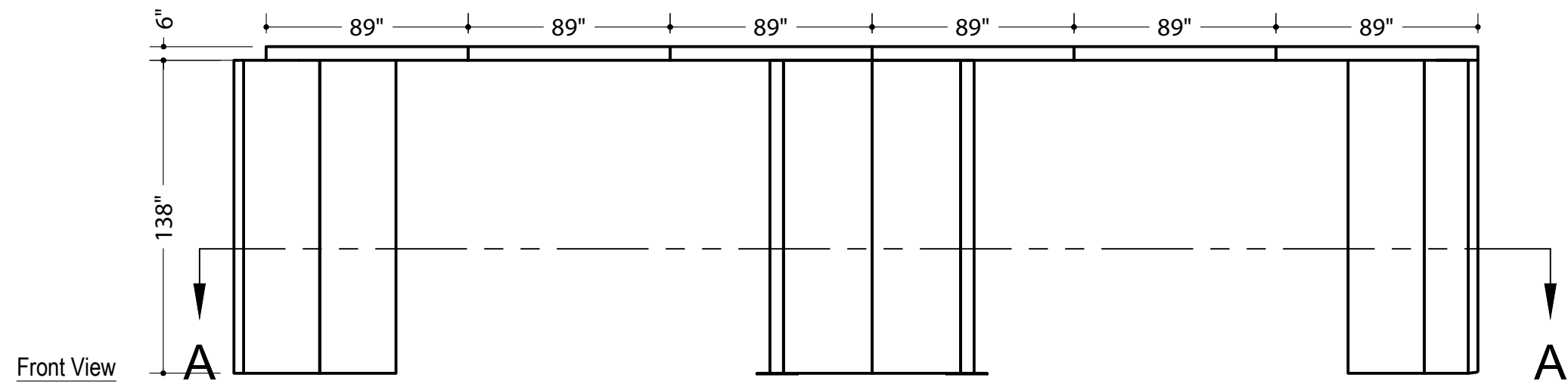
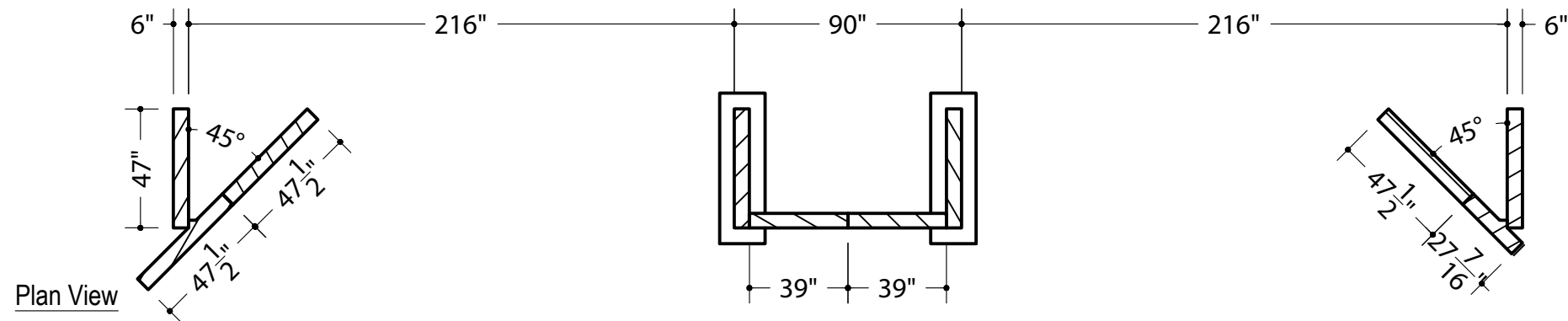
Note: Pull From Storage  
and modify panel

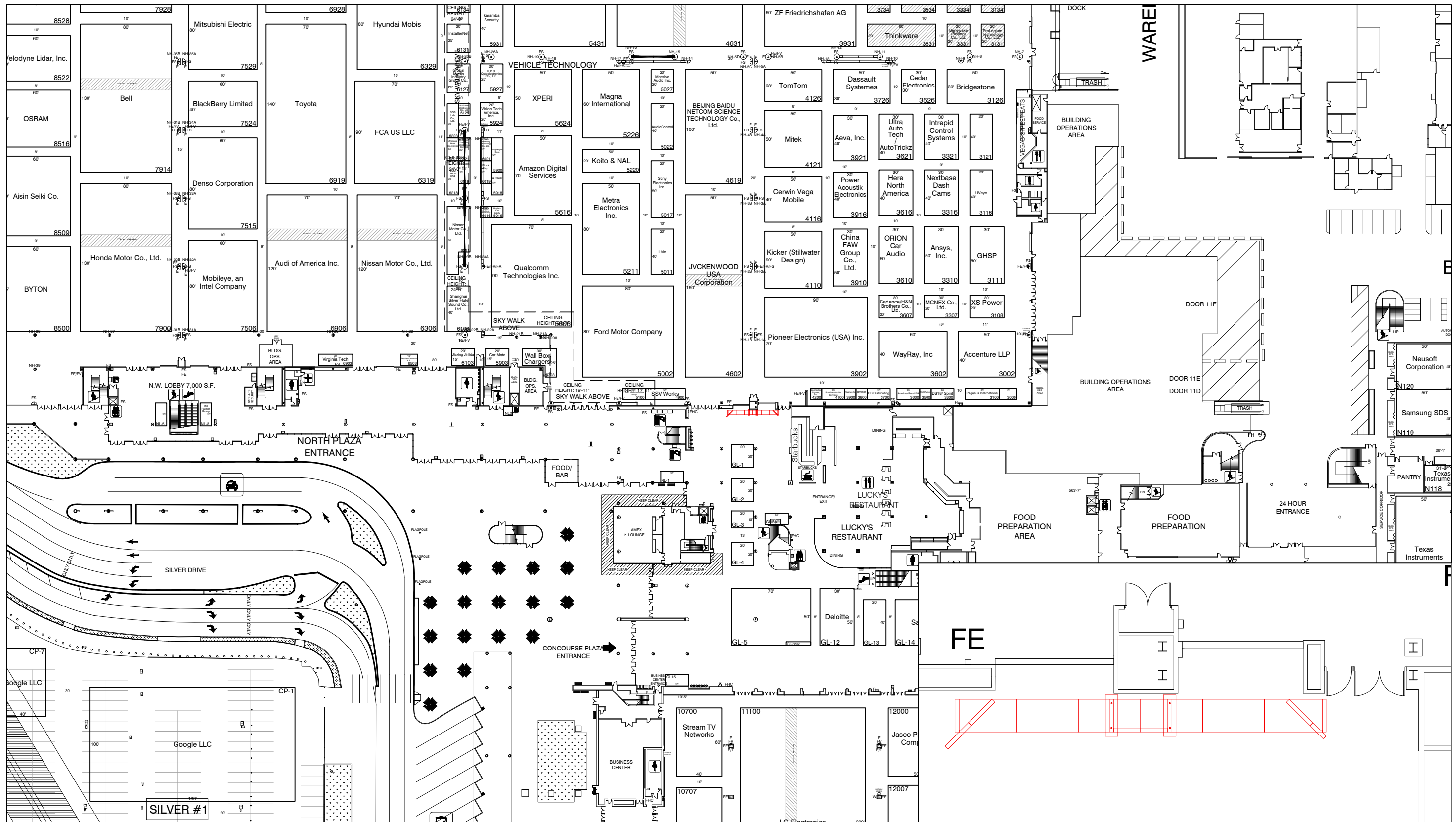


**SECTION A-A  
SCALE 0.0156**

ISO: Front

ISO: Front





Floor Plan Layout