

Freeman¹

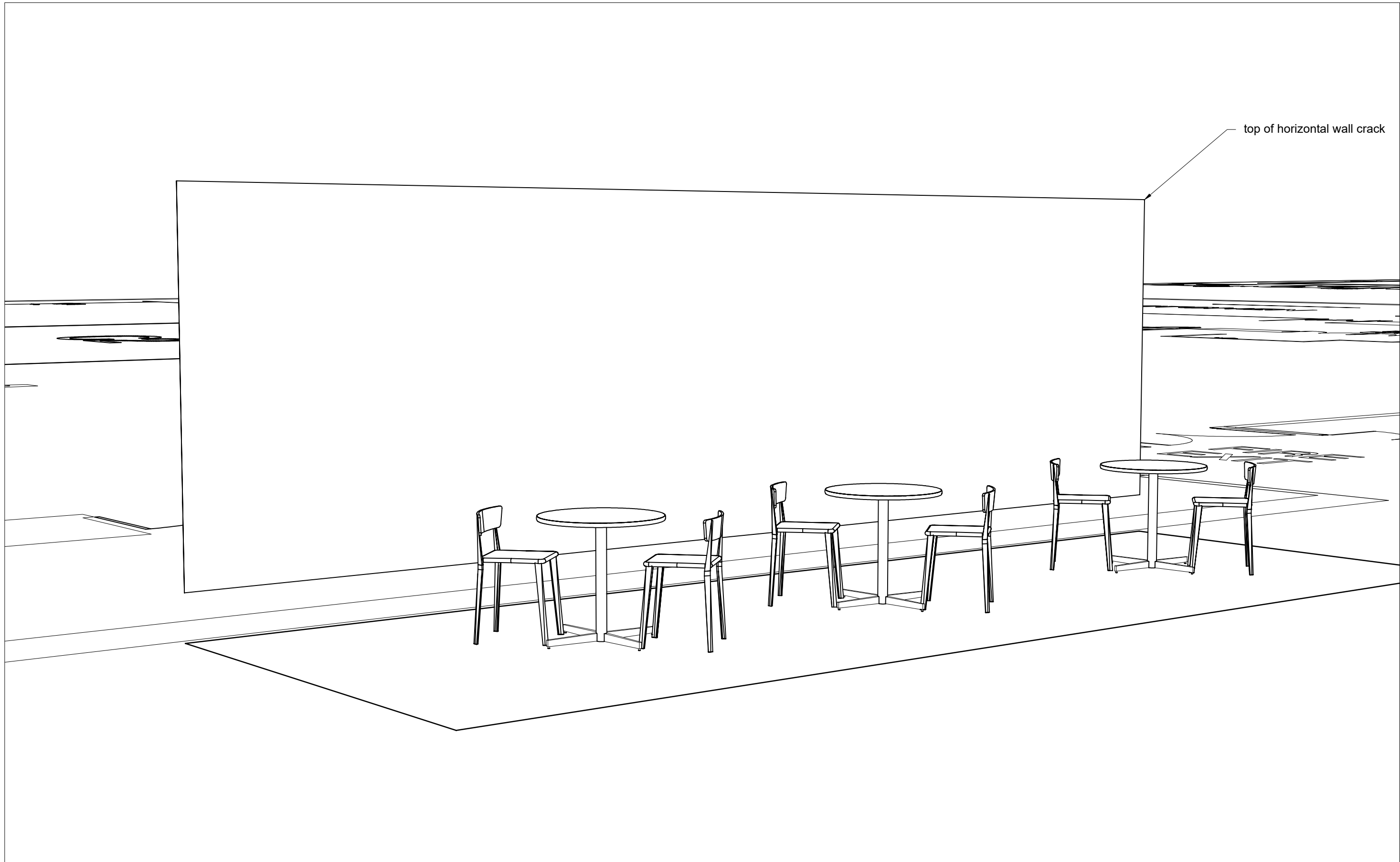
TableTop Branding 3

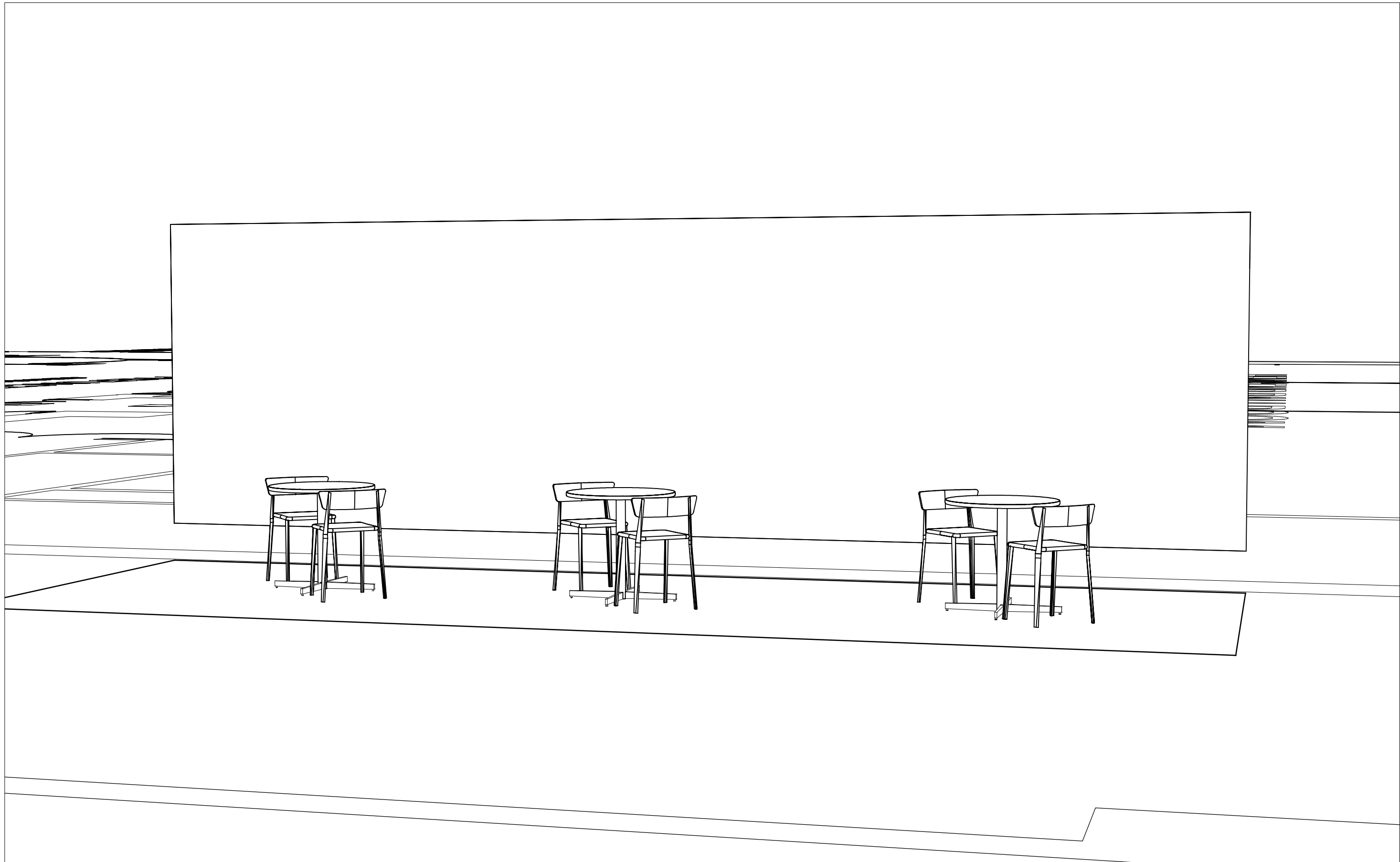
AAAAI 2023 Annual Conference

Jun 24, 2022









PRELIMINARY - NOT FOR PRODUCTION

TABLE TOP BRANDING 3

EXHIBIT NAME / UNIT NAME

RIDGE HALL

EXHIBIT # / UNIT LOCATION

Am Acdmy of Allergy Asthma & Immunology Annual Mtg

EVENT NAME

HENRY B GONZALEZ CONVENTION CENTER
San Antonio, TX | 02/24/23-02/27/23

EVENT FACILITY / DATES

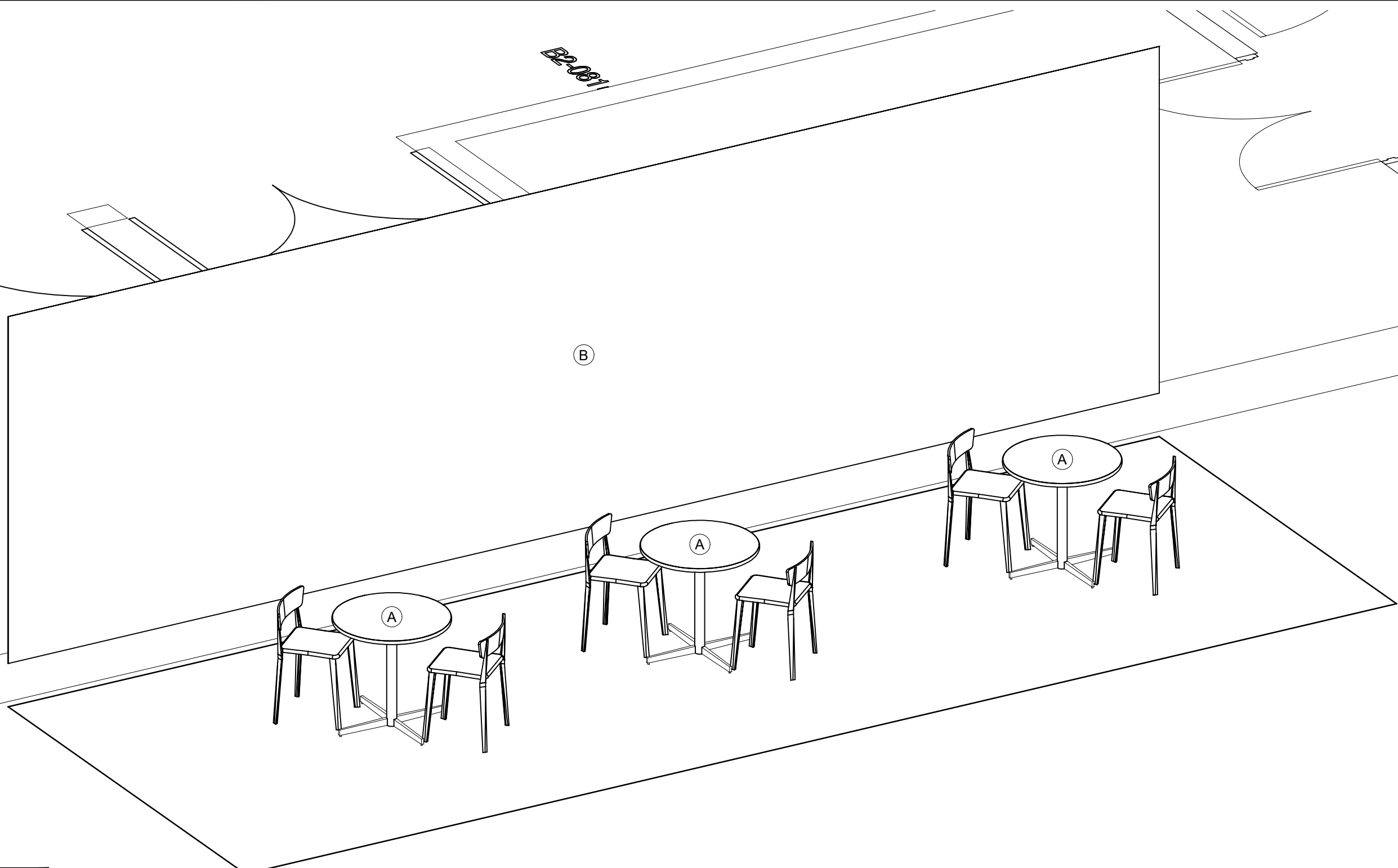
8640534

PASSPORT LINE ITEM #

WORK TICKET #

513092

JOB #



B2-081

B

A

A

A

LESS THAN 30 DAYS OUT



* 0 0 0 0 0 0 0 0 0 1 . 1 0 1 . 0 *

MORE THAN 30 DAYS OUT



* 0 0 0 0 0 0 0 0 0 1 . 1 0 1 . 1 *



Business Development Mgr:
Jennifer Chagnon

Client Solutions Mgr:
Paula MacMullan

Designer:
Yader Jiron

Detailer:

Last Saved:
6/24/2022 2:02 PM

Revision:
A

These original concepts and designs are sole property of FREEMAN. Any reproduction or use is prohibited without written consent of FREEMAN. © Copyright 2022 FREEMAN

File Name/Path: C:_Vault\Designs_Projects\A\Am Acdmy of Allergy Asthma & Immunology Annual Mtg\AAAAI2302\Event\CAD\TableTop Branding 3\AAAAI23 TableTop Branding 3 L8640534 DESBW.dwg

PRELIMINARY - NOT FOR PRODUCTION

TABLE TOP BRANDING 3

EXHIBIT NAME / UNIT NAME

RIDGE HALL

EXHIBIT # / UNIT LOCATION

Am Acdmy of Allergy Asthma & Immunology Annual Mtg

EVENT NAME

HENRY B GONZALEZ CONVENTION CENTER
San Antonio, TX | 02/24/23 - 02/27/23

EVENT FACILITY / DATES

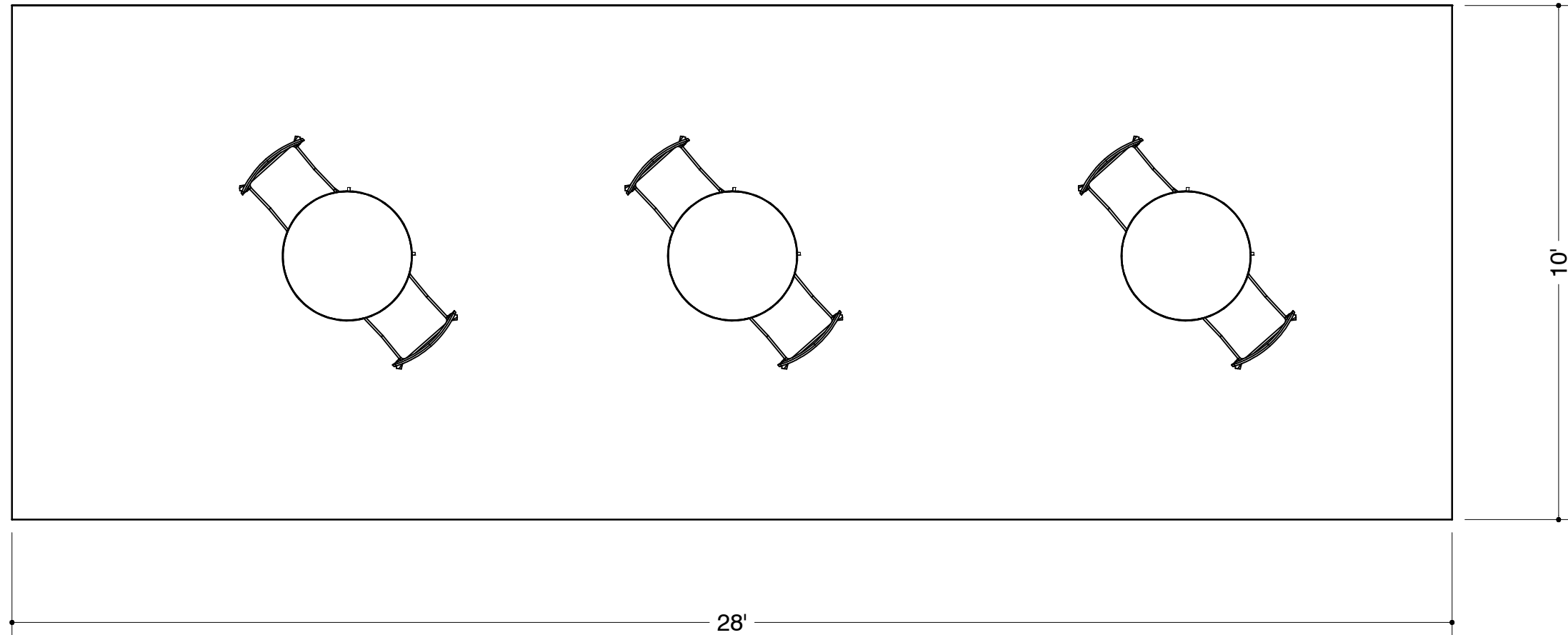
8640534

PASSPORT LINE ITEM #

WORK TICKET #

513092

JOB #



PRELIMINARY - NOT FOR PRODUCTION

TABLE TOP BRANDING 3

EXHIBIT NAME / UNIT NAME

RIDGE HALL

EXHIBIT # / UNIT LOCATION

Am Acdmy of Allergy Asthma & Immunology Annual Mtg

EVENT NAME

HENRY B GONZALEZ CONVENTION CENTER
San Antonio, TX | 02/24/23 - 02/27/23

EVENT FACILITY / DATES

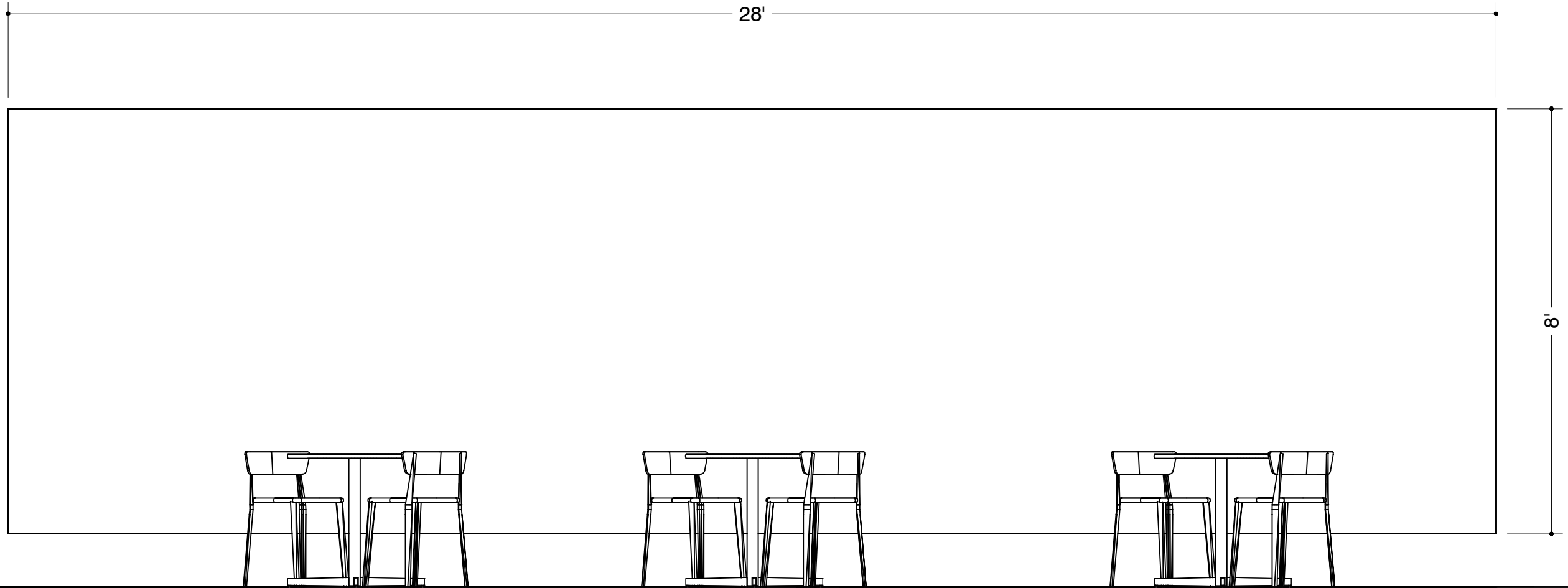
8640534

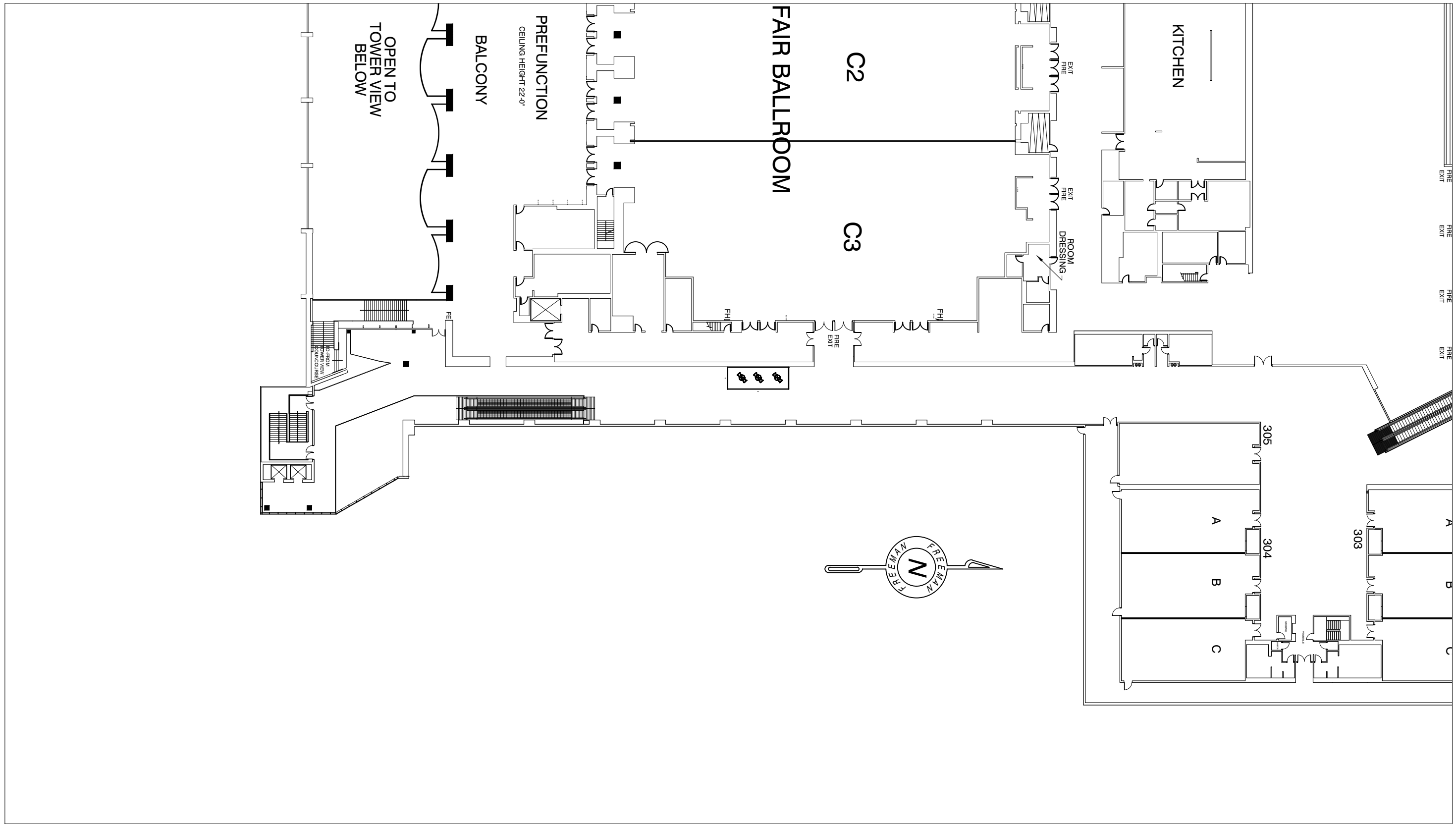
PASSPORT LINE ITEM #

WORK TICKET #

513092

JOB #





OVERALL FLOORPLAN
Scale: 3/128" = 1'-0"

PRELIMINARY - NOT FOR PRODUCTION

TABLE TOP BRANDING 3

EXHIBIT NAME / UNIT NAME

RIDGE HALL

EXHIBIT # / UNIT LOCATION

Am Acdmy of Allergy Asthma & Immunology Annual Mtg

EVENT NAME

HENRY B GONZALEZ CONVENTION CENTER
San Antonio, TX | 02/24/23 - 02/27/23

EVENT FACILITY / DATES

8640534

PASSPORT LINE ITEM #

WORK TICKET #

513092

JOB #

Not for Production

| I.D. | Qty | Type | Size | Area (SqFt) | Part Number | Description | Material | Color | Low Inv. |
|------|-----|-----------------------|-------------------------|-------------|-------------|--|---------------|---------------|----------|
| A | 3 | Overlay Graphic Panel | 30" x 30" | 6.3 | | table Graphic | table Graphic | table Graphic | |
| B | 1 | Overlay Graphic Panel | 336" x 96" | 224.0 | | Wall Graphic 28' W x 8' H | Wall Graphic | Wall Graphic | |
| | 6 | Chair | 20-1/2" x 19" x 30-1/2" | | | Blade Chair, Red | Plastic | Red | |
| | 3 | Table | 30" x 30" x 29" | | | 30" Round Madison Cafe Table w/ Standard Black Base, Gray Ac | Laminate | Gray Acajou | |