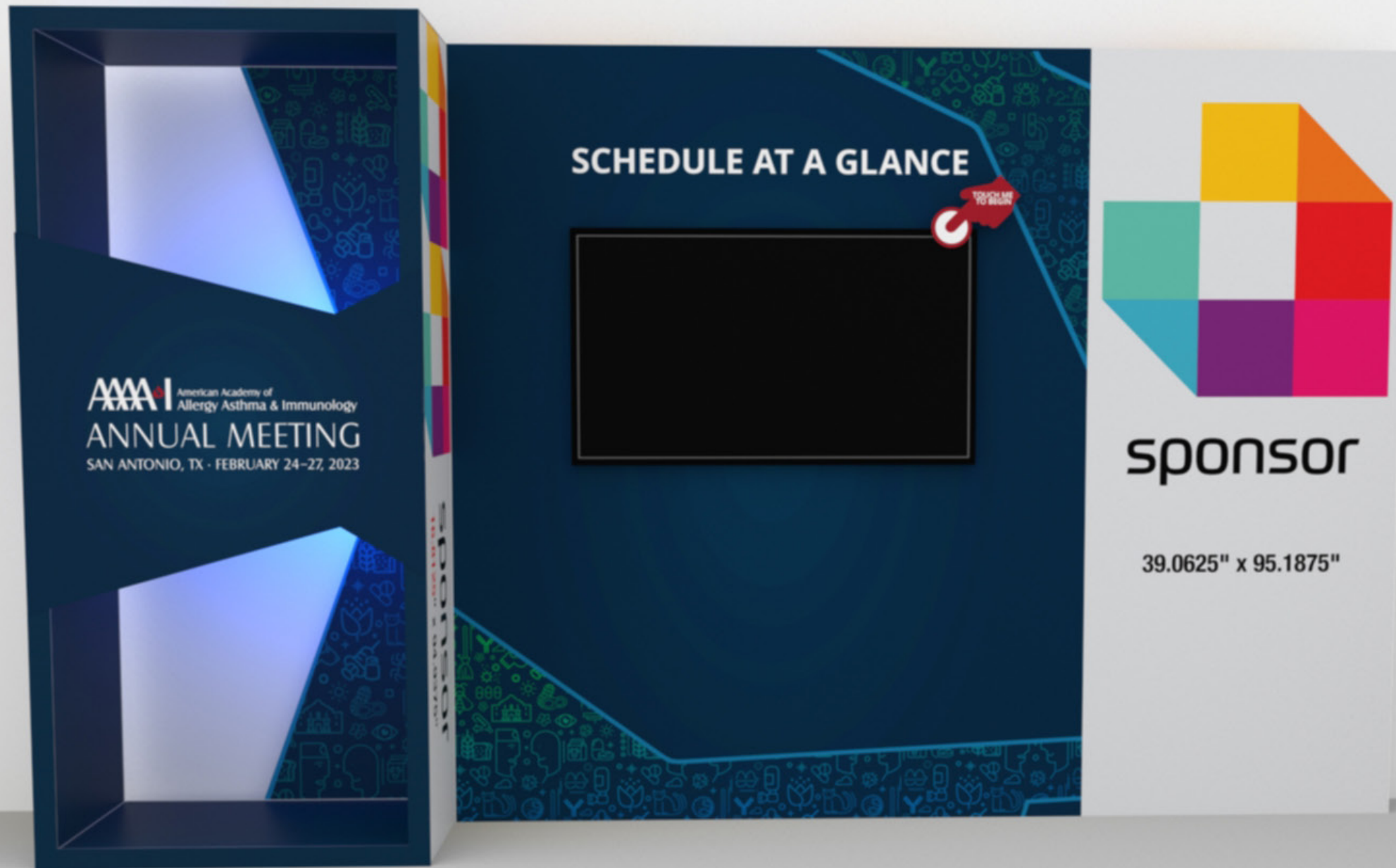




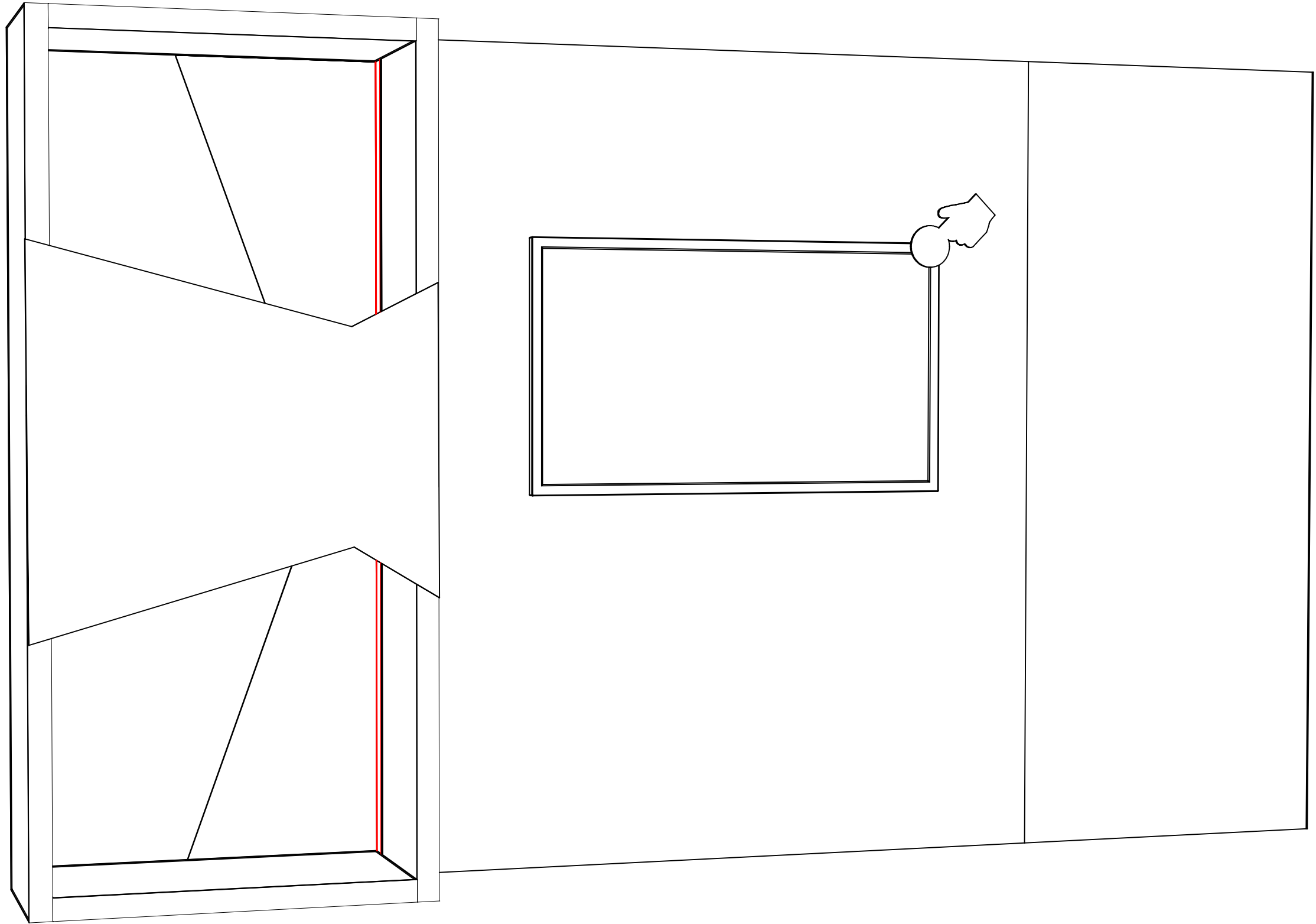
# Digital Conf. Schedule Board

AAAAI 2023 Annual Conference

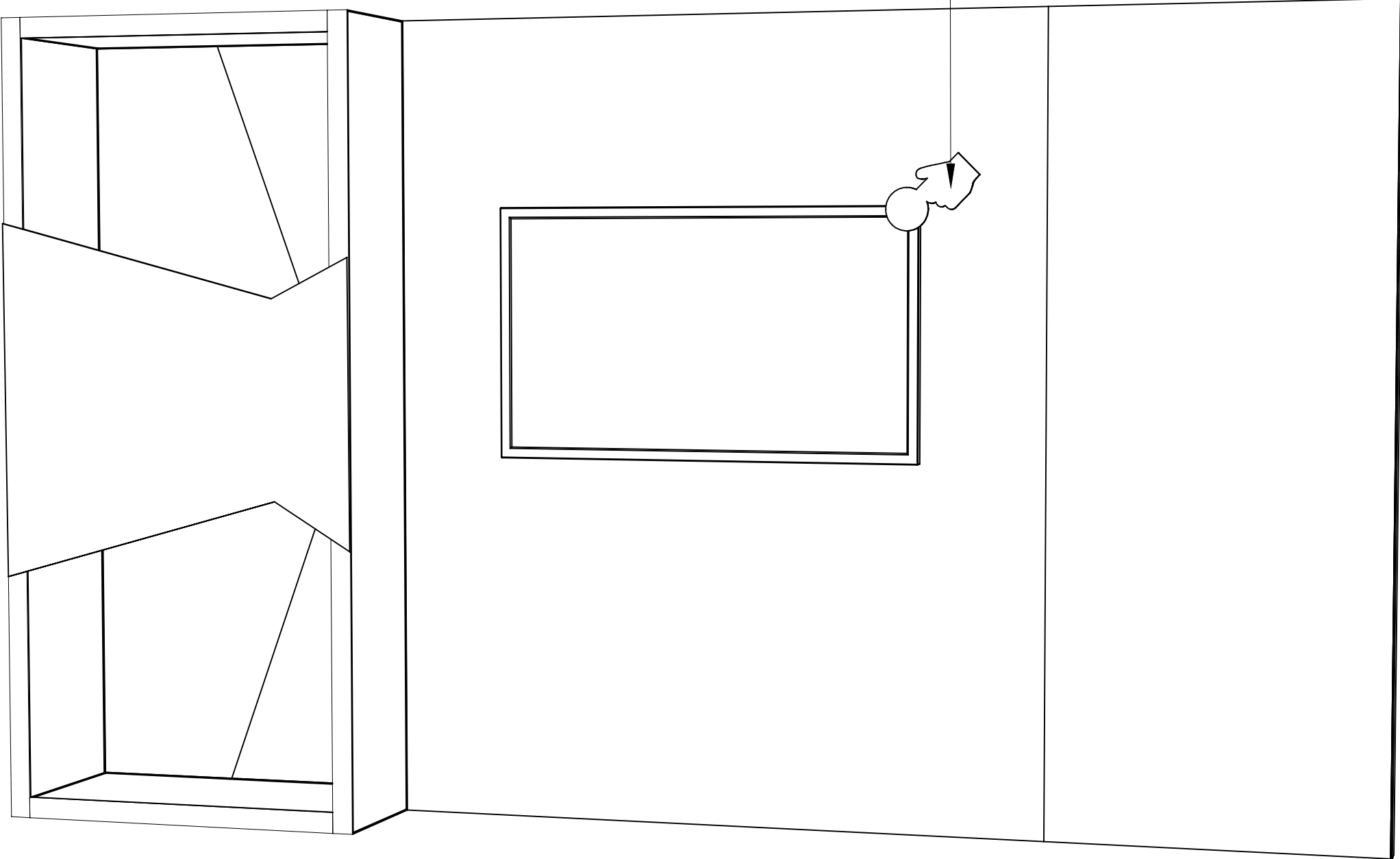


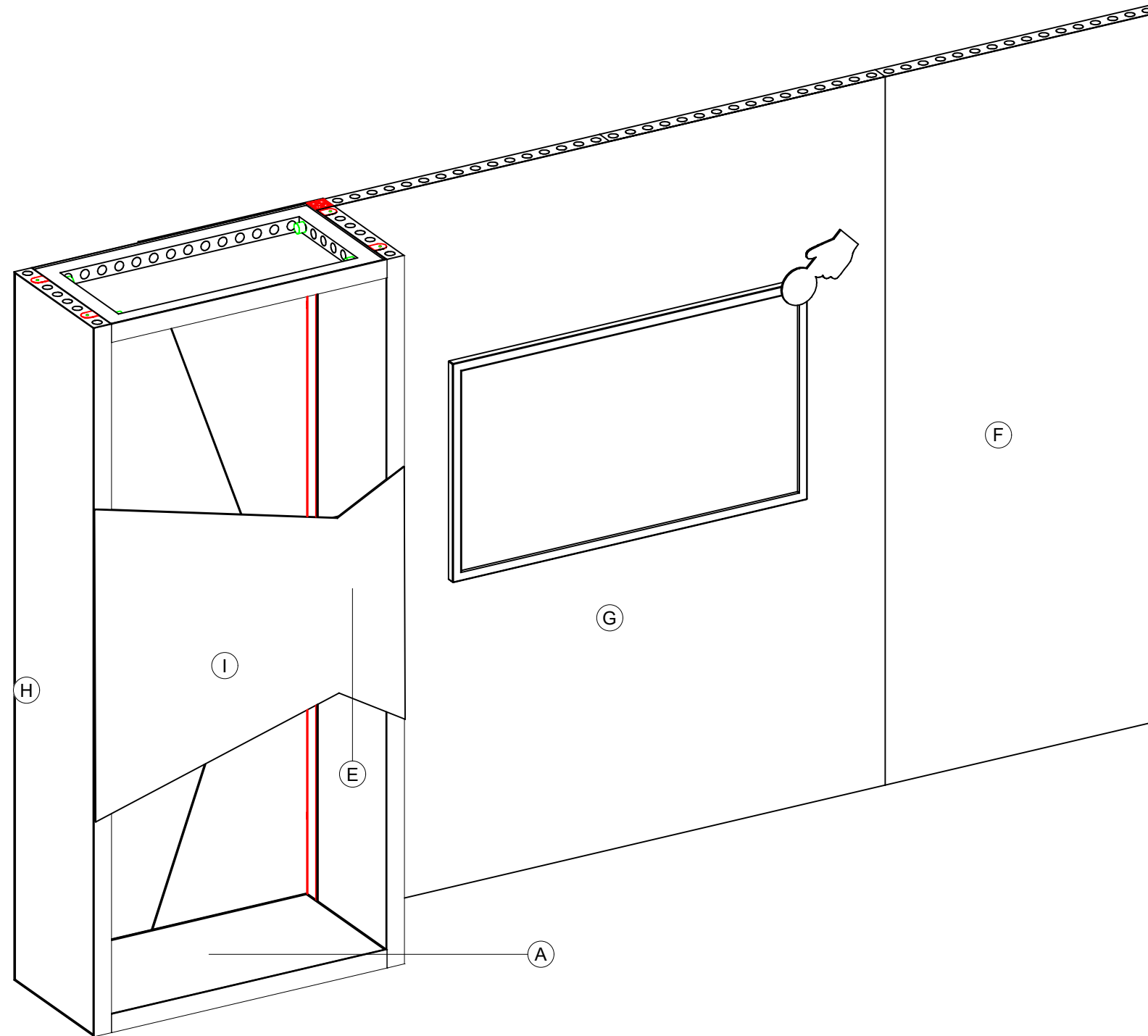






PLANT ON FINGER





LESS THAN 30 DAYS OUT

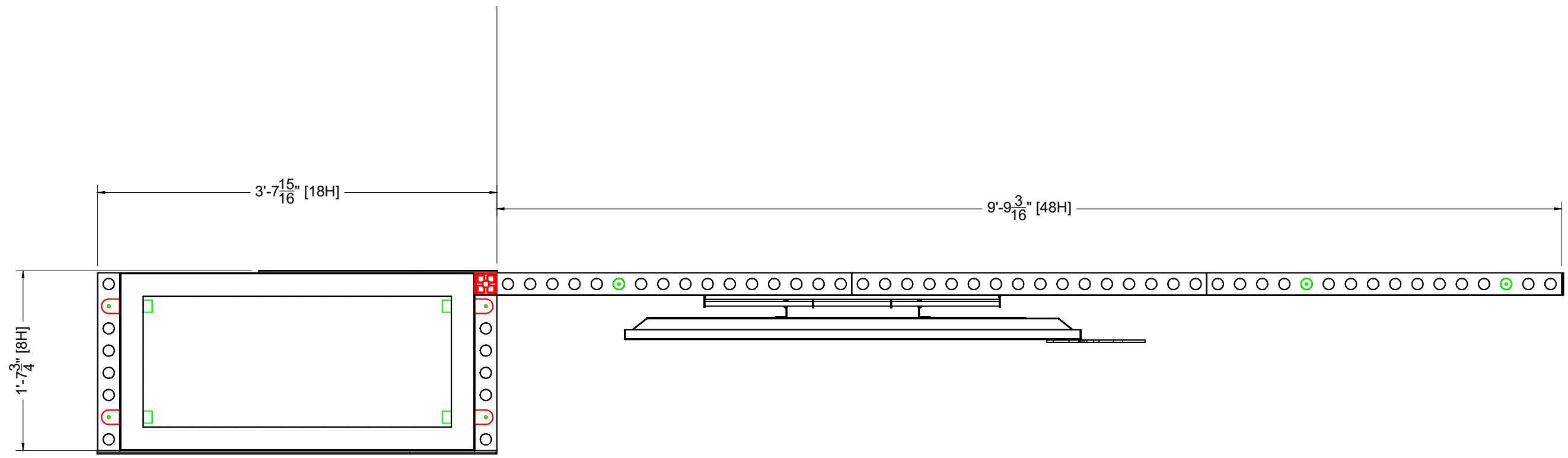


\* 0 0 0 0 0 0 0 0 0 1 . 1 0 1 . 0 \*

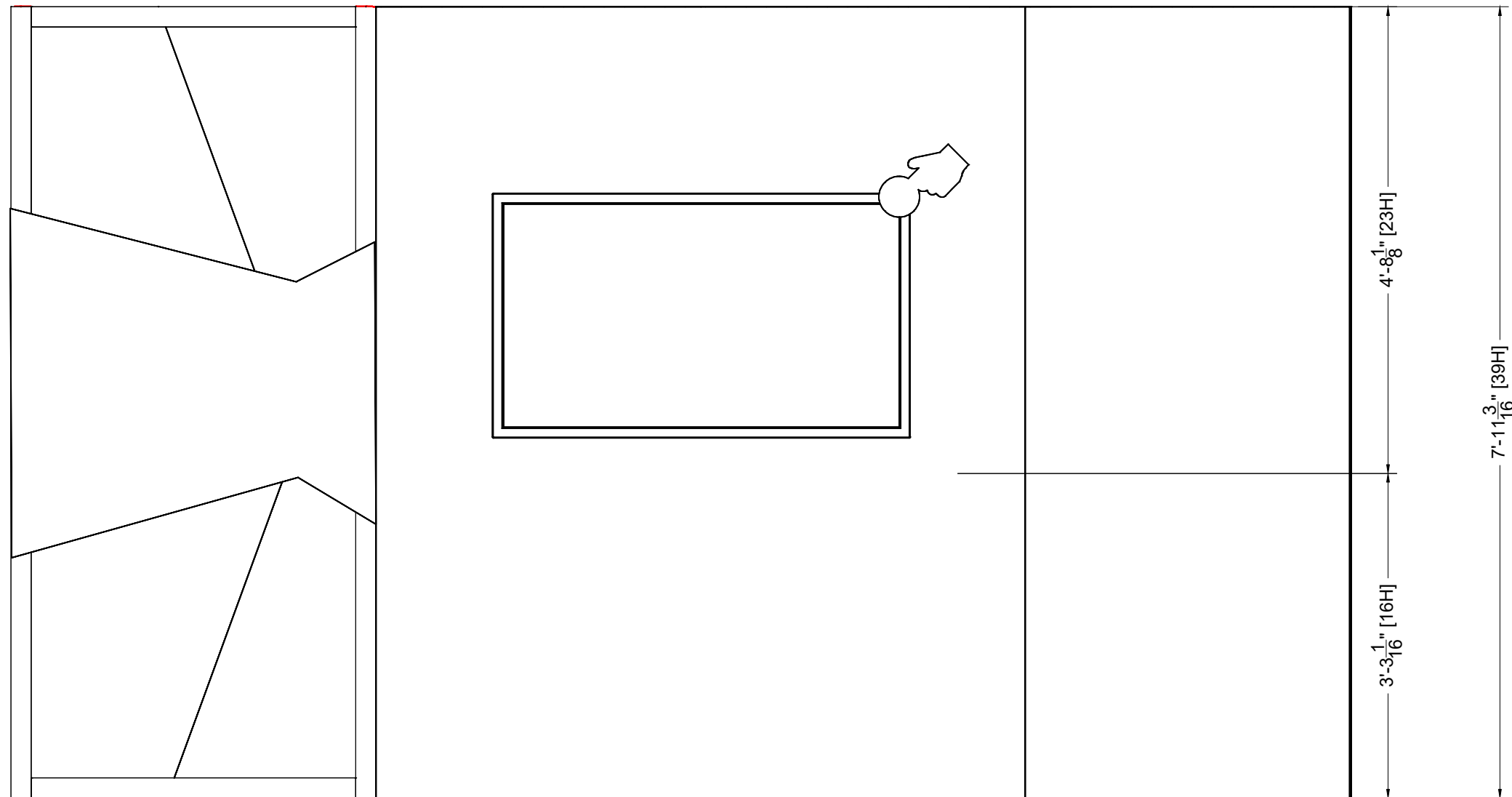
MORE THAN 30 DAYS OUT



\* 0 0 0 0 0 0 0 0 0 1 . 1 0 1 . 1 \*







**Not for Production**

I.D.	Qty	Type	Size	Area (SqFt)	Part Number	Description	Material	Color	Low Inv.
	1	FLEX Frame-Straight	17-1/16" x 95-3/16"		60400057	Straight Frame 07 Hole x 39 Hole	Aluminum	Silver	
	2	FLEX Frame-Straight	19-1/2" x 39-1/16"		60400025	Straight Frame 08 Hole x 16 Hole	Aluminum	Silver	
	1	FLEX Frame-Straight	19-1/2" x 95-3/16"		60400028	Straight Frame 08 Hole x 39 Hole	Aluminum	Silver	
	1	FLEX Frame-Straight	22" x 39-1/16"		60400030	Straight Frame 09 Hole x 16 Hole	Aluminum	Silver	
	3	FLEX Frame-Straight	39-1/16" x 95-3/16"		60400043	Straight Frame 16 Hole x 39 Hole	Aluminum	Silver	
	4	FLEX Acc-Corner Post	2" x 95-3/16"			Post PVC Infill (39 hole)	PVC	Light Gray	
	1	FLEX Acc-Corner Post	95-3/16"		60990009	Shell scheme post (39 hole)	Steel	Gray	
C20	8	FLEX Acc-Pin Plate	Standard		60440055	Stainless steel 90° connector base	Steel	Stainless	
C10	3	FLEX Part-Connector	Standard		60440047	Manual M8 Pin Connector	Aluminum	Silver	
C10	18	FLEX Part-Connector	Standard		60440047	Manual M8 pin connector	Aluminum	Silver	
A	4	Flex Insert	19-1/4" x 38-3/4"		60160031	Flex Insert [8x16 Hole]	PVC 3MM	White	
B	3	Flex Insert	21-11/16" x 38-3/4"		60160038	Flex Insert [9x16 Hole]	PVC 3MM	White	
C	2	Flex Insert	19-1/4" x 94-15/16"		60160035	Flex Insert [8x39 Hole]	PVC 3MM	White	
D	3	Flex Insert	38-3/4" x 94-15/16"		60160051	Flex Insert [16x39 Hole]	PVC 3MM	White	
E	2	Flex Insert	16-13/16" x 94-15/16"		60160027	Flex Insert [7x39 Hole]	PVC 3MM	White	
O16	2	Overlay Panel	2-7/16" x 39-1/16"	0.7		Cover Profile 16 Hole	PVC 3MM	White	
O39	2	Overlay Panel	2-7/16" x 95-3/16"	1.6		Cover Profile 39 Hole	PVC 3MM	White	
	1	Lighting	2-15/16"			led lights	led lights	blue led lights	
F	1	FLEX Fabric Graphic	39-1/16" x 95-3/16"	25.8		39-1/16" x 95-3/16" FLEX Fabric Graphic	Fabric	Graphic	
G	1	FLEX Fabric Graphic	78-1/8" x 95-3/16"	51.6		78-1/8" x 95-3/16" FLEX Fabric Graphic	Fabric	Graphic	
H	1	Flex Graphic Insert	19-1/4" x 94-15/16"	12.7		Flex Insert - Graphic [8x39 Hole]	PVC 3MM	Graphic	
I	1	Overlay Graphic Panel	41-1/2"	0		front Cutout	1/4 foam	graphics	
J	1	Overlay Graphic Panel	26-3/16" x 0-1/4" x 95-3/16"	0		center overlay	center overlay	center overlay	
K	1	Overlay Graphic Panel	43-7/8" x 117-3/16"	35.7		center Panles	center Panles	center Panles	
	1	Electronics	48-1/4" x 12" x 31-1/4"			55in TOUCHSCREEN WITH INTERNAL SPEAKERS (IUAQ)	Metal	Black	