

APPROVED FOR PRODUCTION BY:
BENITO LOPEZ at 3:10 pm, Jun 29, 2022

CHARGING LOUNGE 3

EXHIBIT NAME / UNIT NAME

SEE FINAL FLOORPLAN

EXHIBIT # / UNIT LOCATION

Am Acdmy of Allergy Asthma &
Immunology Annual Mtg

EVENT NAME

HENRY B GONZALEZ CONVENTION CENTER
San Antonio, TX | 02/24/23 - 02/27/23

EVENT FACILITY / DATES

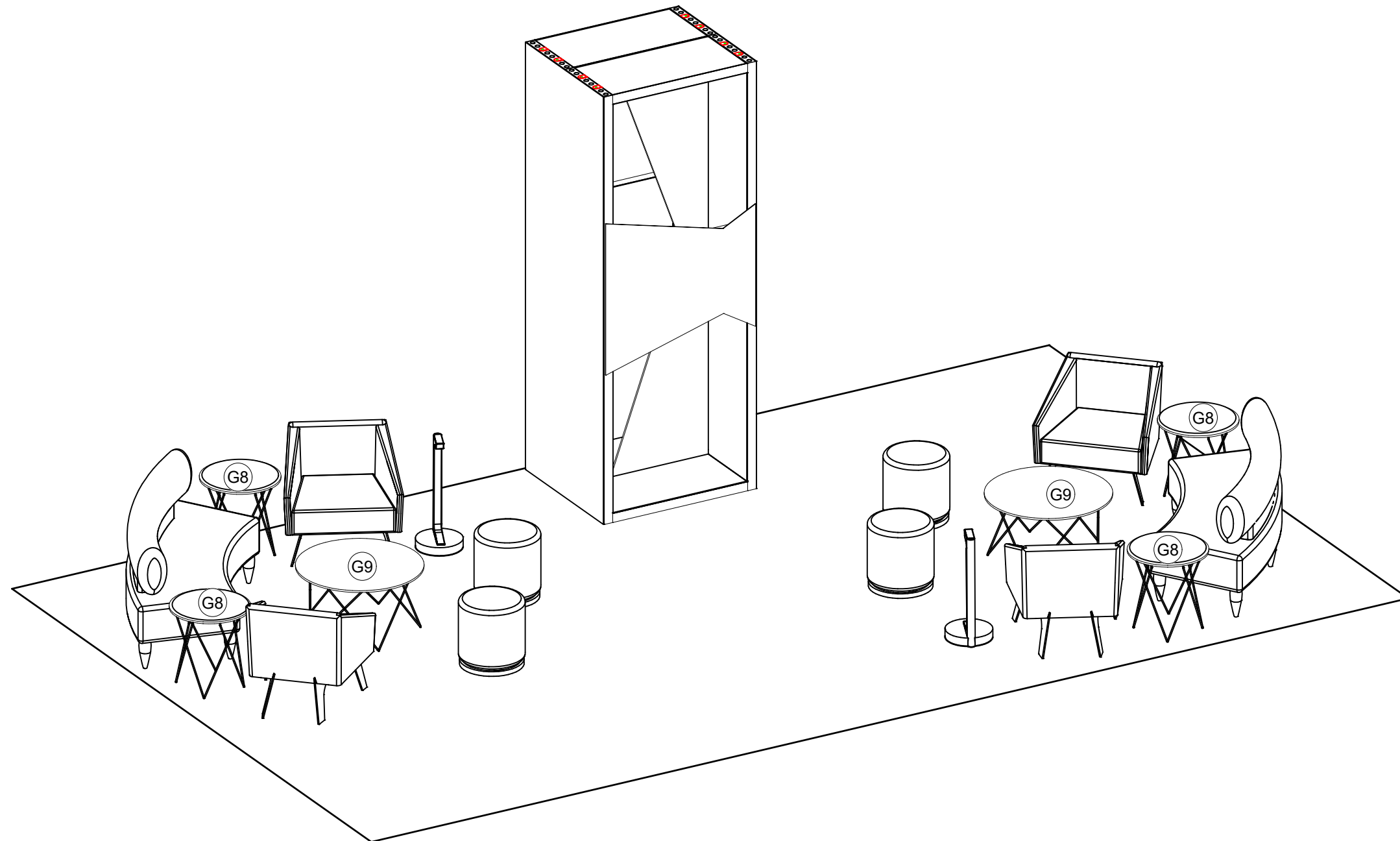
8579957

PASSPORT LINE ITEM #

WORK TICKET #

513092

JOB #



3D VIEW - 1

LESS THAN 30 DAYS OUT



* 0 0 5 1 3 0 9 2 0 1 . 1 0 2 8 . 0 *

MORE THAN 30 DAYS OUT



* 0 0 5 1 3 0 9 2 0 1 . 1 0 2 8 . 1 *



Business Development Mgr:
Jennifer Chagnon

Client Solutions Mgr:
Paula MacMullan

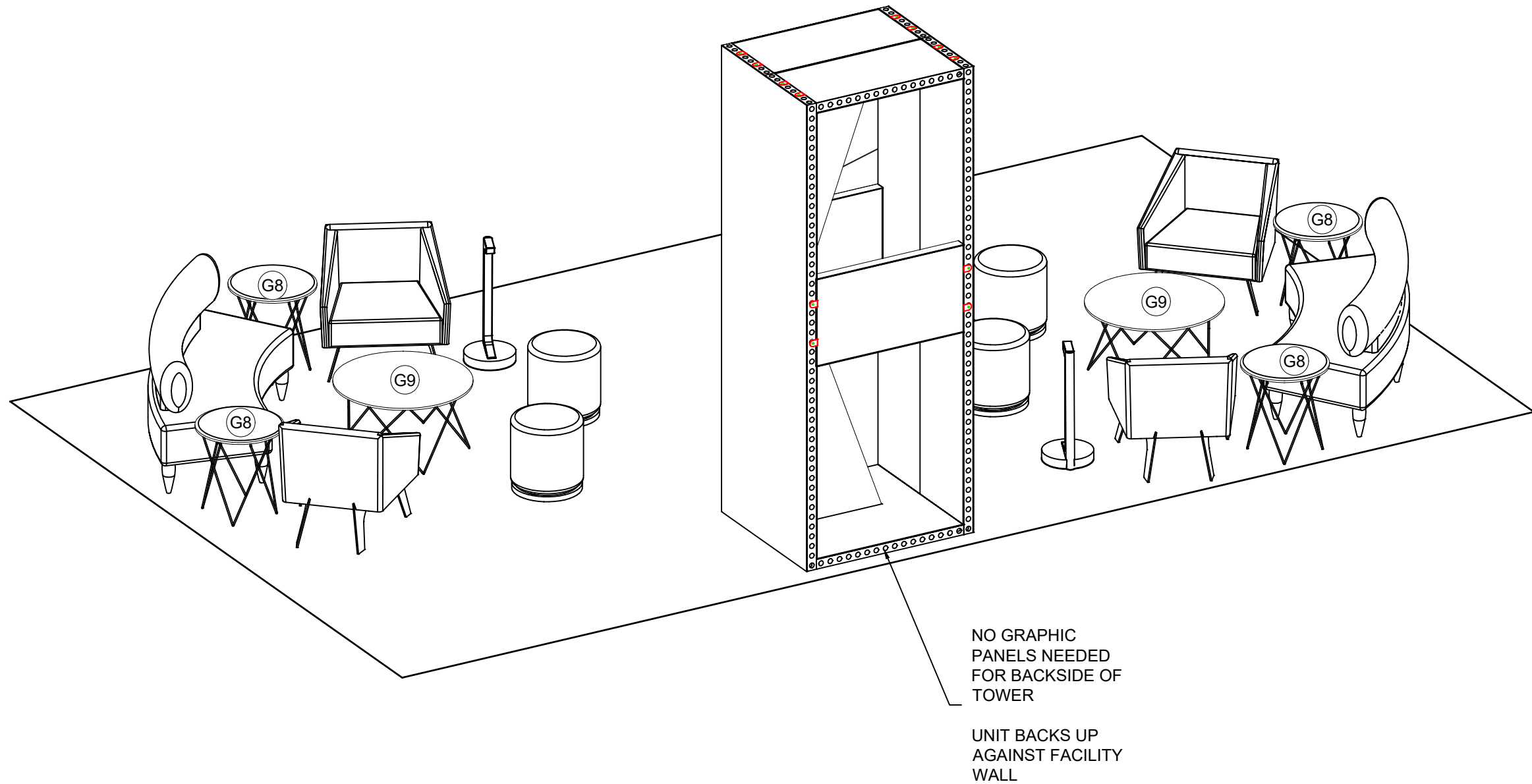
Detailer:
Joe Trukovich

Last Saved:
6/29/2022 9:54 AM

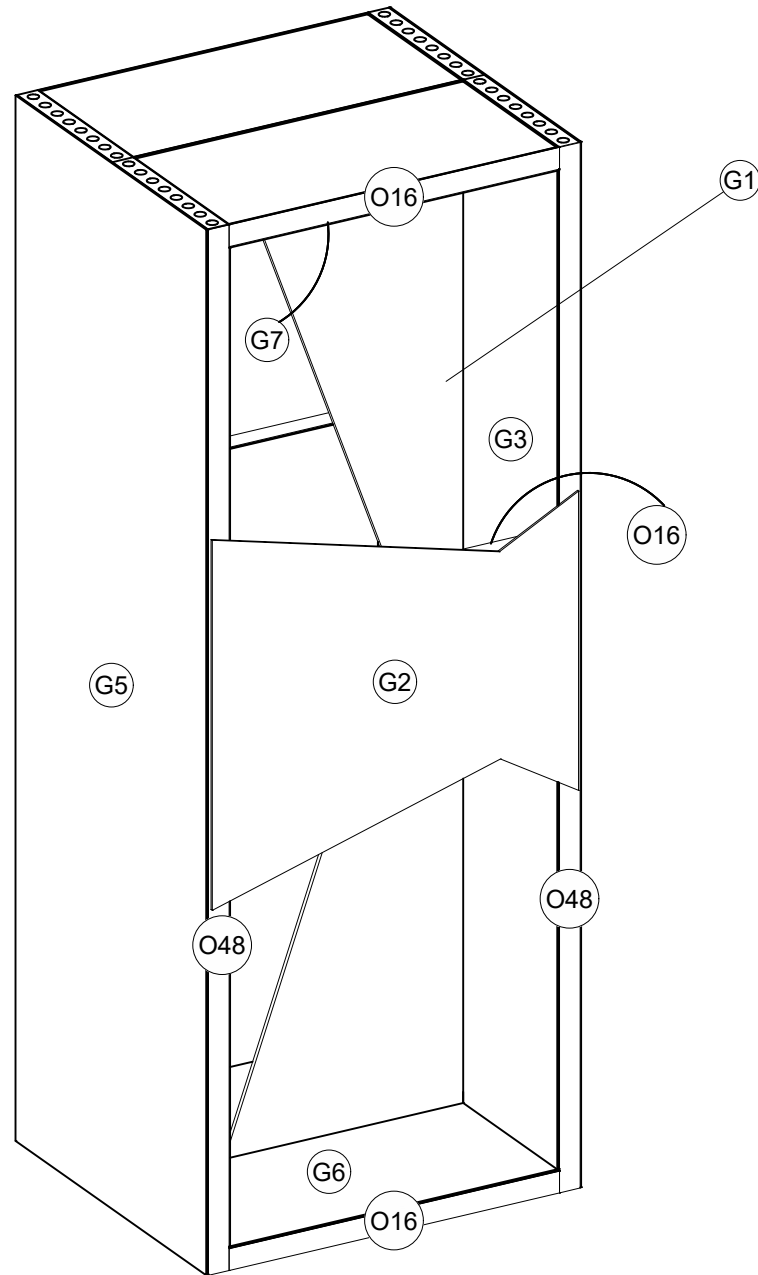
Revision:
B

These original concepts and designs are sole property of FREEMAN. Any reproduction or use is prohibited without written consent of FREEMAN. © Copyright 2022 FREEMAN

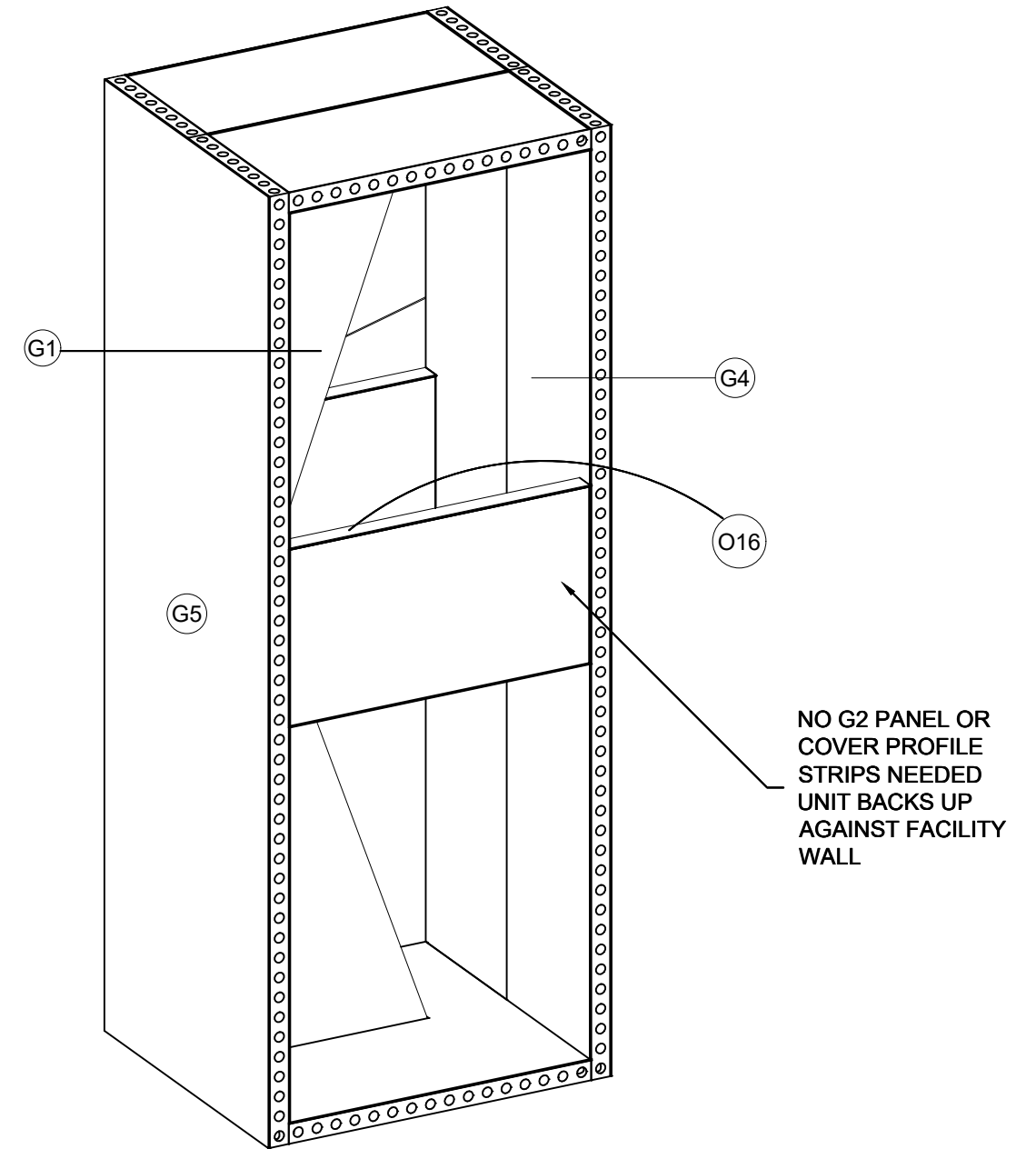
Vault File Name: AAAAI23 Charging Lounge 3 8579957 DET.dwg



3D VIEW - 2



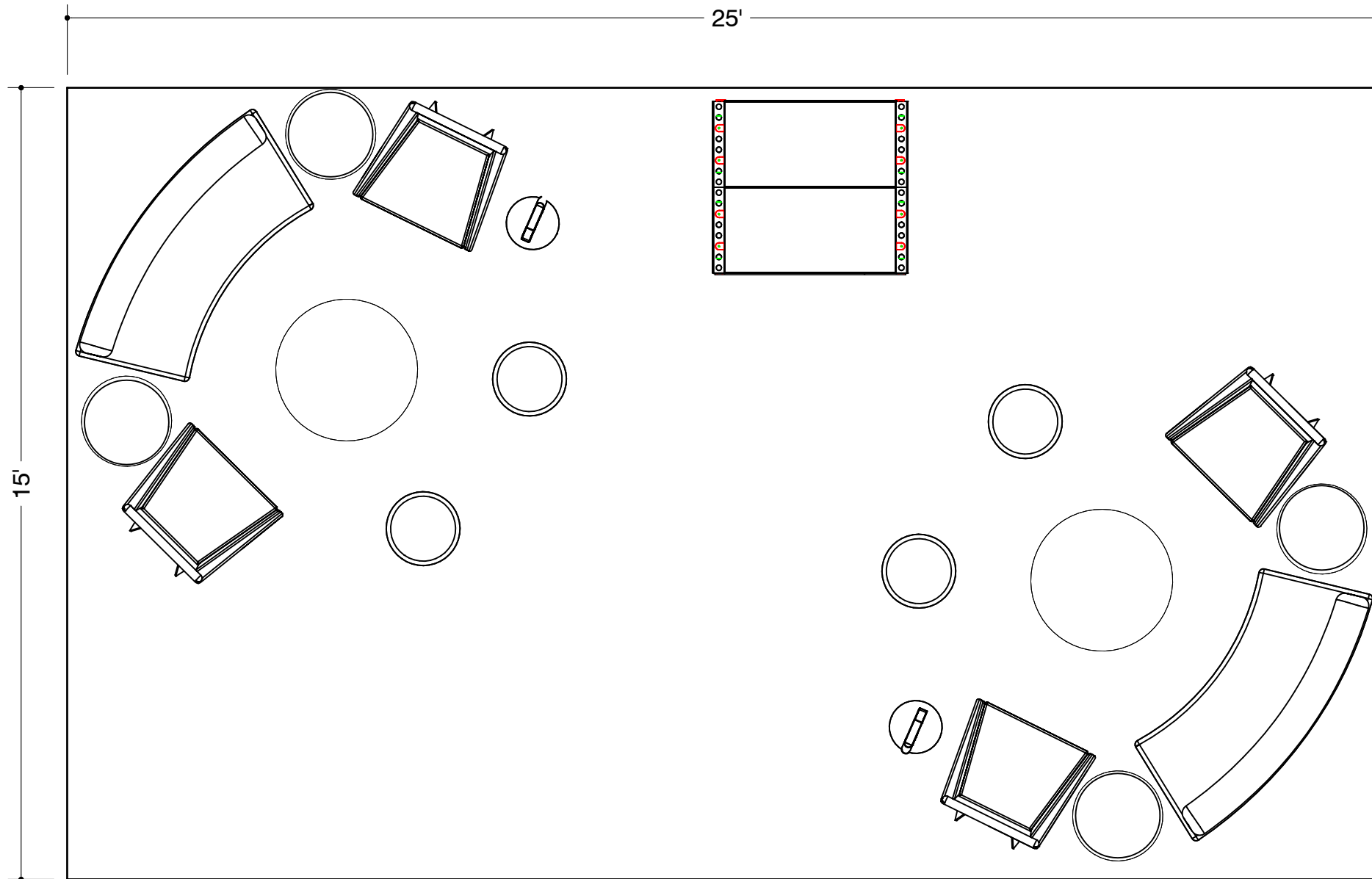
3D VIEW - 1



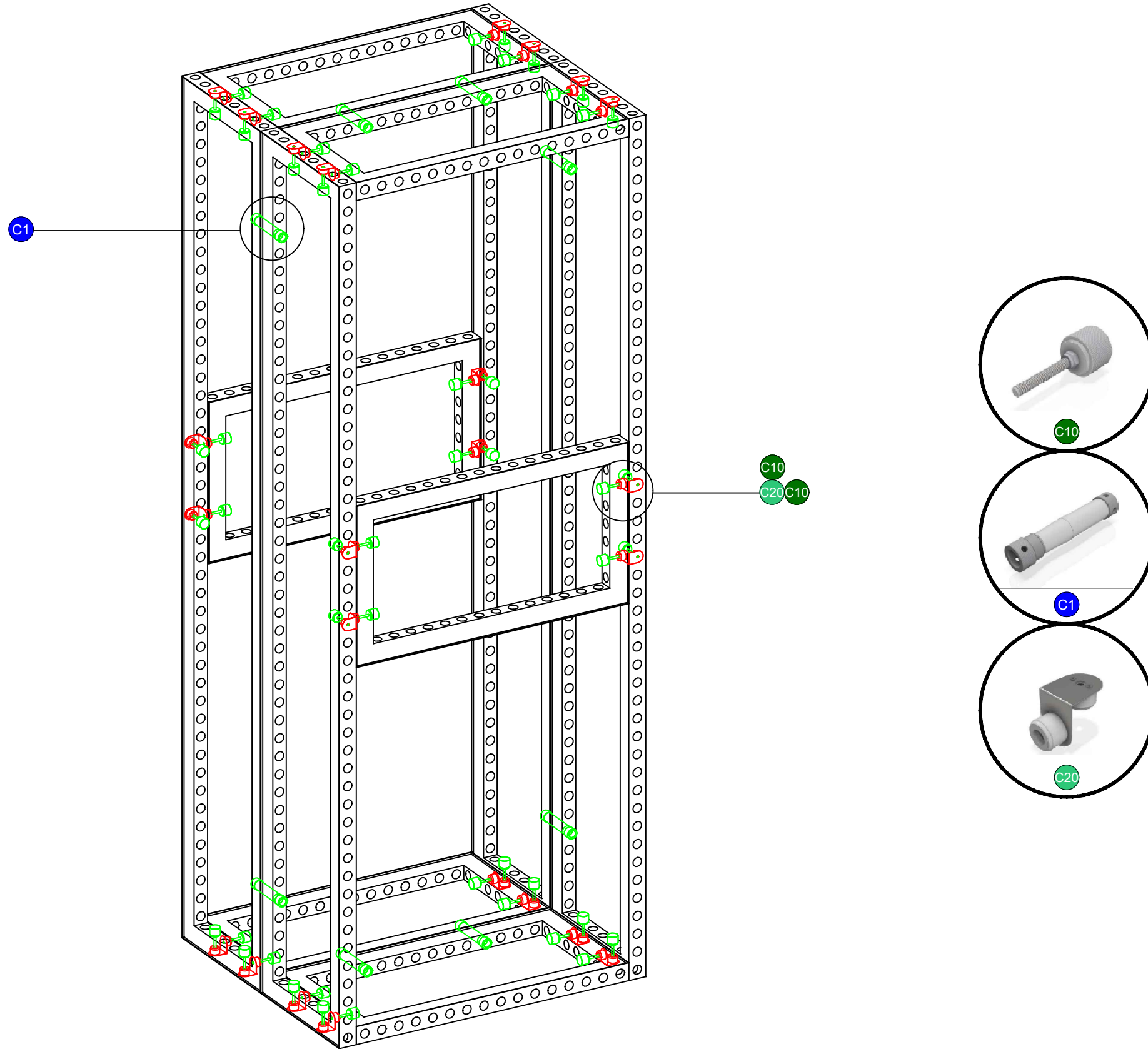
3D VIEW - 2

Pull List

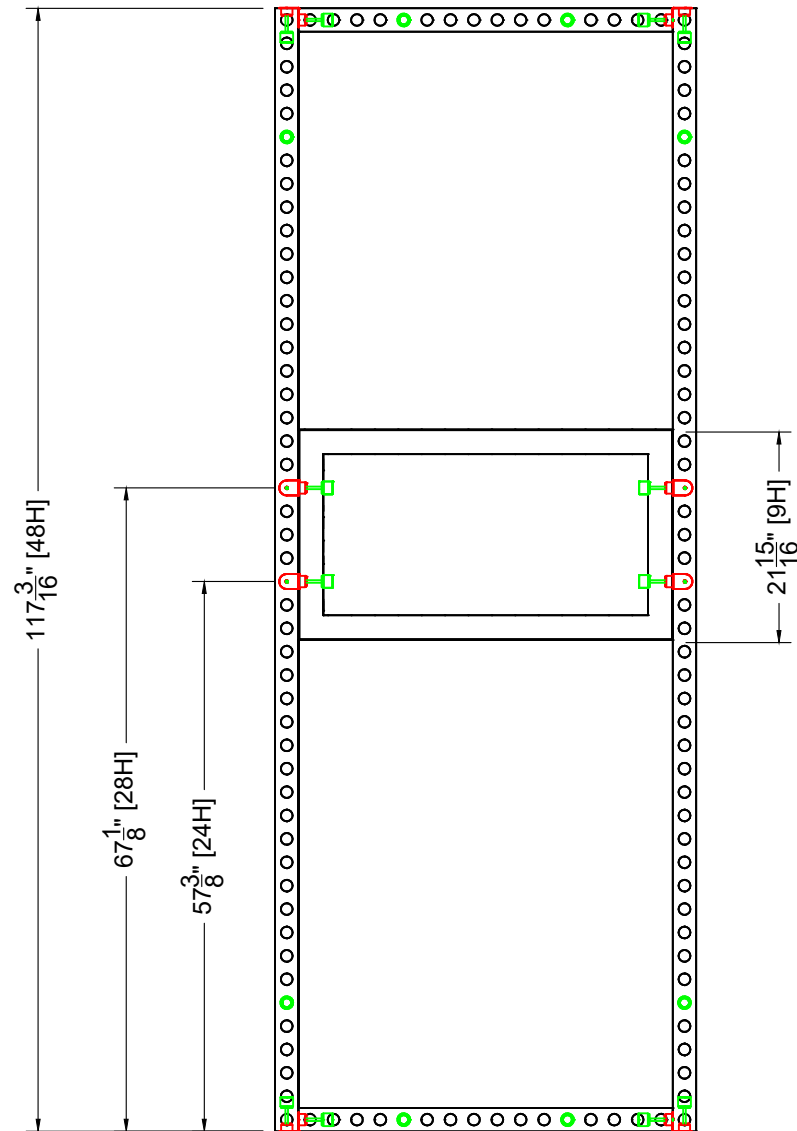
I.D.	Qty	Type	Size	Area (SqFt)	Part Number	Description	Material	Color	Notes	Low Inv.
	1	Accessories	Standard			LED Strip "White Light"	TBD	TBD		
	4	FLEX Frame-Straight	19-1/2" x 117-3/16"		60400029	Straight Frame 08 Hole x 48 Hole	Aluminum	Silver	SF08480001	
	4	FLEX Frame-Straight	19-1/2" x 39-1/16"		60400025	Straight Frame 08 Hole x 16 Hole	Aluminum	Silver	SF08160001	
	2	FLEX Frame-Straight	22" x 39-1/16"		60400030	Straight Frame 09 Hole x 16 Hole	Aluminum	Silver	SF09160001	
C20	24	FLEX Acc-Pin Plate	Standard		60440055	Stainless steel 90° connector base	Steel	Stainless	CO901280222INOX	
C1	8	FLEX Part-Connector	Standard		60440043	Manual Clamp Connector	Aluminum	Silver	CO90120250132POM	
C10	48	FLEX Part-Connector	Standard		60440047	Manual M8 Pin Connector	Aluminum	Silver	CO90120480066MKII	
	8	Flex Insert	19-1/4" x 116-7/8"		60160036	Flex Insert [8x48 Hole]	PVC 3MM	White	w/ Female Velcro	
	6	Flex Insert	19-1/4" x 38-3/4"		60160031	Flex Insert [8x16 Hole]	PVC 3MM	White	w/ Female Velcro	
	6	Flex Insert	21-11/16" x 38-3/4"		60160038	Flex Insert [9x16 Hole]	PVC 3MM	White	w/ Female Velcro	
G1	1	Graphic Panel	See CNC	0		Graphic Panel	1/2" Foam	Graphic		
G2	1	Graphic Panel	See CNC	0		Graphic Panel	3/16" Foam	Graphic		
G3	3	Overlay Graphic Panel	19-1/4" x 111-15/16"	15.0		Overlay Graphic Panel	PVC 3MM	Graphic		
G4	1	Overlay Graphic Panel	39-1/16" x 111-15/16"	30.4		Overlay Graphic Panel	PVC 3MM	Graphic		
G5	2	Overlay Graphic Panel	39-1/16" x 117-3/16"	31.8		Overlay Graphic Panel	PVC 3MM	Graphic		
G6	1	Overlay Graphic Panel	See CNC	0		Overlay Graphic Panel w/ Panel Notch Bottom	PVC 3MM	Graphic		
G7	1	Overlay Graphic Panel	See CNC	0		Overlay Graphic Panel w/ Panel Notch Top	PVC 3MM	Graphic		
G8	4	Overlay Graphic Panel	24" DIA	0		Overlay Graphic	PVC 3MM	Graphic		
G9	2	Overlay Graphic Panel	36" DIA	0		Overlay Graphic	PVC 3MM	Graphic		
O16	5	Overlay Panel	2-7/16" x 39-1/16"	0.7		Cover Profile 16 Hole	PVC 3MM	Graphic		
O48	2	Overlay Panel	2-7/16" x 117-3/16"	2.0		Cover Profile 48 Hole	PVC 3MM	Graphic		
	4	Chair	30" x 23-1/4" x 30"			Montreal Chair	Fabric	Blue		
	2	Furniture	12" x 12" x 28-1/4"			Village Charging Hub	Metal	White		
	4	Ottoman	17" x 17" x 18"			Marche Swivel Ottoman, Pear Yellow Fabric	Fabric	Pear Yellow		
	2	Soft Seating	69" x 29" x 33"			Palm Beach Sofa	Vinyl	White		
	2	Table	32-1/4" x 32-1/4" x 17-3/4"			Mesa Cocktail Table, Glass	Laminate	Softec Barnwood		
	4	Table	32-1/4" x 32-1/4" x 17-3/4"			Mesa End Table, Glass	Laminate	Softec Barnwood		



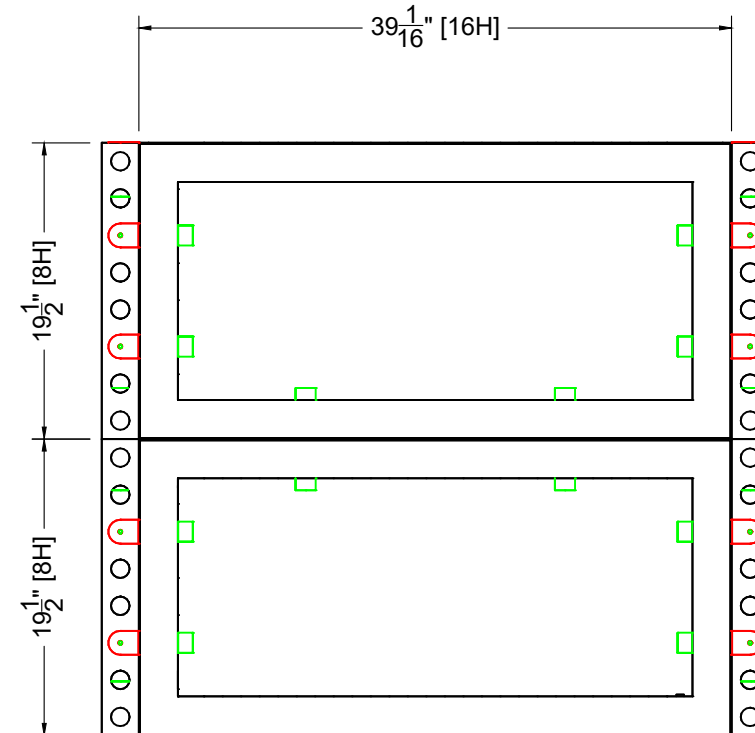
PLAN VIEW



STRUCTURE VIEW

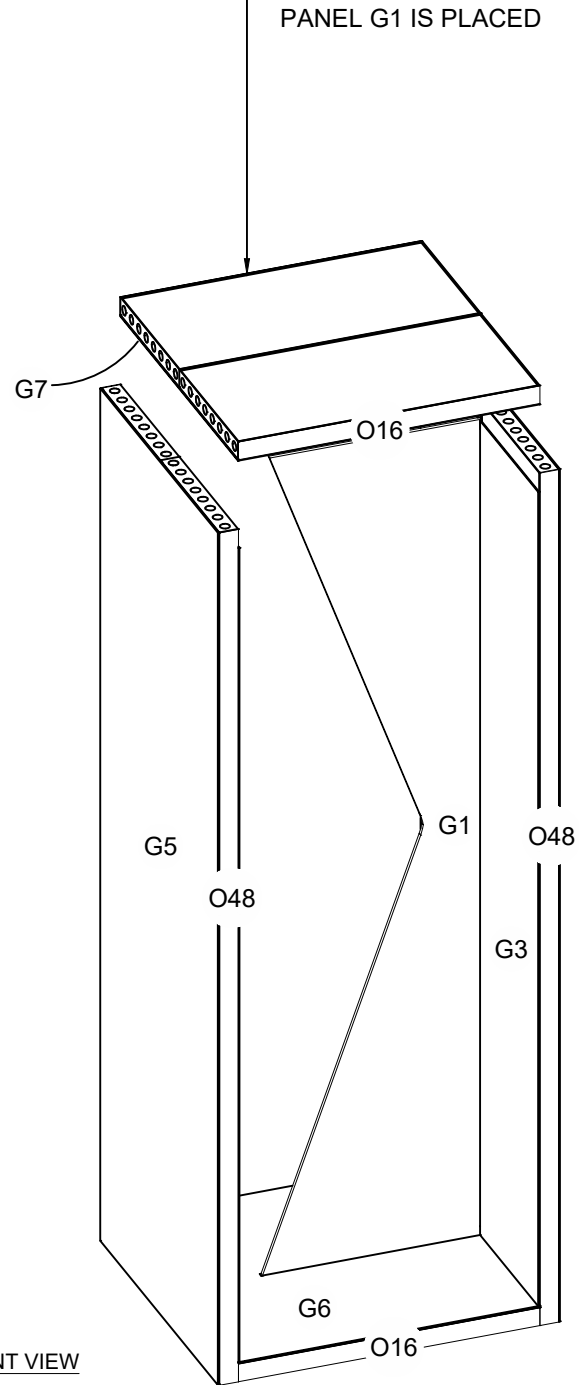


FRONT ELEVATION

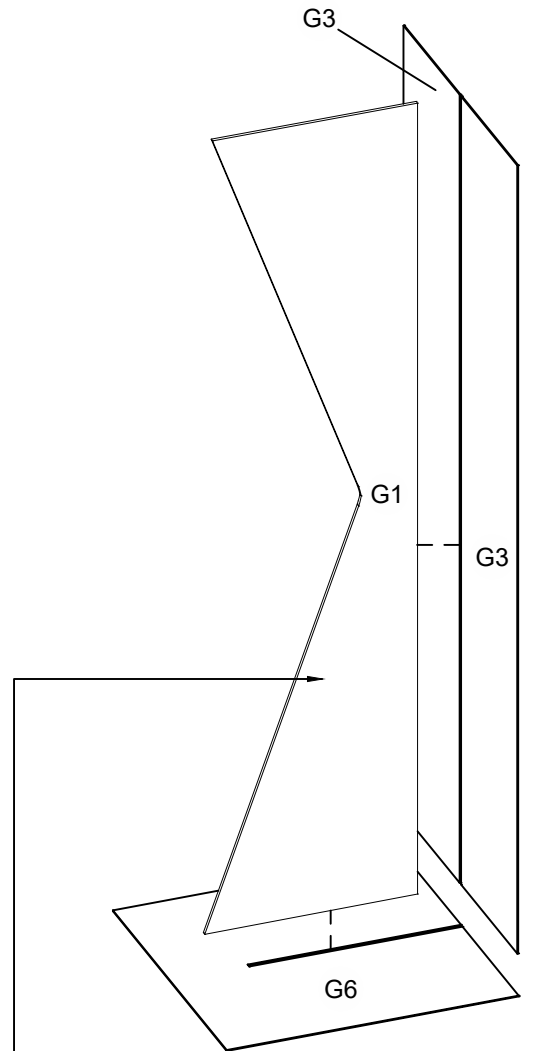


PLAN VIEW

THESE TWO FRAMES
ALONG WITH PANEL G7
WILL NEED TO BE
INSTALLED AFTER
PANEL G1 IS PLACED

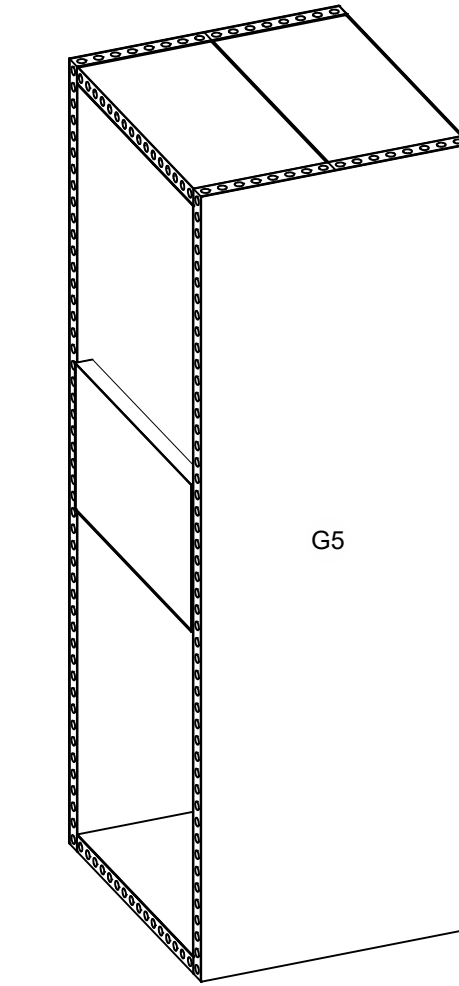


FRONT VIEW



PANEL G1 IS HELD IN PLACE BY
G6 AND (2) G3 PANELS

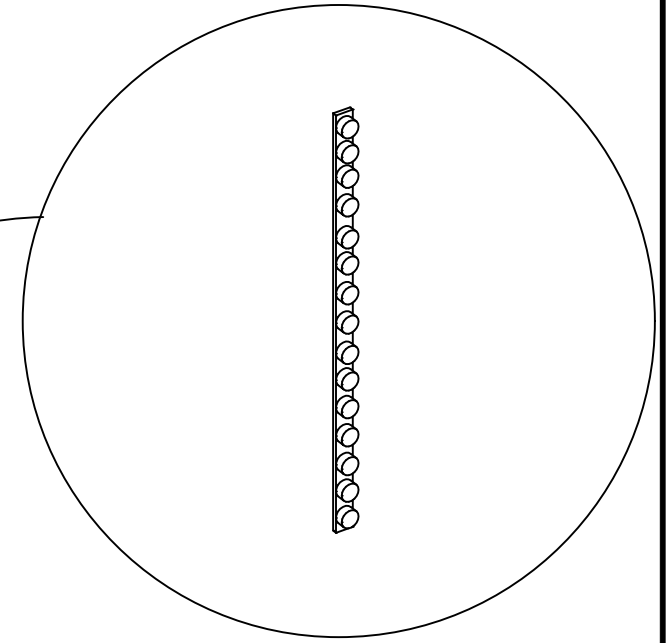
INSTALL G6 PANEL FIRST, THEN
INSTALL THE G1 PANEL
FOLLOWED BY BOTH G3
PANELS

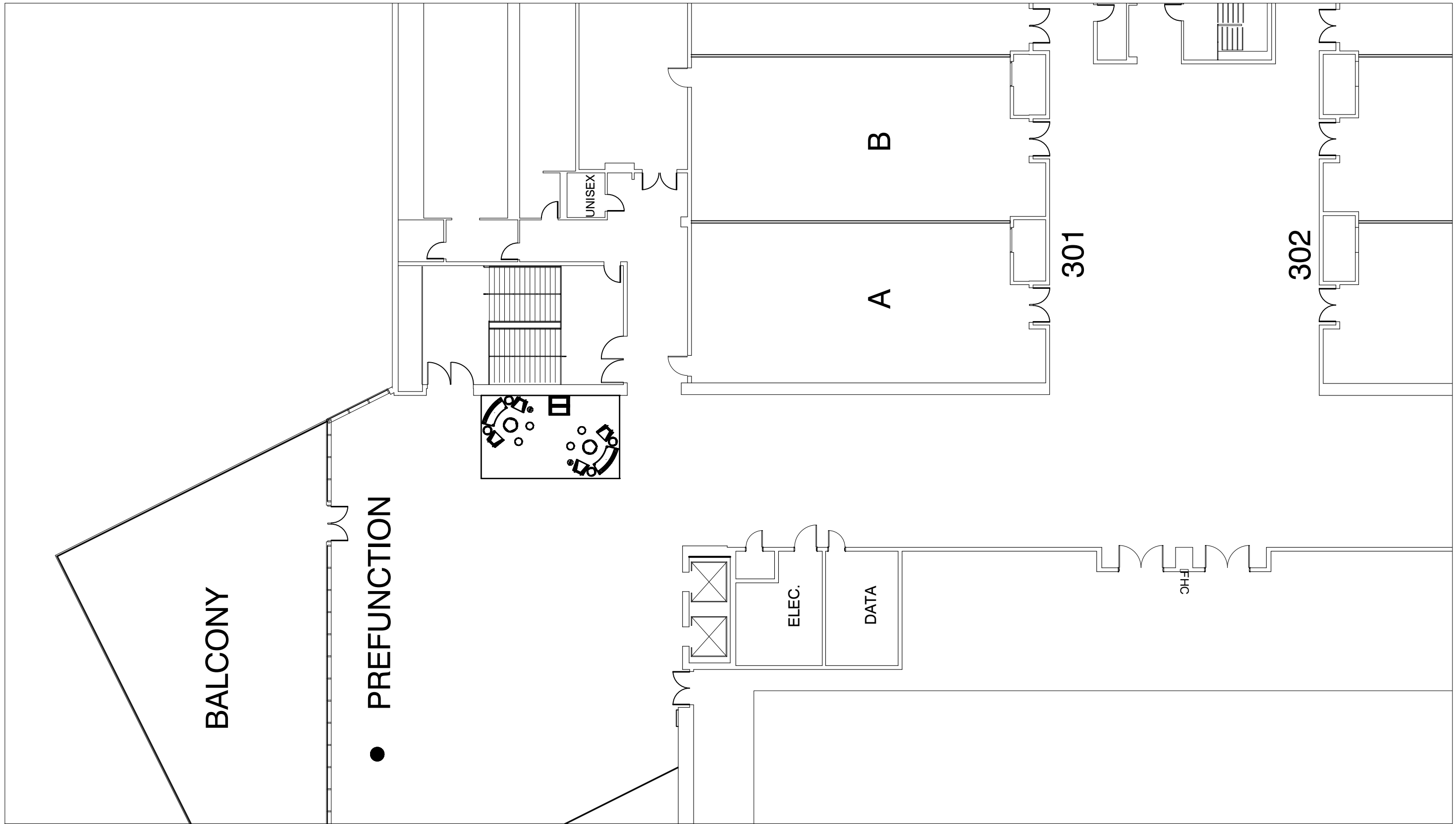


BACK VIEW

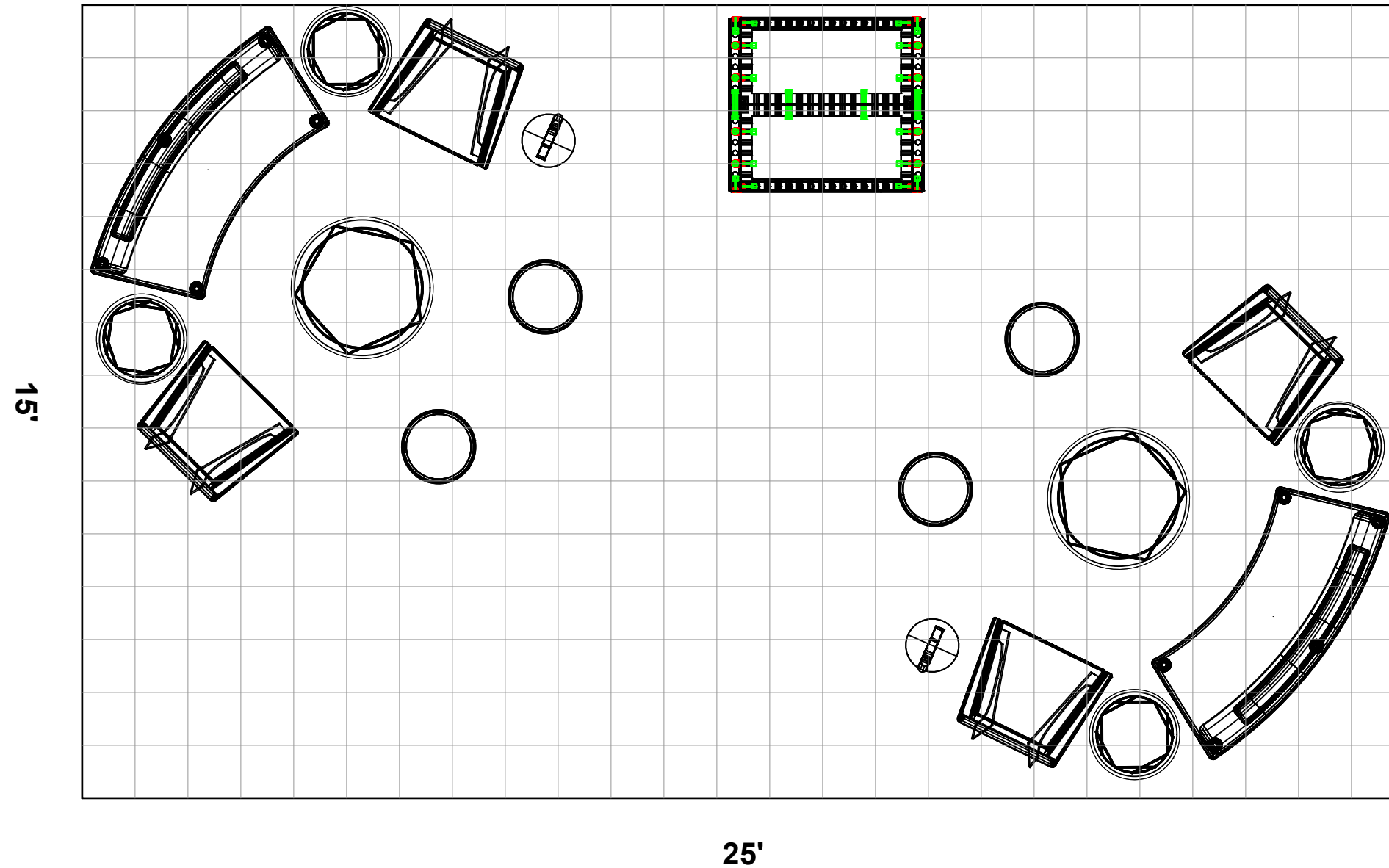
PLACE A 12" LED LIGHT STRIP (OR
SIMILAR PRODUCT THAT EMITS A
WHITE LIGHT ON THE BACK OF THE
9X16H FRAME THAT SUPPORTS THE G2
PANEL (ONLY NEEDED ON FRONT SIDE
OF TOWER)

THIS LIGHT WILL WASH THE G1 PANEL





OVERALL FLOORPLAN



UTILITIES LEGEND - 1' GRID

QTY	DESCRIPTION
--	(5A) - 120V, 5 Amp
--	(10A) - 120V, 10 Amp
--	▽ - INTERNET LINE

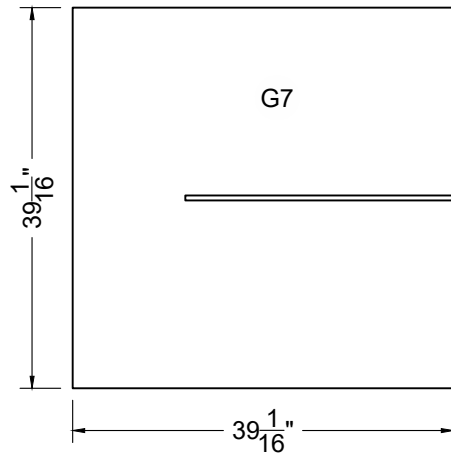
ORDERED BY:

ORDER DATE:

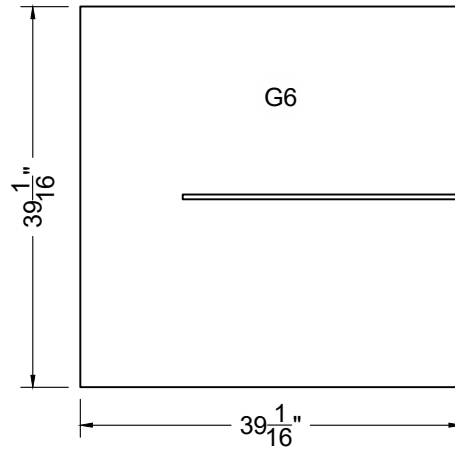
DUE DATE:

11

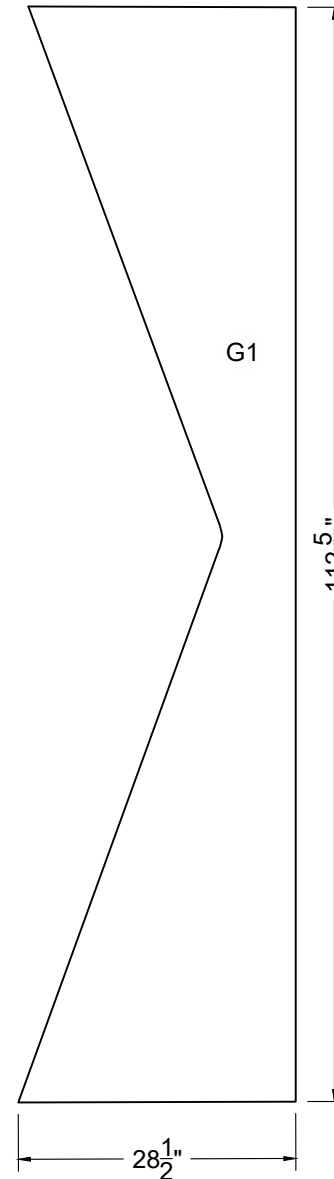
8579957



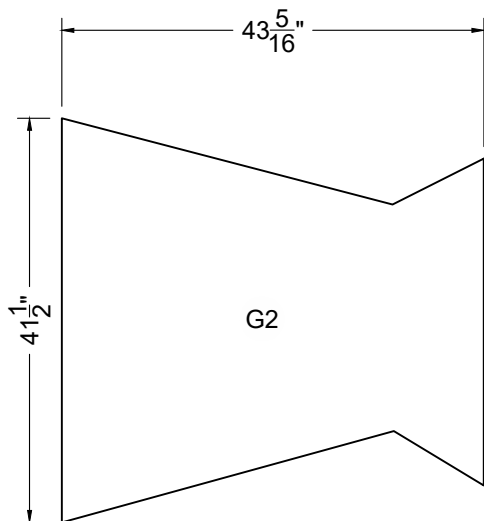
NAME: TOP PANEL WITH NOTCH
MATERIAL: PVC
NOTES: GRAPHIC
QTY: 1
NEED TO CUT:



NAME: BOTTOM PANEL WITH NOTCH
MATERIAL: PVC
NOTES: GRAPHIC
QTY: 1
NEED TO CUT:



NAME: CENTER PANEL
MATERIAL: 1/2" FOAM
NOTES: GRAPHIC
QTY: 1
NEED TO CUT:



NAME: G2 PANEL
MATERIAL: 3/16" FOAM
NOTES: GRAPHIC
QTY: 1
NEED TO CUT:

C:_Vault\Designs_Projects\A\Am Acdmy of Allergy Asthma & Immunology Annual Mtg\AAAAI2302\Event\CAD\Charging Lounge 1_CNC\AAAAI23 Charging Lounge 1 L8579920 CNC.dxf