

Freeman¹

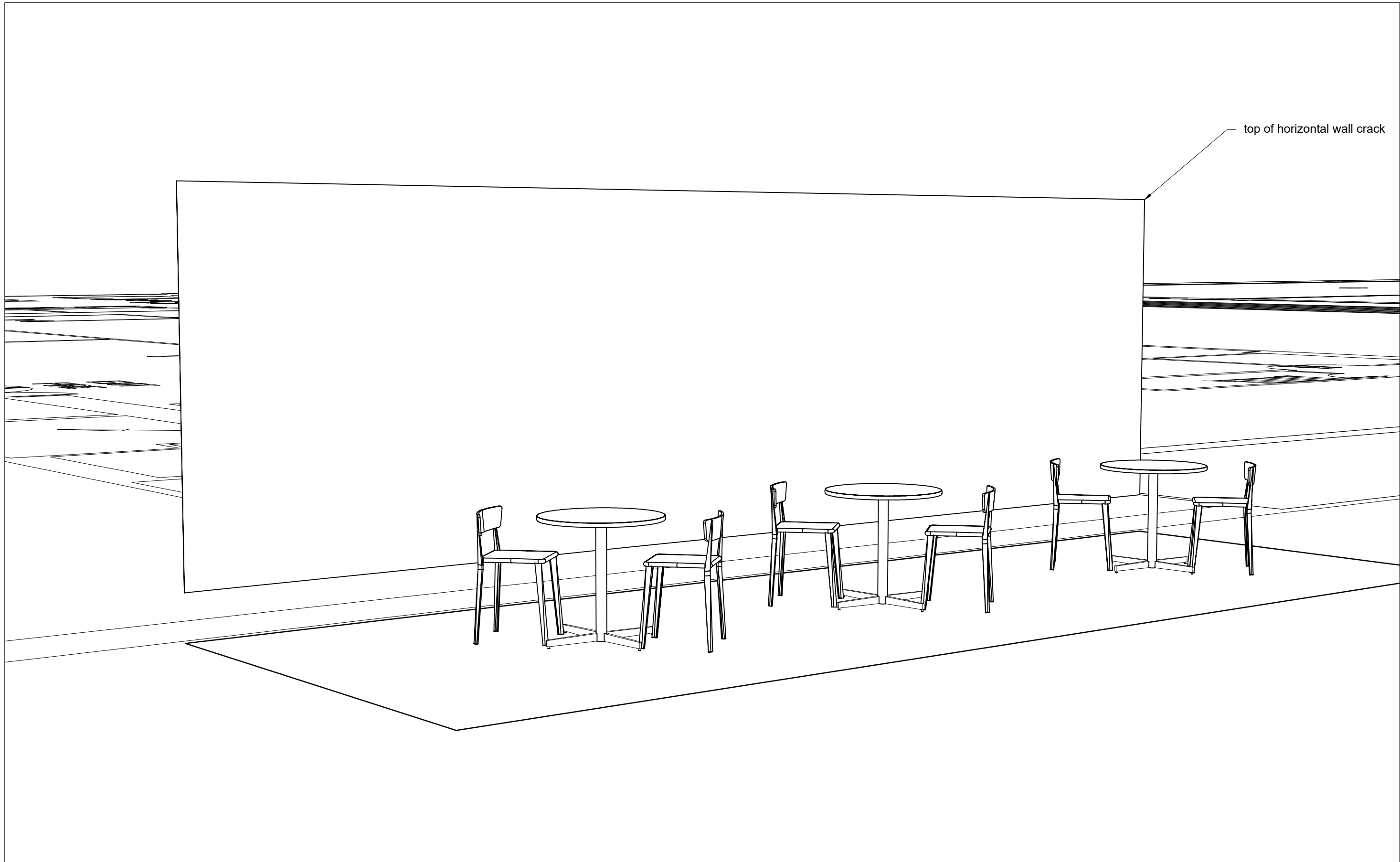
TableTop Branding 4

AAAAI 2023 Annual Conference

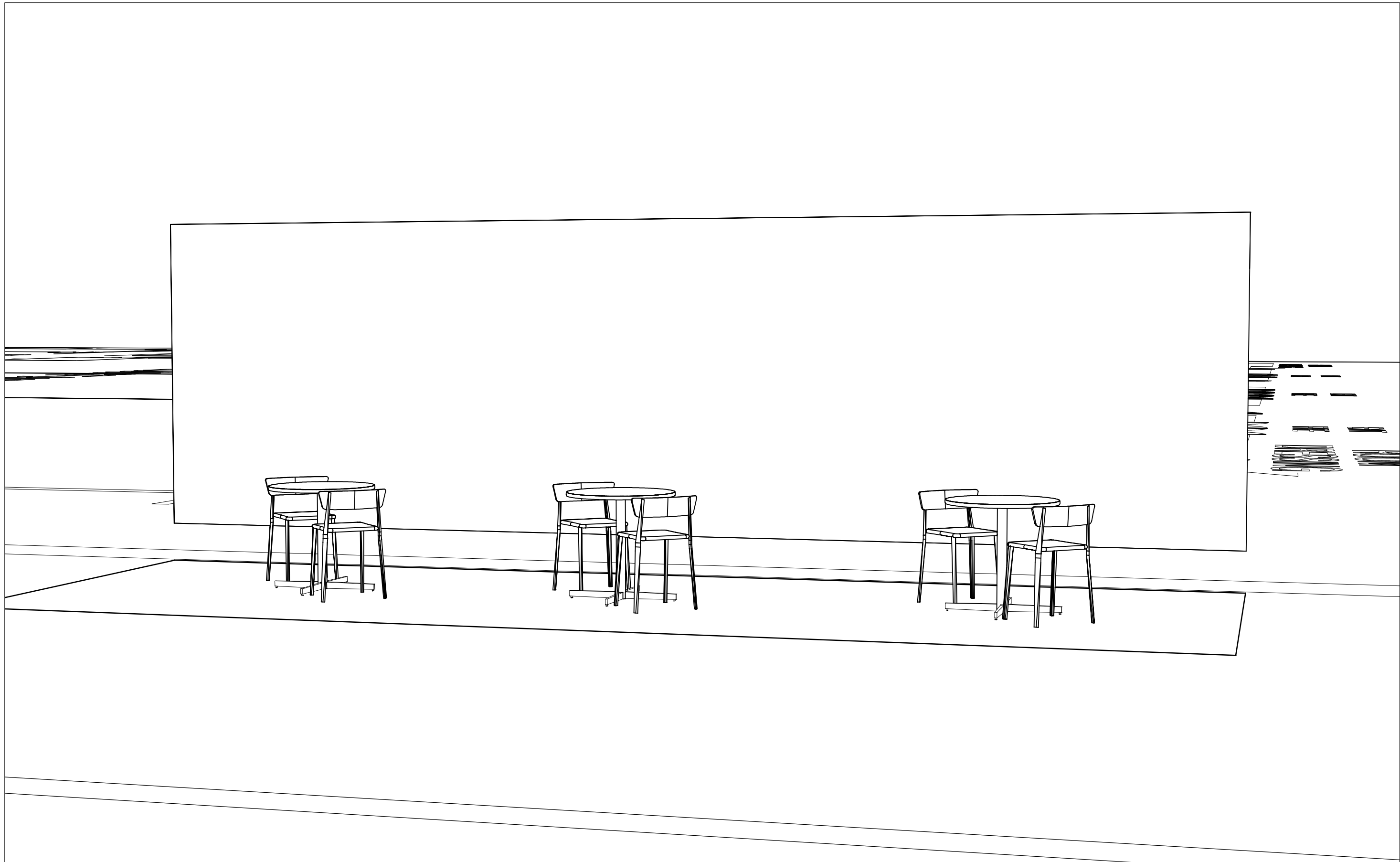
Jun 27, 2022







top of horizontal wall crack



PRELIMINARY - NOT FOR PRODUCTION

TABLE TOP BRANDING 4

EXHIBIT NAME / UNIT NAME

RIDGE HALL

EXHIBIT # / UNIT LOCATION

Am Acdmy of Allergy Asthma & Immunology Annual Mtg

EVENT NAME

HENRY B GONZALEZ CONVENTION CENTER
San Antonio, TX | 02/24/23-02/27/23

EVENT FACILITY / DATES

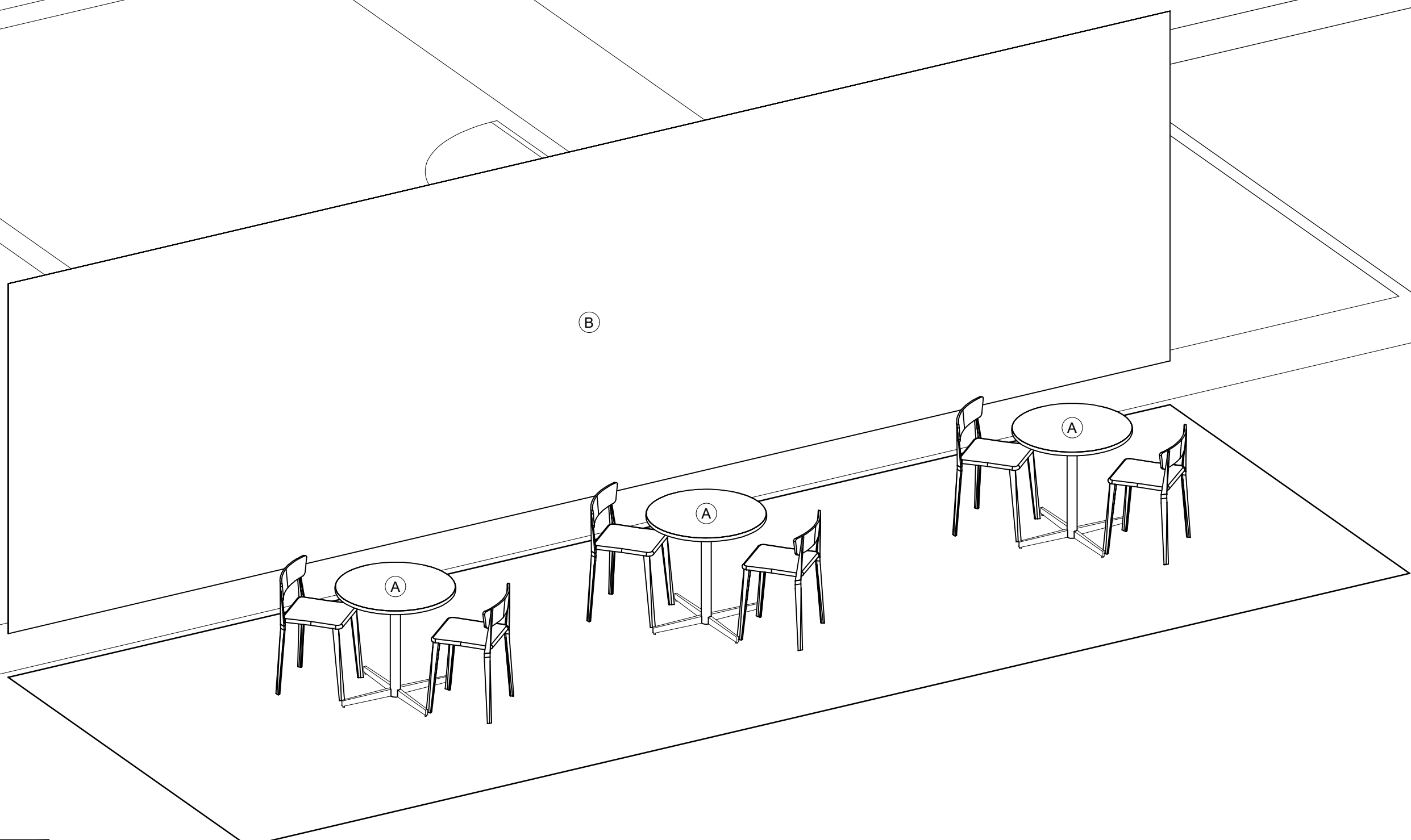
8686061

PASSPORT LINE ITEM #

WORK TICKET #

513092

JOB #



LESS THAN 30 DAYS OUT



MORE THAN 30 DAYS OUT



Business Development Mgr:
Jennifer Chagnon

Client Solutions Mgr:
Paula MacMullan

Designer:
Yader Jiron

Detailer:

Last Saved:
6/27/2022 1:36 PM

Revision:
A

These original concepts and designs are sole property of FREEMAN. Any reproduction or use is prohibited without written consent of FREEMAN. © Copyright 2022 FREEMAN

File Name/Path: C:_Vault\Designs_Projects\A\Am Acdmy of Allergy Asthma & Immunology Annual Mtg\AAAAI2302\Event\CAD\TableTop Branding 4\AAAAI23 TableTop Branding 4 L8686061 DESBW.dwg

PRELIMINARY - NOT FOR PRODUCTION

TABLE TOP BRANDING 4

EXHIBIT NAME / UNIT NAME

RIDGE HALL

EXHIBIT # / UNIT LOCATION

Am Acdmy of Allergy Asthma & Immunology Annual Mtg

EVENT NAME

HENRY B GONZALEZ CONVENTION CENTER
San Antonio, TX | 02/24/23 - 02/27/23

EVENT FACILITY / DATES

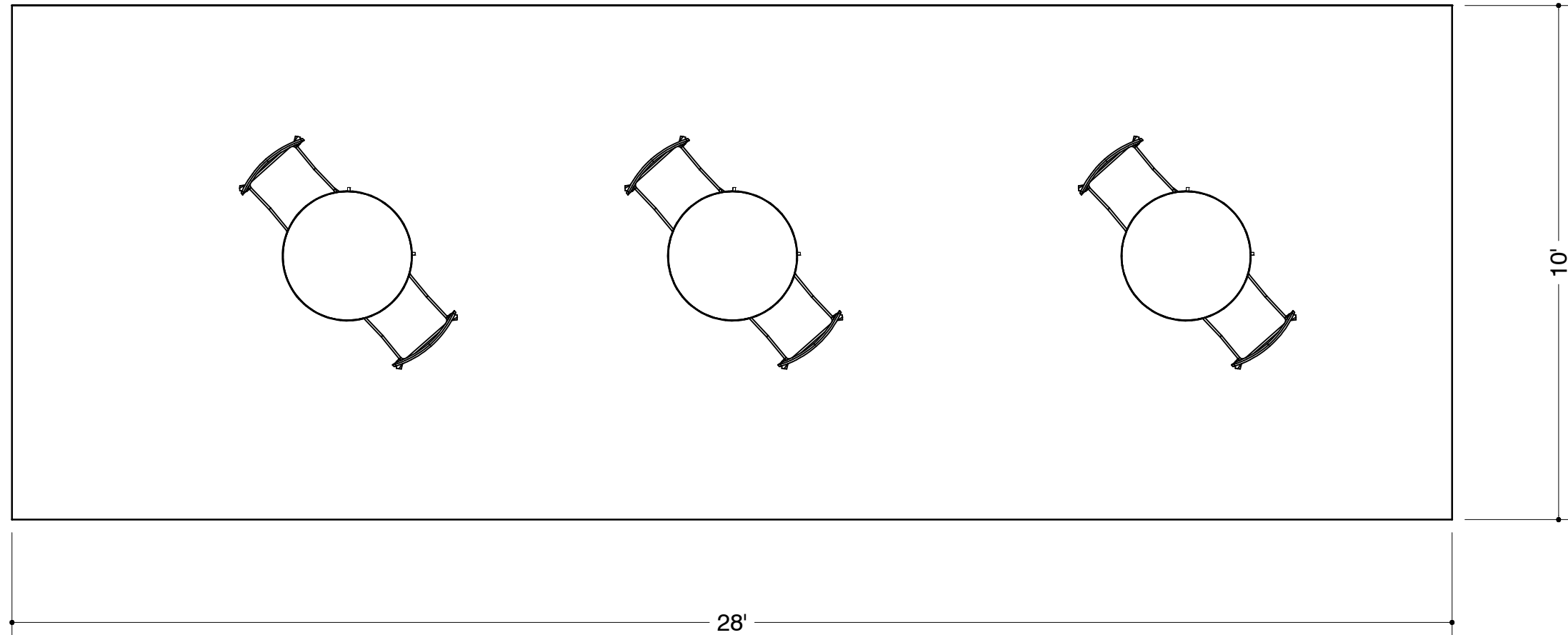
8686061

PASSPORT LINE ITEM #

WORK TICKET #

513092

JOB #



PRELIMINARY - NOT FOR PRODUCTION

TABLE TOP BRANDING 4

EXHIBIT NAME / UNIT NAME

RIDGE HALL

EXHIBIT # / UNIT LOCATION

Am Acdmy of Allergy Asthma & Immunology Annual Mtg

EVENT NAME

HENRY B GONZALEZ CONVENTION CENTER
San Antonio, TX | 02/24/23 - 02/27/23

EVENT FACILITY / DATES

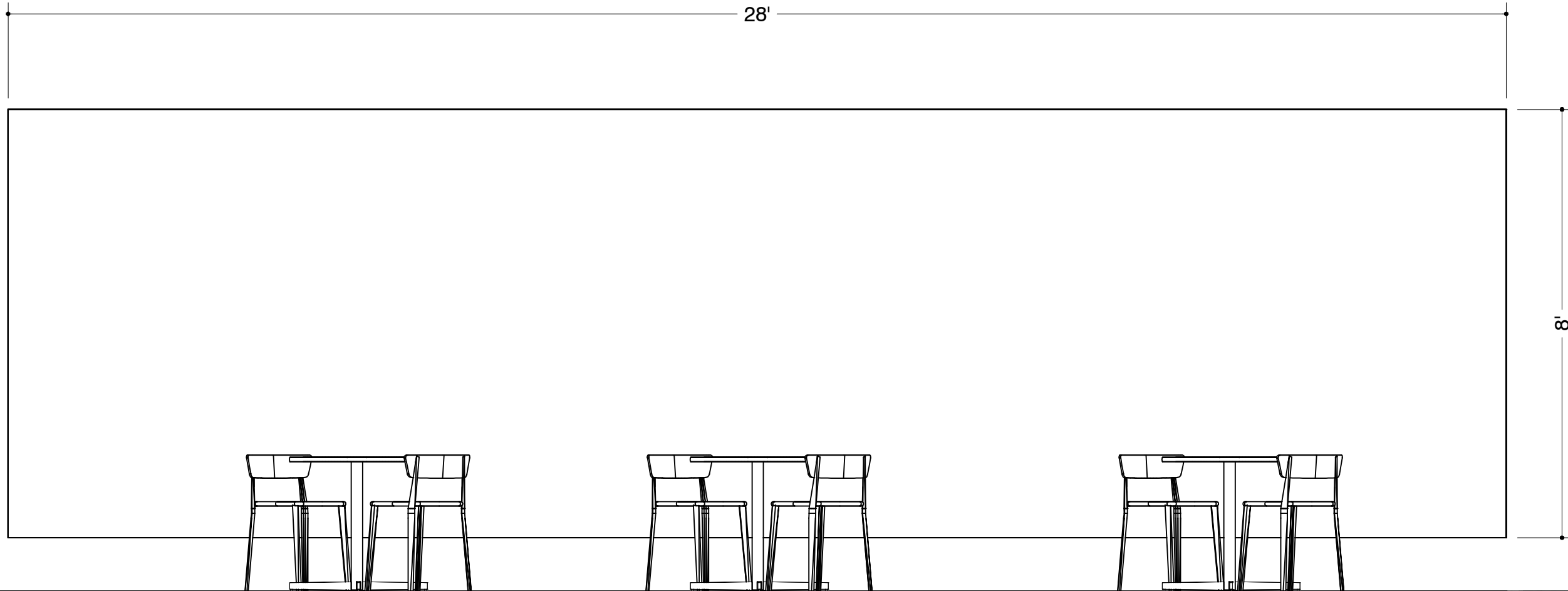
8686061

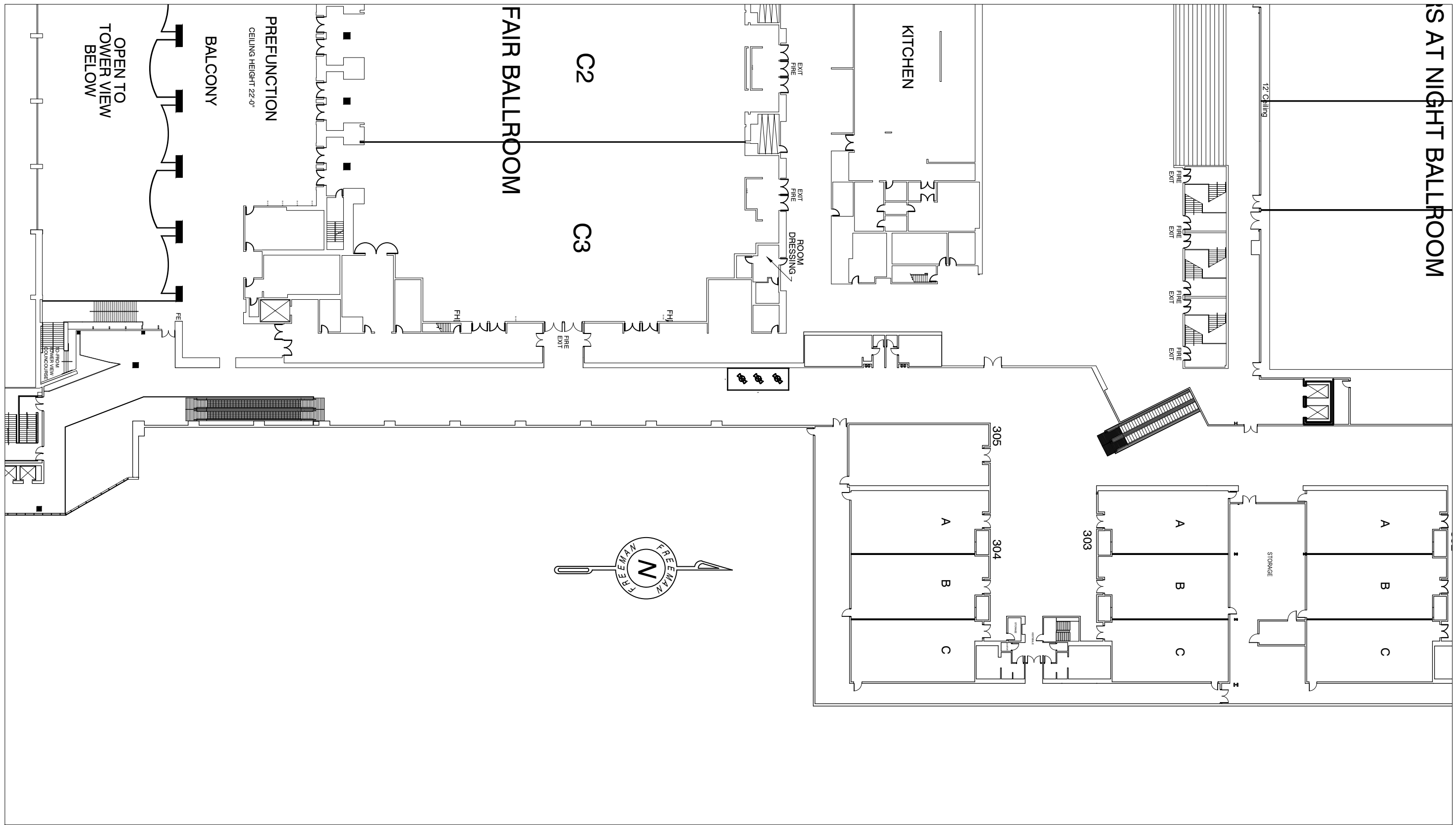
PASSPORT LINE ITEM #

WORK TICKET #

513092

JOB #





OVERALL FLOORPLAN
Scale: 3/128" = 1'-0"

PRELIMINARY - NOT FOR PRODUCTION

TABLE TOP BRANDING 4

EXHIBIT NAME / UNIT NAME

RIDGE HALL

EXHIBIT # / UNIT LOCATION

Am Acdmy of Allergy Asthma & Immunology Annual Mtg

EVENT NAME

HENRY B GONZALEZ CONVENTION CENTER
San Antonio, TX | 02/24/23 - 02/27/23

EVENT FACILITY / DATES

8686061

PASSPORT LINE ITEM #

WORK TICKET #

513092

JOB #

Not for Production

I.D.	Qty	Type	Size	Area (SqFt)	Part Number	Description	Material	Color	Low Inv.
A	3	Overlay Graphic Panel	30" x 30"	6.3		table Graphic	table Graphic	table Graphic	
B	1	Overlay Graphic Panel	336" x 96"	224.0		Wall Graphic 28' W x 8' H	Wall Graphic	Wall Graphic	
	6	Chair	20-1/2" x 19" x 30-1/2"			Blade Chair, Red	Plastic	Red	
	3	Table	30" x 30" x 29"			30" Round Madison Cafe Table w/ Standard Black Base, Gray Ac	Laminate	Gray Acajou	