

Freeman¹

Water Handout Station

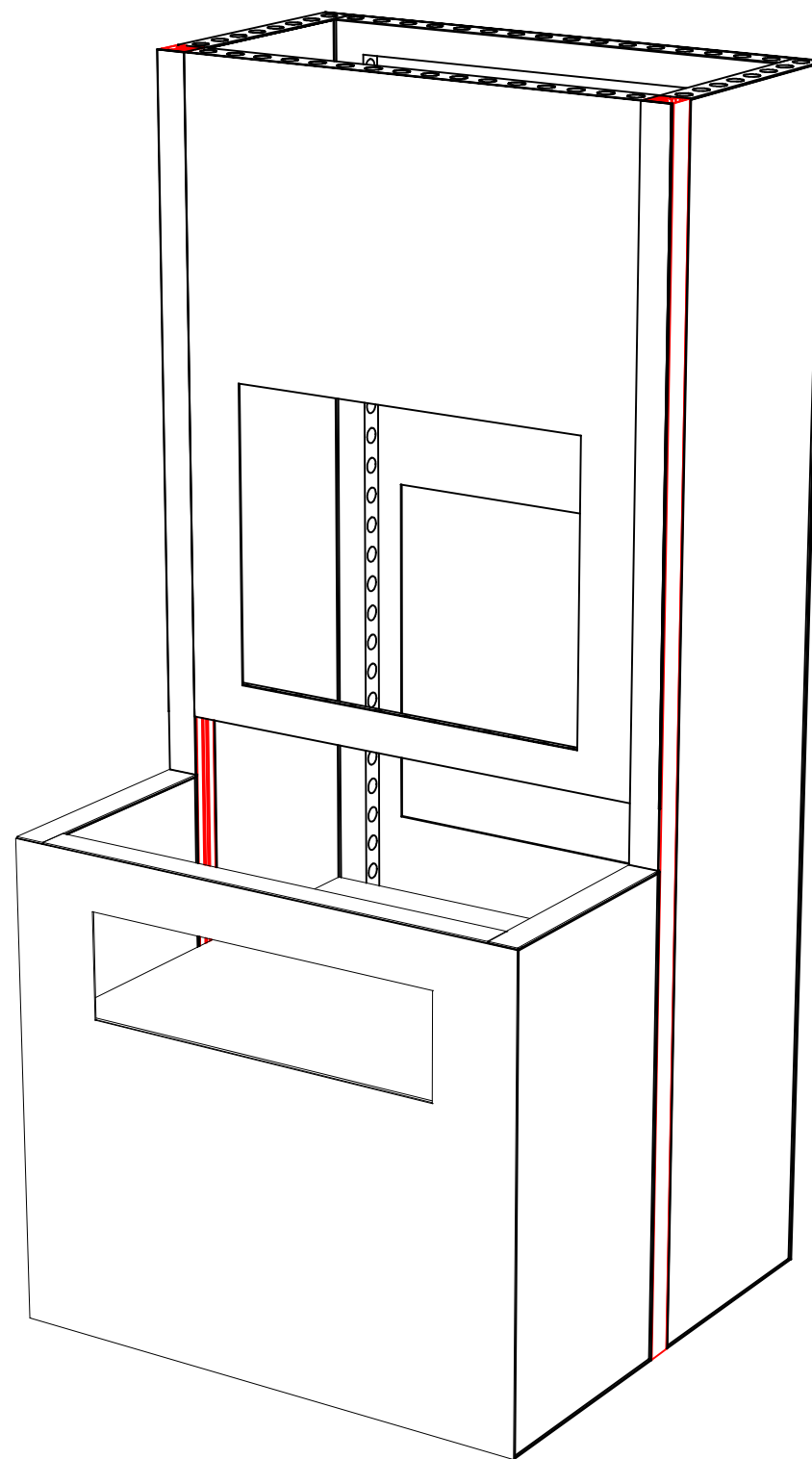
AAAAI 2023 Annual Conference

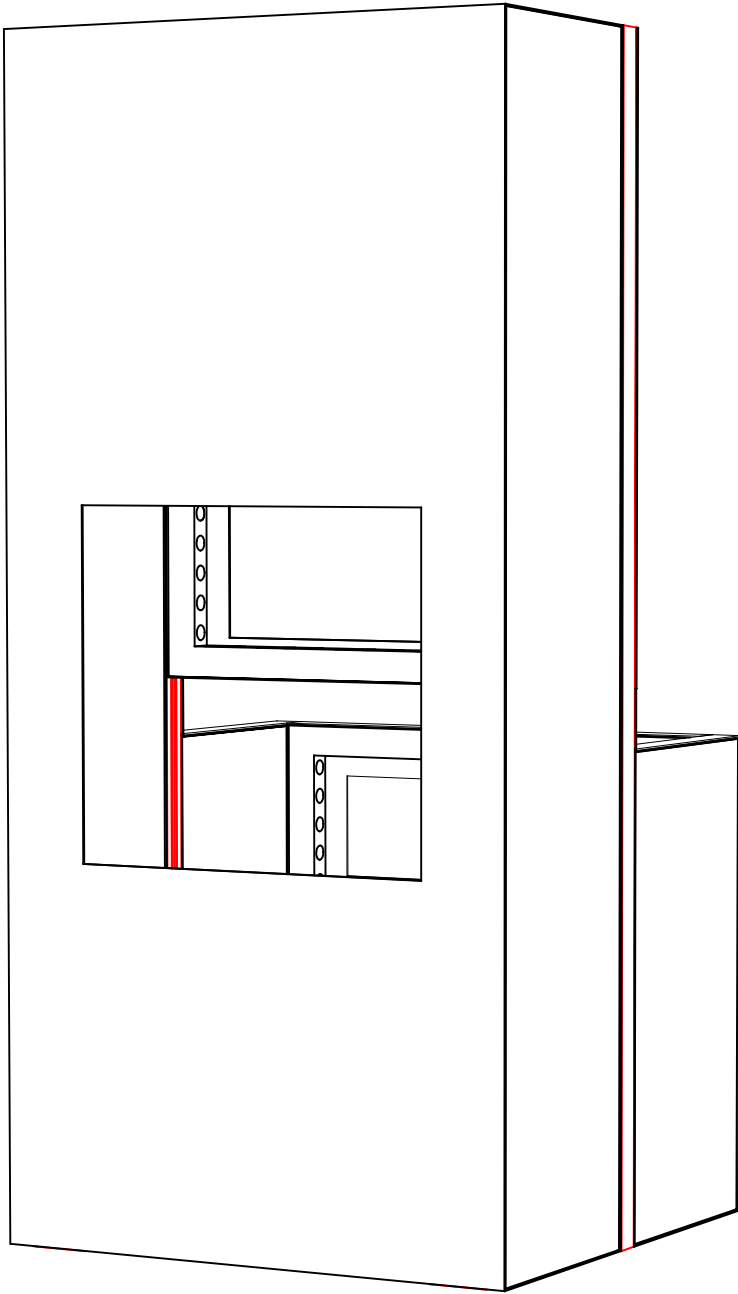
Aug 3, 2022

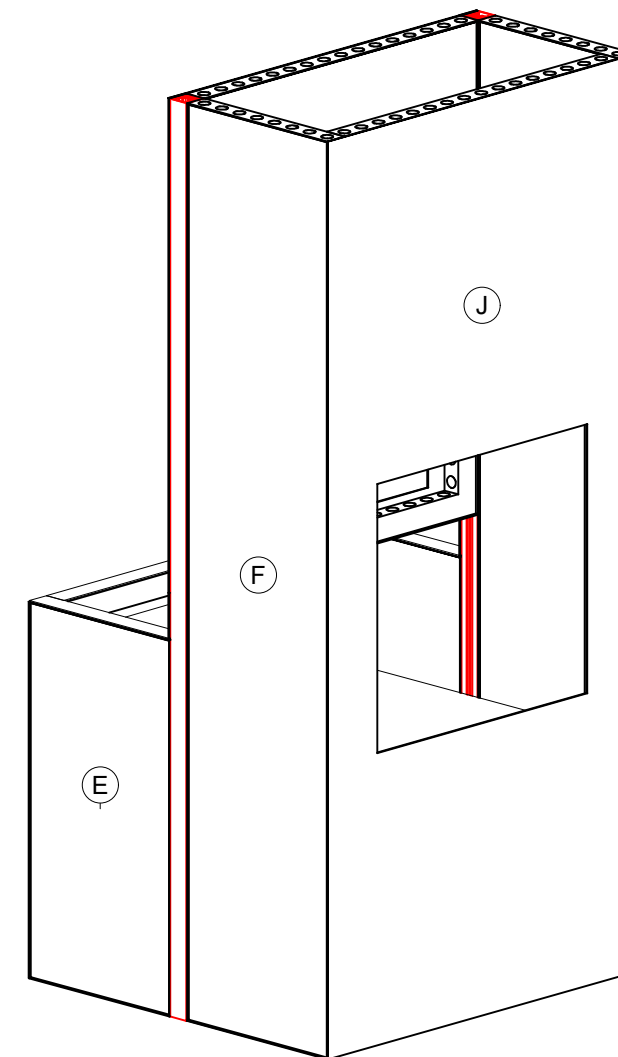
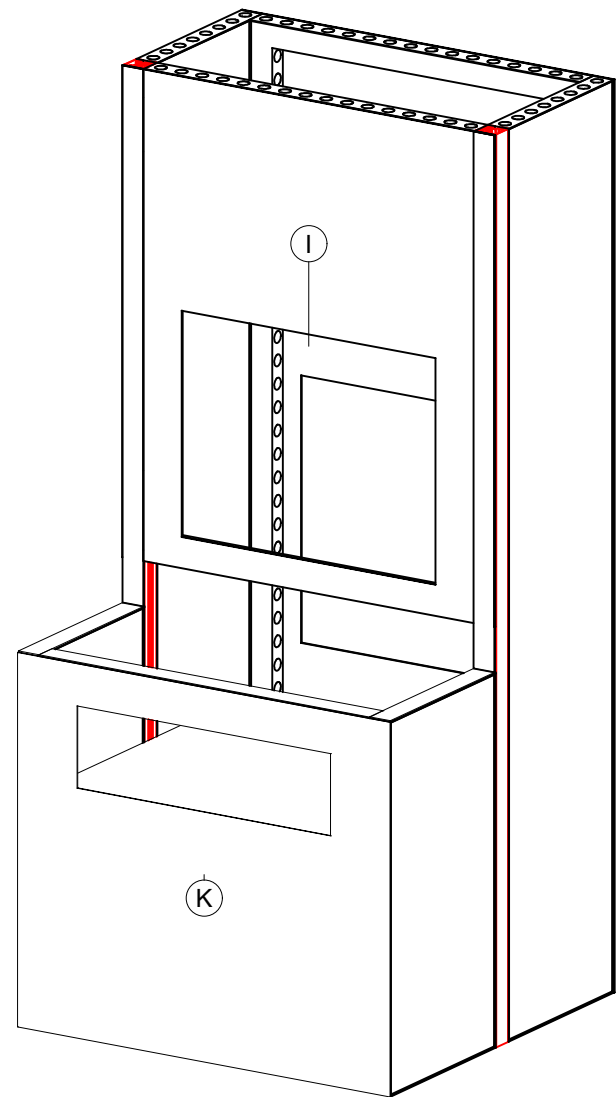












LESS THAN 30 DAYS OUT

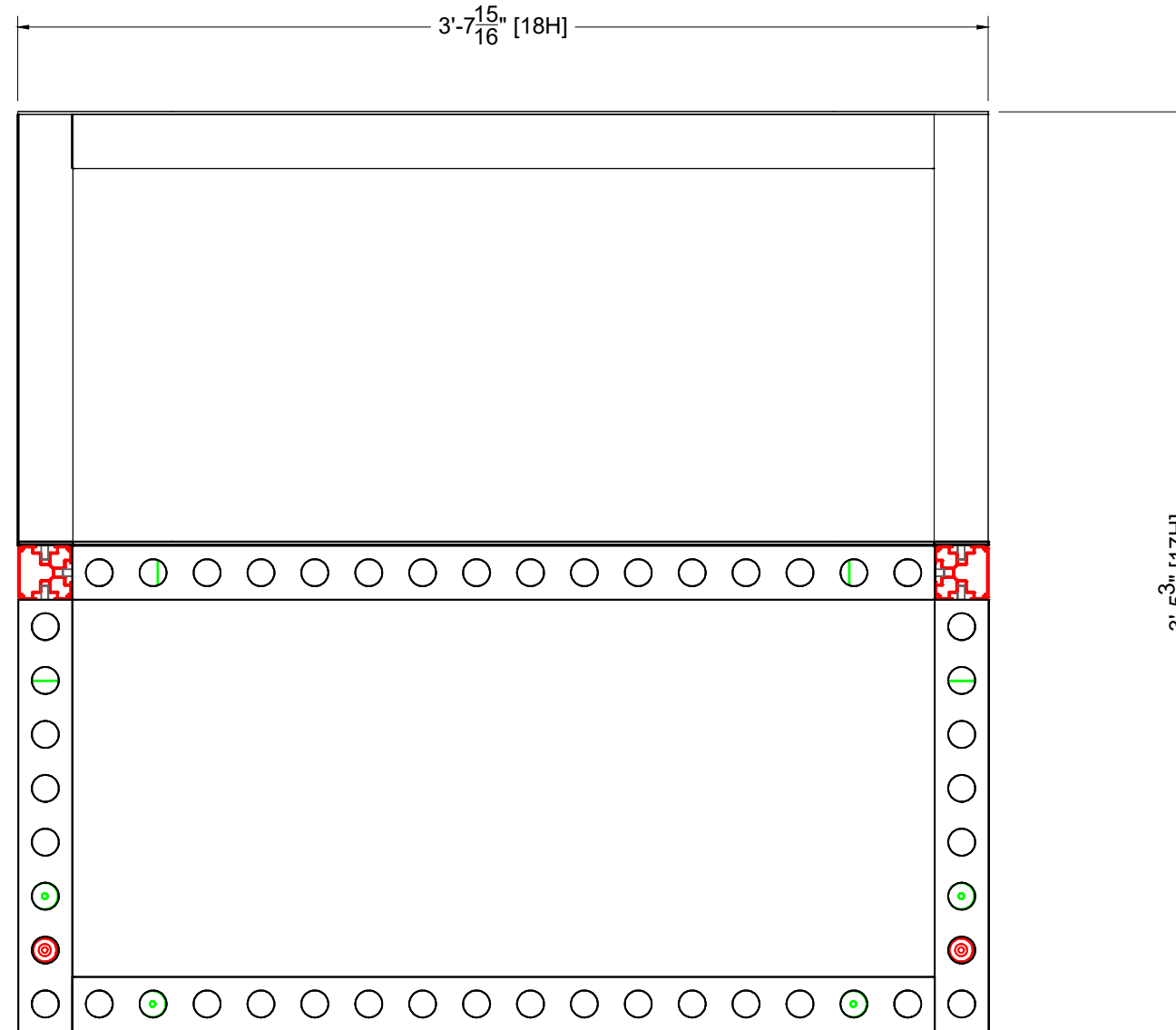


* 0 0 0 0 0 0 0 0 0 1 . 1 0 1 . 0 *

MORE THAN 30 DAYS OUT



* 0 0 0 0 0 0 0 0 0 1 . 1 0 1 . 1 *



PRELIMINARY - NOT FOR PRODUCTION

Water Handout Station

EXHIBIT NAME / UNIT NAME

EXHIBIT HALL 2

EXHIBIT # / UNIT LOCATION

Am Acdmy of Allergy Asthma & Immunology Annual Mtg

EVENT NAME

HENRY B GONZALEZ CONVENTION CENTER
San Antonio, TX | 02/24/23 - 02/27/23

EVENT FACILITY / DATES

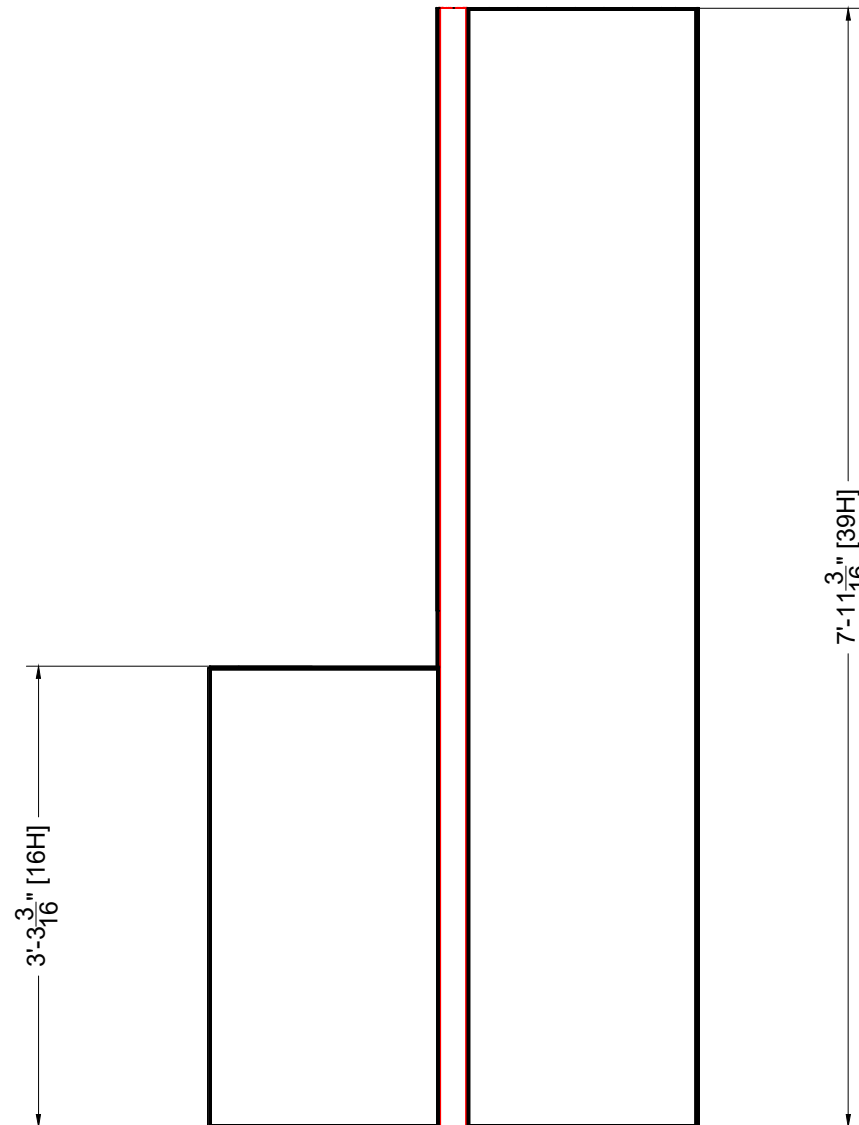
8824337

PASSPORT LINE ITEM #

WORK TICKET #

513092

JOB #



Not for Production

I.D.	Qty	Type	Size	Area (SqFt)	Part Number	Description	Material	Color	Low Inv.
	1	Counter Top	38-15/16" x 36-1/2"			Counter Top	Melamine	White	
	1	FLEX Frame-Straight	12-3/16" x 39-1/16"		60400009	Straight Frame 05 Hole x 16 Hole	Aluminum	Silver	X
	2	FLEX Frame-Straight	19-1/2" x 39-1/16"		60400025	Straight Frame 08 Hole x 16 Hole	Aluminum	Silver	
	2	FLEX Frame-Straight	19-1/2" x 95-3/16"		60400028	Straight Frame 08 Hole x 39 Hole	Aluminum	Silver	
	2	FLEX Frame-Straight	39-1/16" x 39-1/16"		60400037	Straight Frame 16 Hole x 16 Hole	Aluminum	Silver	
	1	FLEX Frame-Straight	39-1/16" x 95-3/16"		60400043	Straight Frame 16 Hole x 39 Hole	Aluminum	Silver	
	2	FLEX Acc-Corner Post	95-3/16"		60440012	Square corner profile w/ 3 sides x 39 hole	Steel	Gray	
C20	4	FLEX Acc-Pin Plate	Standard		60440055	Stainless steel 90° connector base	Steel	Stainless	
P2	4	FLEX Acc-Pin Plate	Standard		60440060	4 Pin 90	Steel	Chrome	
S2	4	FLEX Acc-Shelf Bracket	Standard		60410028	Small Shelf Bracket	Steel	Gray	
C10	16	FLEX Part-Connector	Standard		60440047	Manual M8 Pin Connector	Aluminum	Silver	
C12	10	FLEX Part-Connector	Standard		60440048	Manual M8 pin connector for LEDSkin	Aluminum	Silver	
A	2	FLEX Insert Acrylic	38-3/4" x 0-1/16" x 94-15/16"			Flex Plex Inset	Flex Plex Inset	Flex Plex Inset	
B	2	Flex Acrylic Insert	38-3/4" x 38-3/4"		60160046	Flex Insert [16x16 Hole]	Acrylic	Clear	
C	2	Flex Acrylic Insert	38-3/4" x 38-3/4"		60160046	Flex Insert [16x16 Hole]	Acrylic	Clear - W/ 3" White Printed Bo	
D	2	Flex Insert	11-15/16" x 38-3/4"		60160011	Flex Insert [5x16 Hole]	PVC 3MM	White	
E	4	Flex Insert	19-1/4" x 38-3/4"		60160031	Flex Insert [8x16 Hole]	PVC 3MM	White	
F	4	Flex Insert	19-1/4" x 94-15/16"		60160035	Flex Insert [8x39 Hole]	PVC 3MM	White	
G	2	Overlay Panel	2-7/16" x 19-1/2"	0.3		Cover Profile 8 Hole	PVC 3MM	White	
H	1	Overlay Panel	2-7/16" x 39-1/16"	0.7		Cover Profile 16 Hole	PVC 3MM	White	
I	1	FLEX Fabric Graphic	43-15/16" x 51-5/16"	15.7		front overlay	PCV	graphic	
J	1	FLEX Fabric Graphic	43-15/16" x 95-3/16"	29.0		back overlay	PCV	graphic	
K	1	Overlay Panel	See CNC Page: 43-15/16" x 39-1/16"	0		Lanyard Bin Front Panel	PVC 3MM	Graphic	