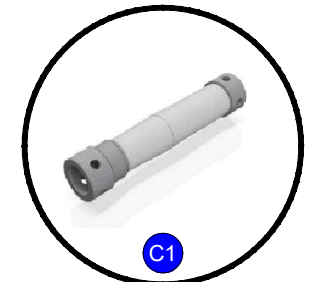
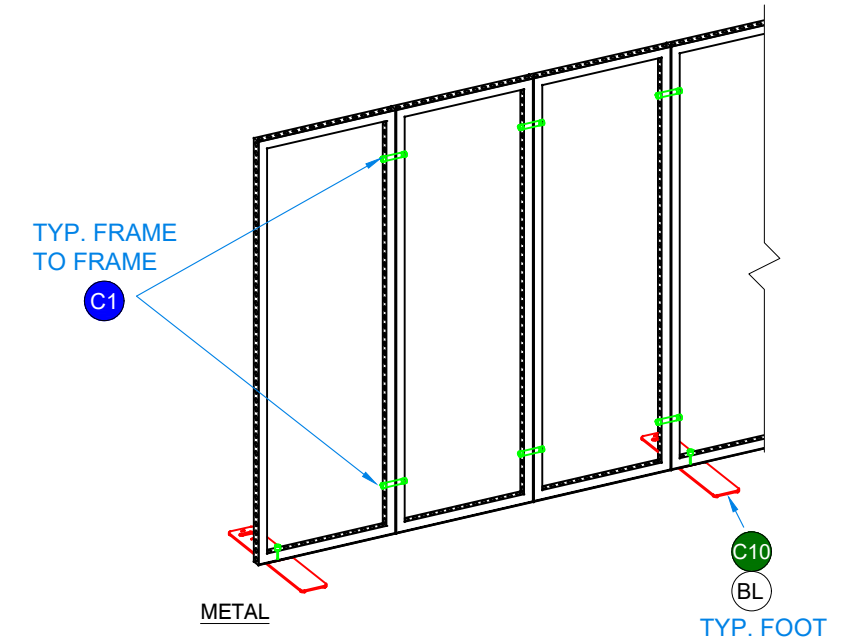
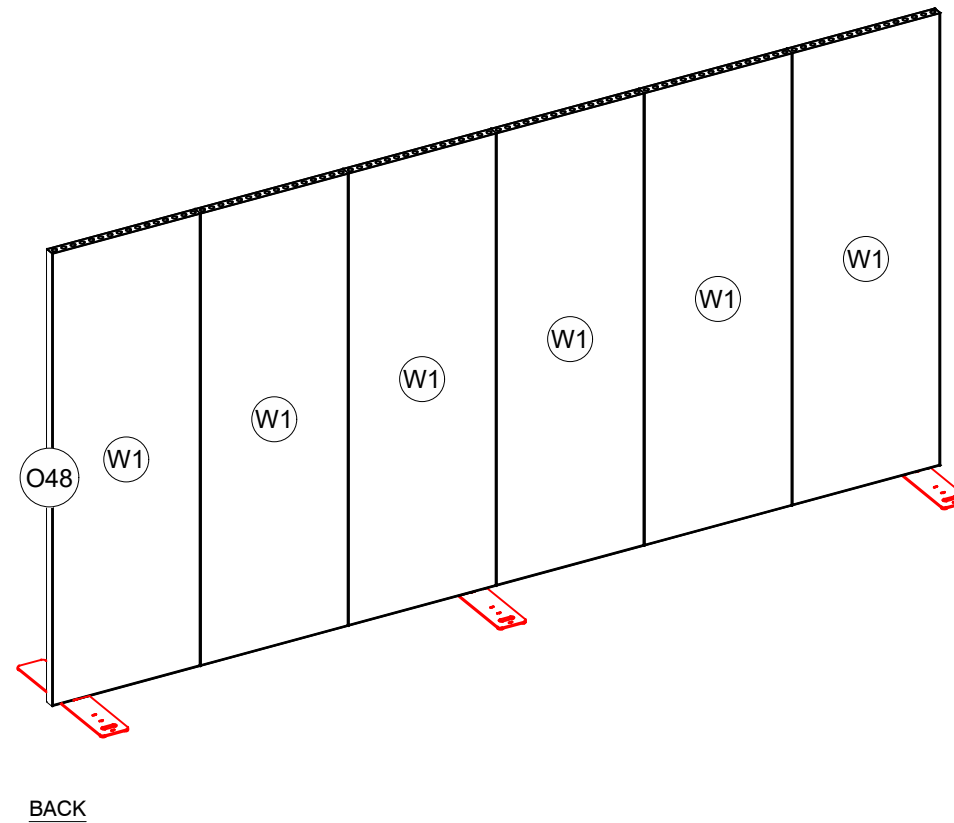
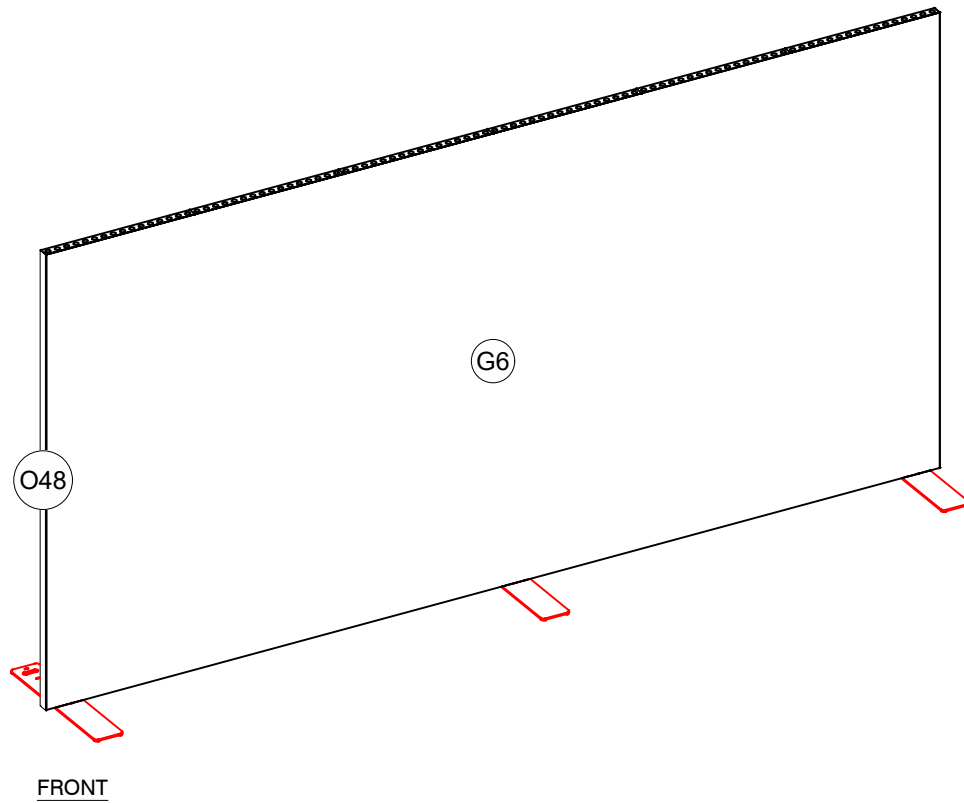
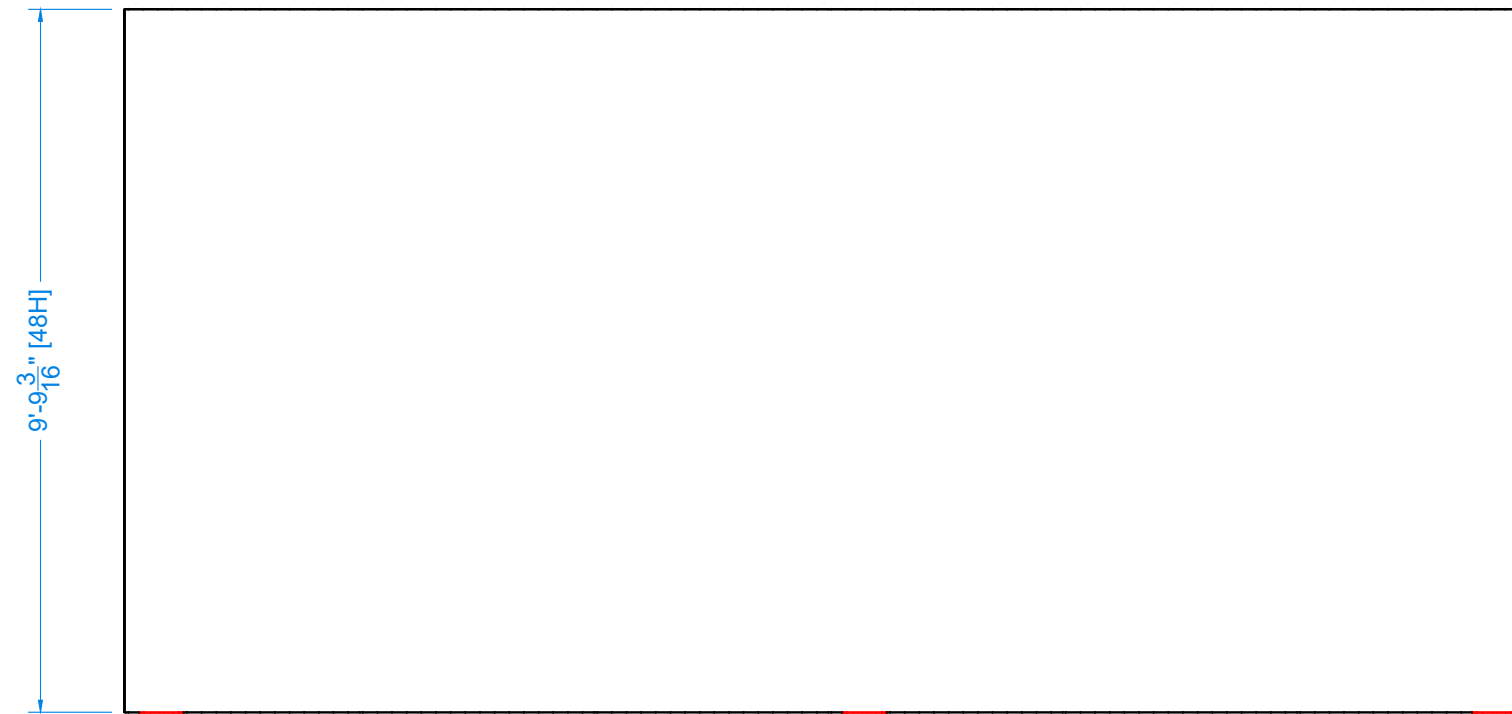


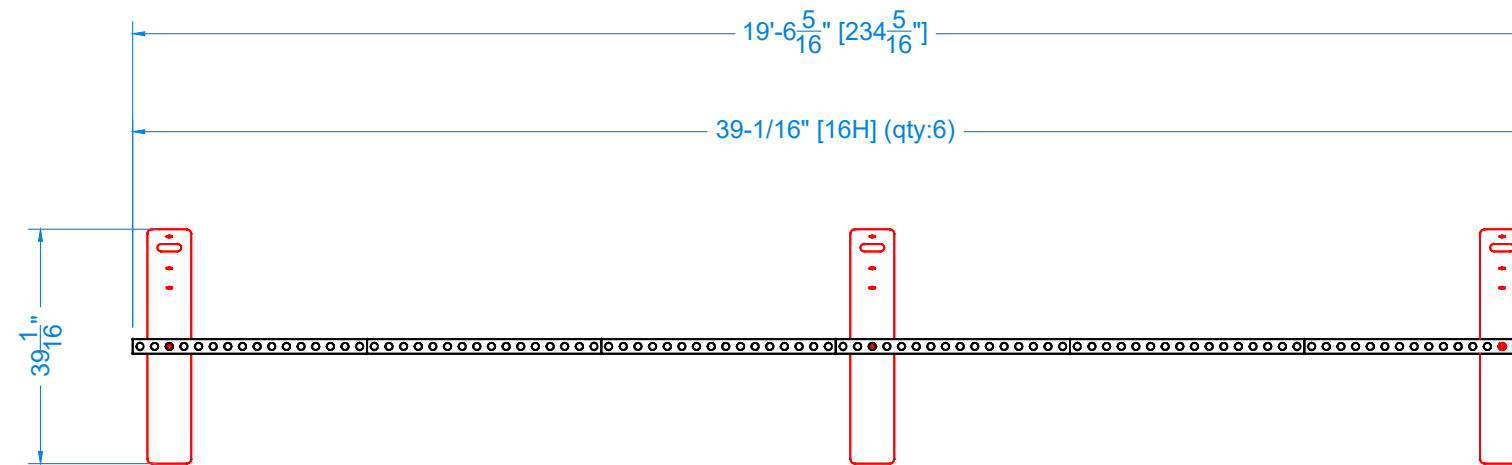
Flex Wall 6M x 10H Fabric SS

| I.D. | Qty | Type | Size | Area (SqFt) | Part Number | Description | Material | Color | Notes | Low Inv. |
|------|-----|---------------------|------------------------------|-------------|-------------|---|----------|---------|-------------------|----------|
| | 6 | FLEX Frame-Straight | 39-1/16" x 117-3/16" | | 60400044 | Straight Frame 16 Hole x 48 Hole | Aluminum | Silver | SF16480001 | |
| BL | 3 | FLEX Acc-Base Plate | 7-5/16" x 39-1/16" x 0-9/16" | | 60440083 | Base plate large | Steel | Silver | | |
| C1 | 10 | FLEX Part-Connector | Standard | | 60440043 | Manual Clamp Connector | Aluminum | Silver | CO90120250132POM | |
| C10 | 3 | FLEX Part-Connector | Standard | | 60440047 | Manual M8 Pin Connector | Aluminum | Silver | CO90120480066MKII | |
| W1 | 6 | Flex Insert | 38-3/4" x 116-7/8" | | 60160052 | Flex Insert [16x48 Hole] | PVC 3MM | White | w/ Female Velcro | |
| O48 | 2 | Overlay Panel | 2-7/16" x 117-3/16" | 2.0 | | Cover Profile 48 Hole | PVC 3MM | White | | |
| G6 | 1 | FLEX Fabric Graphic | 234-5/16" x 117-3/16" | 190.7 | | 234-5/16" x 117-3/16" FLEX Fabric Graphic | Fabric | Graphic | | |





FRONT ELEVATION
Scale: 3/8" = 1'-0"



PLAN VIEW
Scale: 3/8" = 1'-0"