

SOUTH HALL
OUTDOOR ENTRANCE
HALL A - COLUMN: S2-CW57

F R E E M A N

DRAWING STARTED:
 1/17/2018 G HURTADO/SERDC

DRAWING NAME:
 L2

HALL NAME:
 OUTSIDE ENTRANCE SOUTH A

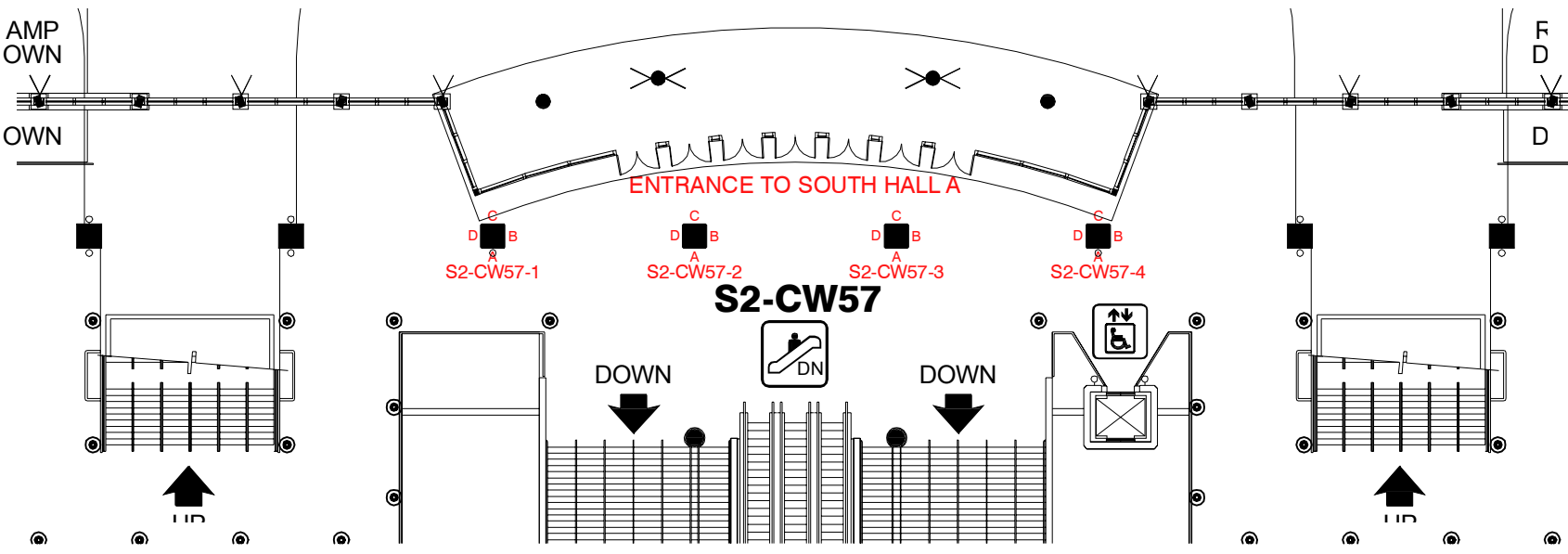
NOT TO SCALE

DISCLAIMER

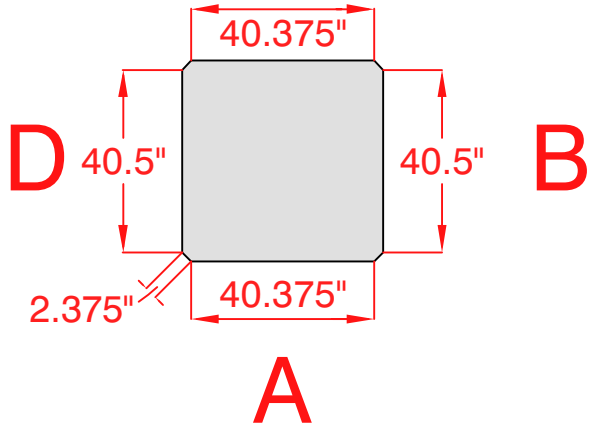
EVERY EFFORT HAS BEEN MADE TO ENSURE THE ACCURACY OF ALL INFORMATION CONTAINED ON THIS FLOORPLAN. HOWEVER NO WARRANTIES EITHER EXPRESSED OR IMPLIED ARE MADE WITH RESPECT TO THIS FLOORPLAN IF THE LOCATION OF BUILDING COLUMNS UTILITIES OR OTHER ARCHITECTURAL COMPONENTS OF THE FACILITY IS A CONSIDERATION IN THE CONSTRUCTION OR USAGE OF AN EXHIBIT, IT IS THE SOLE RESPONSIBILITY OF THE EXHIBITOR TO PHYSICALLY INSPECT THE FACILITY TO VERIFY ALL DIMENSIONS AND LOCATIONS

© COPYRIGHT 2007, FREEMAN CO.
 ALL RIGHTS RESERVED.

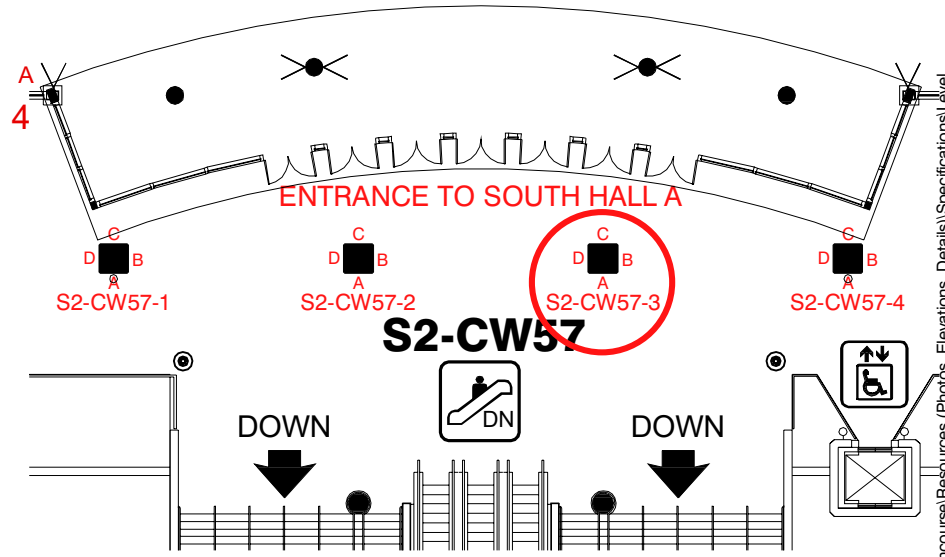
ILE PATH: P:\Orlando\Branch\SERDC\Floor Plans\Orlando\Orlando\Orange County Convention Center\North South Concourse\Resources\Photos, Elevations, Details\Specifications\Level 2\Columns\South Hall - Entrance\L2.dwg



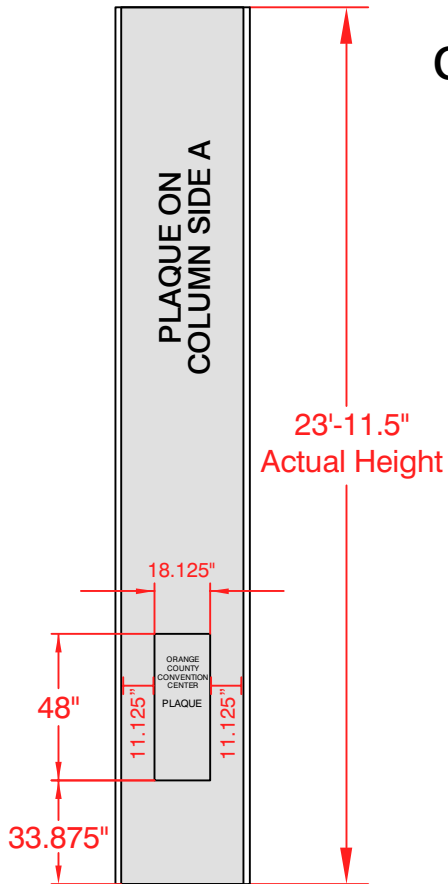
PLAN VIEW C



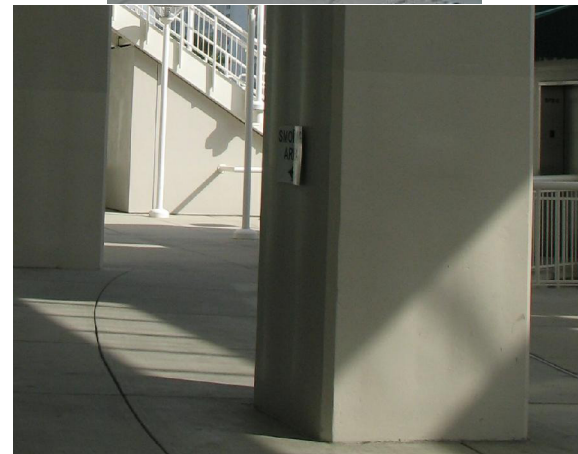
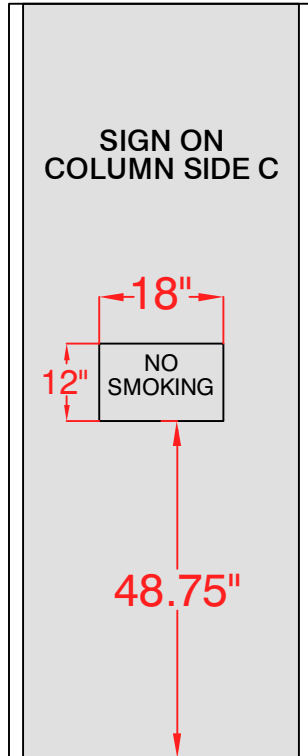
A SIDE A PLAQUE NEEDS TO BE CUT OUT



TOTAL COLUMN CIRCUMFERENCE: 171.25"



For complete column wrap use total circumference x desired Height
*Recommended Height: 20'



SOUTH HALL OUTDOOR ENTRANCE

HALL A - COLUMN: S2-CW57-3

F R E E M A N

DRAWING STARTED: 1/17/2018 G HURTADO/SERDC

DRAWING NAME: L2

HALL NAME: OUTSIDE ENTRANCE SOUTH A

NOT TO SCALE

DISCLAIMER

EVERY EFFORT HAS BEEN MADE TO ENSURE THE ACCURACY OF ALL INFORMATION CONTAINED ON THIS FLOORPLAN. HOWEVER NO WARRANTIES, EITHER EXPRESSED OR IMPLIED ARE MADE WITH RESPECT TO THIS FLOORPLAN IF THE LOCATION OF BUILDING COLUMNS UTILITIES OR OTHER ARCHITECTURAL COMPONENTS OF THE FACILITY IS A CONSIDERATION IN THE CONSTRUCTION OR USAGE OF AN EXHIBIT, IT IS THE SOLE RESPONSIBILITY OF THE EXHIBITOR TO PHYSICALLY INSPECT THE FACILITY TO VERIFY ALL DIMENSIONS AND LOCATIONS

© COPYRIGHT 2007, FREEMAN CO. ALL RIGHTS RESERVED.

FILE PATH: P:\Orlando\Branch\SERDC\Floor Plans\Facilities\Florida\Orlando\Orange County Convention Center\North South Concourse\Resources (Photos, Elevations, Details)\Specifications\Level 2\Columns\South Hall- Entrance\L2.dwg

S2-CW57



18-1/8" x 48"

11-1/8"

11-1/8"

33-7/8"

40-3/8"

40-1/2"

2-3/8"