

Freeman¹

Charging Lounge 5

AAAAI 2024 Annual Conference

Jul 18, 2023

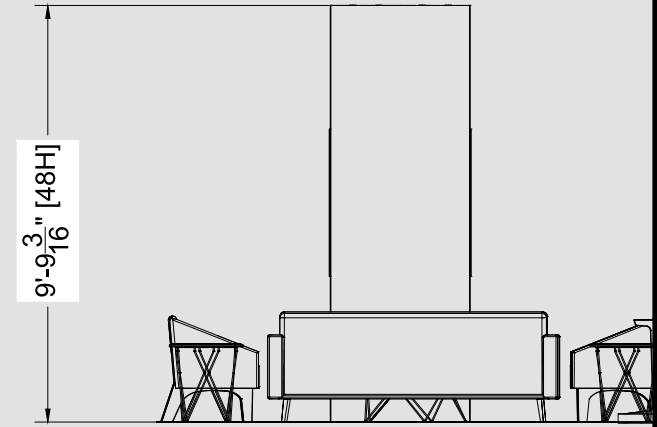
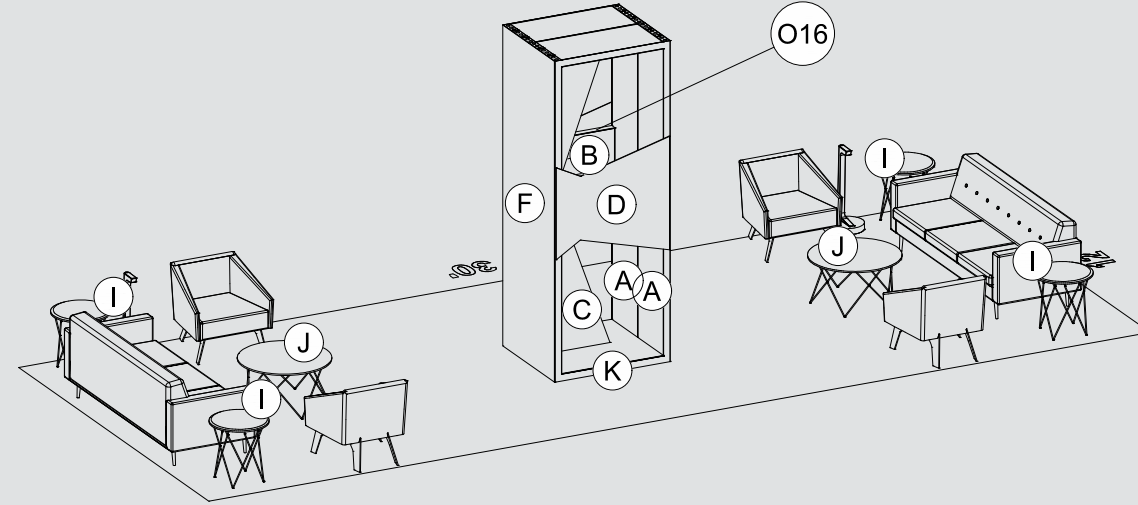
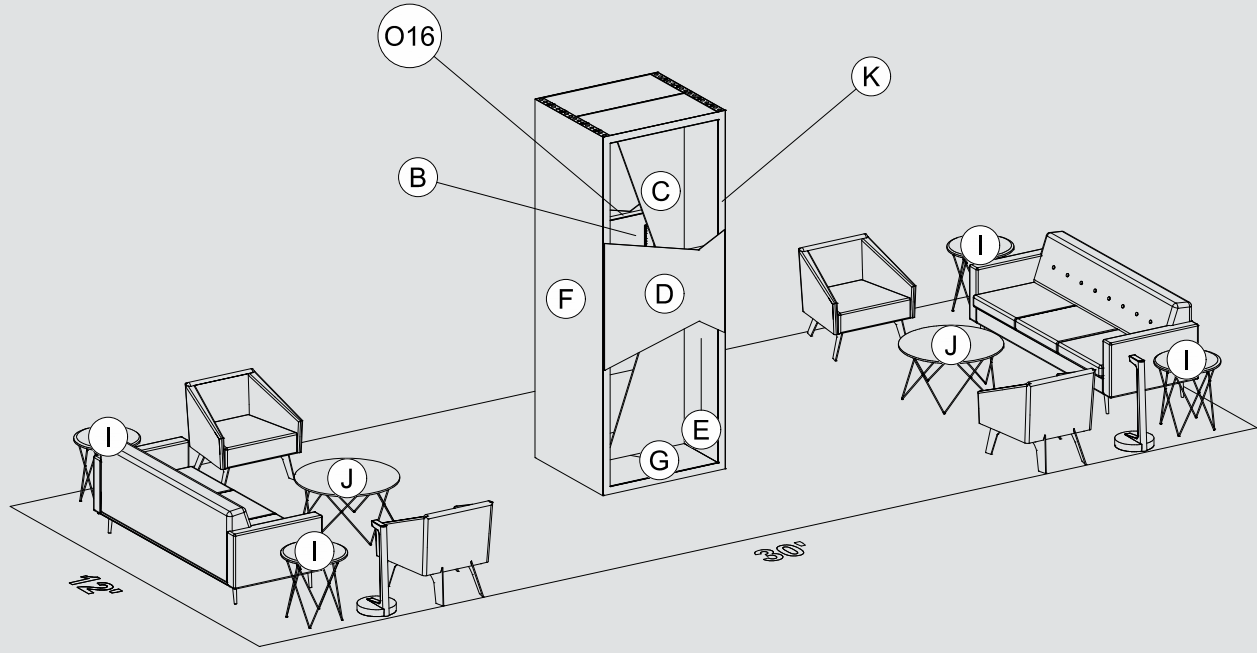




white carpet



H PANEL IS CEILING PANEL



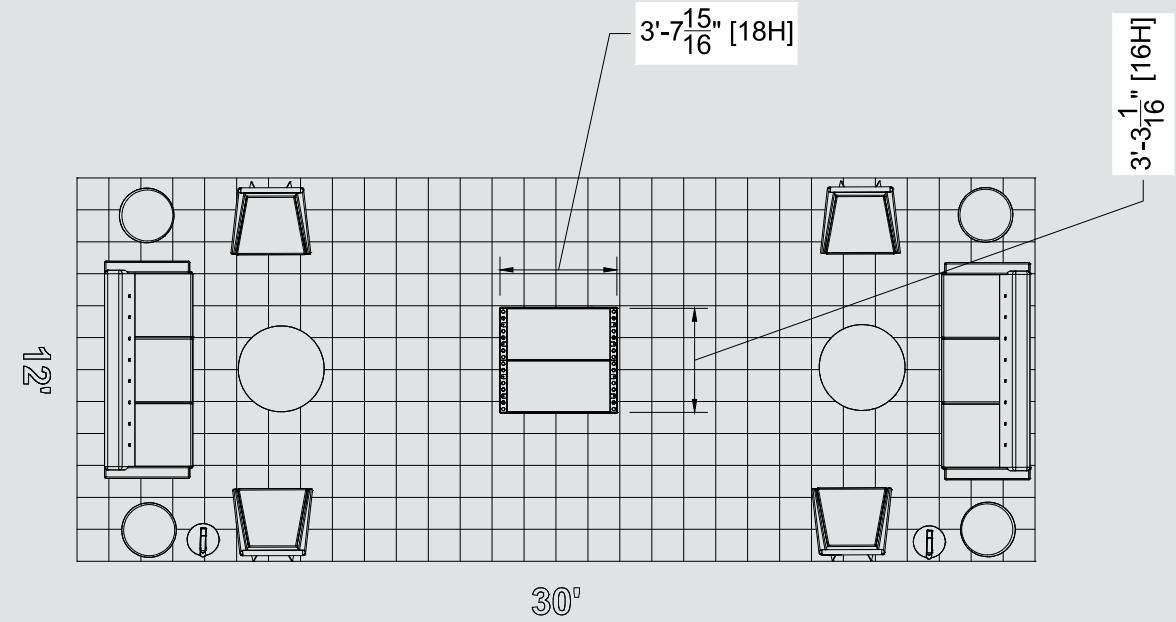
FRONT PERSPECTIVE VIEW

BACK PERSPECTIVE VIEW

SIDE ELEVATION

Not For Production

I.D.	Qty	Type	Size	Area (SqFt)	Part Number	Description	Material	Color	Notes	Low Inv.	Weight	
	2	Accessories	Standard		<<CUSTOM>>	LED Strip "White Light"	TBD	TBD				
	4	FLEX Frame-Straight	19-1/2" x 117-3/16" (19.5" x 117.2")		60400029	Straight Frame 08 Hole x 48 Hole	Aluminum	Silver	SF08480001		73.56	
	4	FLEX Frame-Straight	19-1/2" x 39-1/16" (19.5" x 39.1")		60400025	Straight Frame 08 Hole x 16 Hole	Aluminum	Silver	SF08160001		31.52	
	2	FLEX Frame-Straight	22" x 39-1/16" (22.0" x 39.062")		60400030	Straight Frame 09 Hole x 16 Hole	Aluminum	Silver	SF09160001		16.42	
C20	24	FLEX Acc-Pin Plate	Standard		60440055	Stainless steel 90° connector base	Steel	Stainless	CO901280222INOX		21.36	
C1	8	FLEX Part-Connector	Standard		60440043	Manual Clamp Connector	Aluminum	Silver	CO90120250132POM		2.96	
C10	48	FLEX Part-Connector	Standard		60440047	Manual M8 Pin Connector	Aluminum	Silver	CO90120480066MKII		10.56	
A	2	FLEX Insert Graphic	19-1/4" x 116-7/8" (19.25" x 116.875")	15.6	<<CUSTOM>>	FLEX Insert Graphic - Graphic	PVC 3MM	Graphic	w/ Female Velcro			
B	2	FLEX Insert Graphic	21-11/16" x 38-3/4" (21.688" x 38.75")	5.8	<<CUSTOM>>	FLEX Insert Graphic - Graphic	PVC 3MM	Graphic	w/ Female Velcro			
	6	Flex Insert	19-1/4" x 116-7/8" (19.25" x 116.875")	15.6	60160036	PVC INFILL FOR STRAIGHT FRAME 08 HOLE X 48 HOLE	PVC 3MM	White	w/ Female Velcro		1.80	
	6	Flex Insert	19-1/4" x 38-3/4" (19.25" x 38.75")	5.2	60160031	PVC INFILL FOR STRAIGHT FRAME 08 HOLE X 16 HOLE	PVC 3MM	White	w/ Female Velcro		0.78	
	2	Flex Insert	21-11/16" x 38-3/4" (21.688" x 38.75")	5.8	60160038	PVC INFILL FOR STRAIGHT FRAME 09 HOLE X 16 HOLE	PVC 3MM	White	w/ Female Velcro		0.28	
C	1	Graphic Panel	See CNC	0	<<CUSTOM>>	Graphic Panel	1/2" Foam	Graphic				
D	2	Graphic Panel	See CNC	0	<<CUSTOM>>	Graphic Panel	3/16" Foam	Graphic				
E	2	Overlay Graphic Panel	19-1/4" x 111-15/16" (19.25" x 111.938")	15.0	<<CUSTOM>>	Overlay Graphic Panel	PVC 3MM	Graphic				
F	2	Overlay Graphic Panel	39-1/16" x 117-3/16" (39.062" x 117.188")	31.8	<<CUSTOM>>	Overlay Graphic Panel	PVC 3MM	Graphic				
G	1	Overlay Graphic Panel	See CNC	0	<<CUSTOM>>	Overlay Graphic Panel w/ Panel Notch Bottom	PVC 3MM	Graphic				
H	1	Overlay Graphic Panel	See CNC	0	<<CUSTOM>>	Overlay Graphic Panel w/ Panel Notch Top	PVC 3MM	Graphic				
I	4	Overlay Graphic Panel	24" DIA	0	<<CUSTOM>>	Overlay Graphic	PVC 3MM	Graphic				
J	2	Overlay Graphic Panel	36" DIA	0	<<CUSTOM>>	Overlay Graphic	PVC 3MM	Graphic				
K	2	Overlay Graphic Panel	See CNC	0	<<CUSTOM>>	Overlay Panel - Border	PVC 3MM	Graphic				
O16	4	Overlay Panel	2-7/16" x 39-1/16" (2.438" x 39.062")	0.7	<<CUSTOM>>	Cover Profile 16 Hole	PVC 3MM	Graphic				
	4	Chair	30" x 23-1/4" x 30"		<<CUSTOM>>	Montreal Chair	Fabric	Blue				
	2	Furniture	12" x 12" x 28-1/4"		<<CUSTOM>>	Village Charging Hub	Metal	White				
	2	Soft Seating	82" x 33-1/2" x 32"		<<CUSTOM>>	Sterling Sofa	Fabric	Gray				
	2	Table	32-1/4" x 32-1/4" x 17-3/4"		<<CUSTOM>>	Mesa Cocktail Table, Glass	Laminate	Softec Barnwood				
	4	Table	32-1/4" x 32-1/4" x 17-3/4"		<<CUSTOM>>	Mesa End Table, Glass	Laminate	Softec Barnwood				
				Total Area:	95.50						Total Weight:	159.24



PLAN VIEW