



Exhibit Hall Floorplan Structure

AAAAI 2024 Annual Conference



Exhibit & Poster Hall Floorplans



Lorem ipsum dolor sit amet, consectetur adipiscing elit, sed diam nonummy nibh euismod tincidunt ut volutpat. Ut wisi enim ad minim veniam, quis nostrud exerci tation ullamcorper suscipit lobortis nisl ut aliquip ex ea commodo consequat. Duis autem vel eum iriure dolor in hendrerit in vulputate velit esse molestie consequat, vel Lorem ipsum dolor sit amet, consectetur adipiscing elit, sed diam nonummy nibh euismod tincidunt ut volutpat. Ut wisi enim ad minim veniam, quis nostrud exerci tation ullamcorper suscipit lobortis nisl ut aliquip ex ea commodo consequat. Duis autem vel eum iriure dolor in hendrerit in vulputate velit esse molestie consequat, vel Lorem ipsum dolor sit amet, consectetur adipiscing elit, sed diam nonummy nibh euismod tincidunt ut volutpat. Ut wisi enim ad minim veniam, quis nostrud exerci tation ullamcorper suscipit lobortis nisl ut aliquip ex ea commodo consequat. Duis autem vel eum iriure dolor in hendrerit in vulputate velit esse molestie consequat, vel illum dolore eu feugiat nulla facilisis at vero eros et accumsan et justo odio dignissim qui blandit praesent luptatum zzril delenit augue duiis dolore te feugiat nulla facilisis.



sponsor

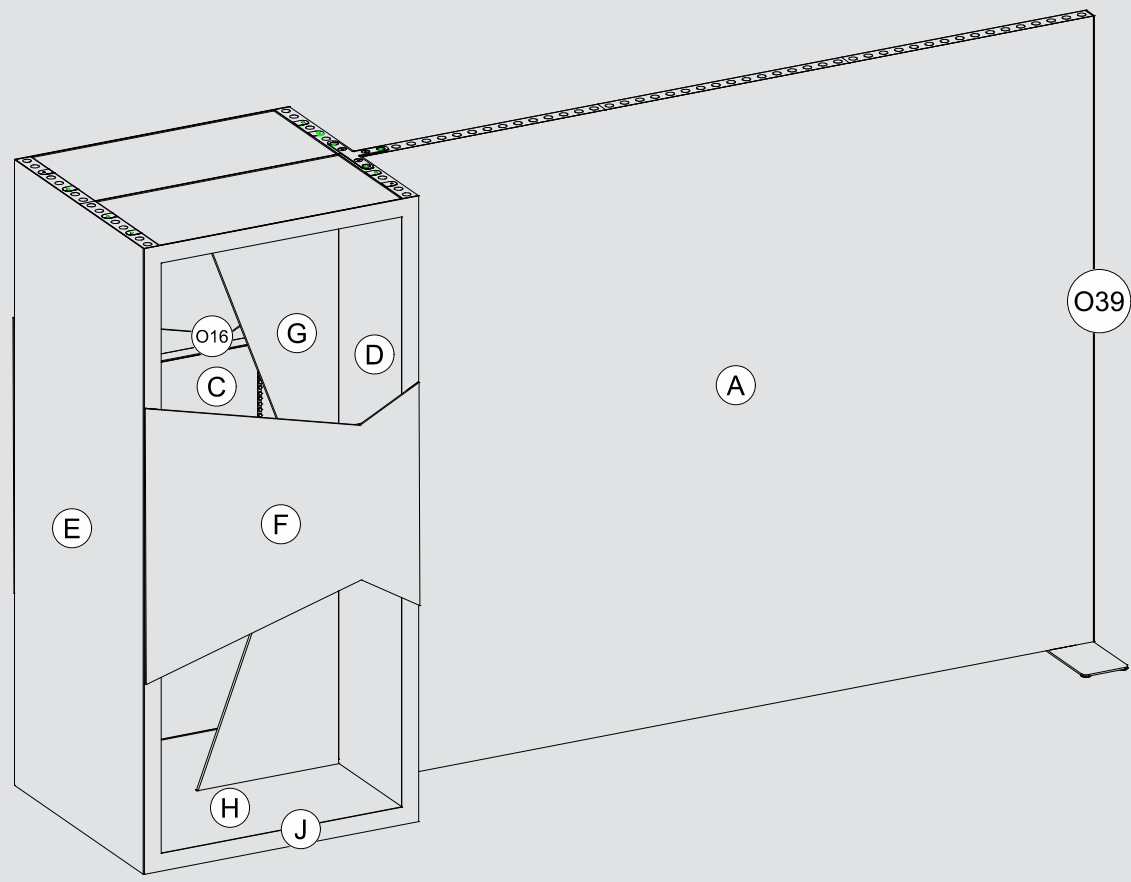
117.1875" x 47.5"



Scan Here For More Information

AAAAI American Academy of Allergy Asthma & Immunology
ANNUAL MEETING
 WASHINGTON, DC · FEBRUARY 23-26, 2024

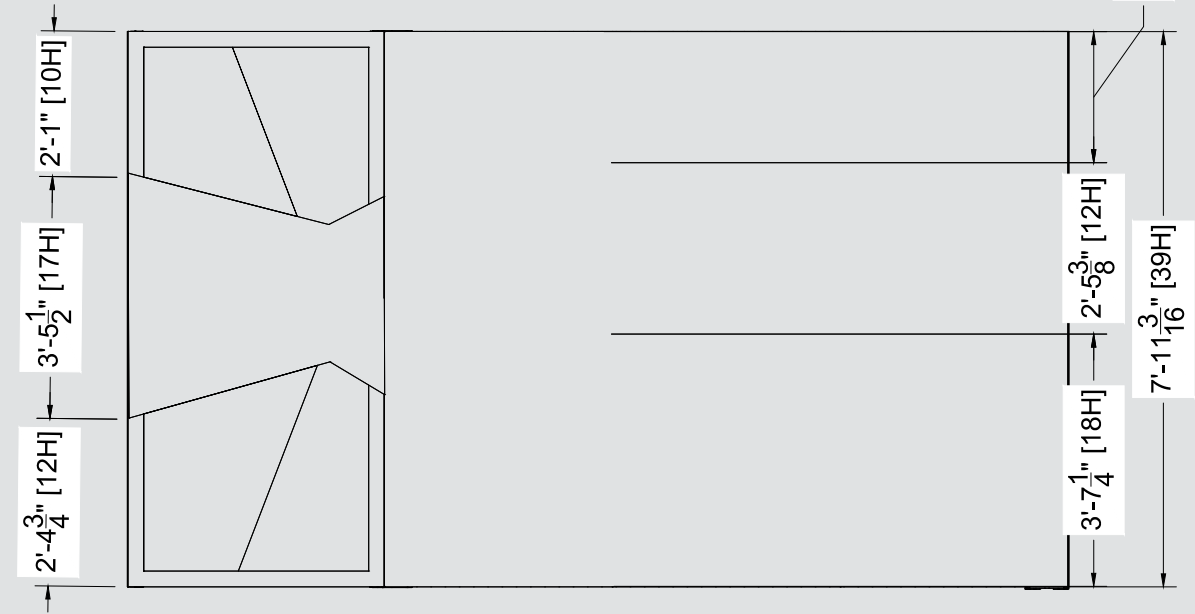




FRONT ISOMETRIC VIEW



SIDE ELEVATION



FRONT ELEVATION

Not for Production											
I.D.	Qty	Type	Size	Area (SqFt)	Part Number	Description	Material	Color	Low Inv.	Weight	
	2	Accessories	Standard		<<CUSTOM>>	LED Strip "White Light"	TBD	TBD			
	4	FLEX Frame-Straight	19-1/2" x 39-1/16" (19.5" x 39.1")		60400025	Straight Frame 08 Hole x 16 Hole	Aluminum	Silver		31.52	
	4	FLEX Frame-Straight	19-1/2" x 95-3/16" (19.5" x 95.2")		60400028	Straight Frame 08 Hole x 39 Hole	Aluminum	Silver		61.72	
	2	FLEX Frame-Straight	22" x 39-1/16" (22.0" x 39.062")		60400030	Straight Frame 09 Hole x 16 Hole	Aluminum	Silver		16.42	
	3	FLEX Frame-Straight	39-1/16" x 95-3/16" (39.062" x 95.188")		60400043	Straight Frame 16 Hole x 39 Hole	Aluminum	Silver		54.18	
BM	1	FLEX Acc-Base Plate	7-5/16" x 24-7/16" x 0-7/16"		60440082	Base plate medium	Steel	Silver		12.56	
C20	24	FLEX Acc-Pin Plate	Standard		60440055	Stainless steel 90° connector base	Steel	Stainless		21.36	
P3	2	FLEX Acc-Pin Plate	Standard		60440069	6 Pin T	Steel	Chrome		3.52	
C1	12	FLEX Part-Connector	Standard		60440043	Manual Clamp Connector	Aluminum	Silver		4.44	
C10	55	FLEX Part-Connector	Standard		60440047	Manual M8 Pin Connector	Aluminum	Silver		12.10	
A	2	FLEX Fabric Graphic	117-3/16" x 95-3/16" (117.188" x 95.188")	77.5	<<CUSTOM>>	117-3/16" x 95-3/16" FLEX Fabric Graphic	Fabric	Graphic			
B	4	FLEX Insert Graphic	19-1/4" x 94-15/16" (19.25" x 94.938")	12.7	<<CUSTOM>>	FLEX Insert Graphic - Graphic	PVC 3MM	Graphic			
C	2	FLEX Insert Graphic	21-11/16" x 38-3/4" (21.688" x 38.75")	5.8	<<CUSTOM>>	FLEX Insert Graphic - Graphic	PVC 3MM	Graphic			
	6	Flex Insert	19-1/4" x 38-3/4" (19.25" x 38.75")	5.2	60160031	PVC INFILL FOR STRAIGHT FRAME 08 HOLE X 16 HOLE	PVC 3MM	White		1.00	
	4	Flex Insert	19-1/4" x 94-15/16" (19.25" x 94.938")	12.7	60160035	PVC INFILL FOR STRAIGHT FRAME 08 HOLE X 39 HOLE	PVC 3MM	White		0.56	
	4	Flex Insert	21-11/16" x 38-3/4" (21.688" x 38.75")	5.8	60160038	PVC INFILL FOR STRAIGHT FRAME 09 HOLE X 16 HOLE	PVC 3MM	White			
D	2	Overlay Graphic Panel	19-1/4" x 89-7/8" (19.25" x 89.875")	12.0	<<CUSTOM>>	Overlay Panel	PVC 3MM	Graphic			
E	1	Overlay Graphic Panel	39-1/16" x 95-3/16" (39.062" x 95.188")	25.8	<<CUSTOM>>	Overlay Panel	PVC 3MM	Graphic			
F	2	Overlay Graphic Panel	41-1/2"	0	<<CUSTOM>>	front Cutout	1/4 foam	graphics			
G	1	Overlay Graphic Panel	See CNC	0	<<CUSTOM>>	Center Panel	1/2" Foam	Graphic			
O39	1	Overlay Graphic Panel	2-7/16" x 95-3/16" (2.438" x 95.188")	1.6	<<CUSTOM>>	Cover Profile 39 Hole	PVC 3MM	Graphic			
H	1	Overlay Graphic Panel	See CNC	0	<<CUSTOM>>	Overlay Graphic Panel - Bottom	PVC 3MM	Graphic			
I	1	Overlay Graphic Panel	See CNC	0	<<CUSTOM>>	Overlay Graphic Panel - Top	PVC 3MM	Graphic			
J	2	Overlay Graphic Panel	See CNC	0	<<CUSTOM>>	Overlay Panel - Border	PVC 3MM	Graphic			
O16	2	Overlay Panel	2-7/16" x 39-1/16"		<<CUSTOM>>	Cover Profile 16 Hole	PVC 3MM	Graphic			
				Total Area:	159.10					Total Weight:	220.16

PLAN VIEW

