

Freeman¹

Networking Lounge 5

AAAAI 2024 Annual Conference

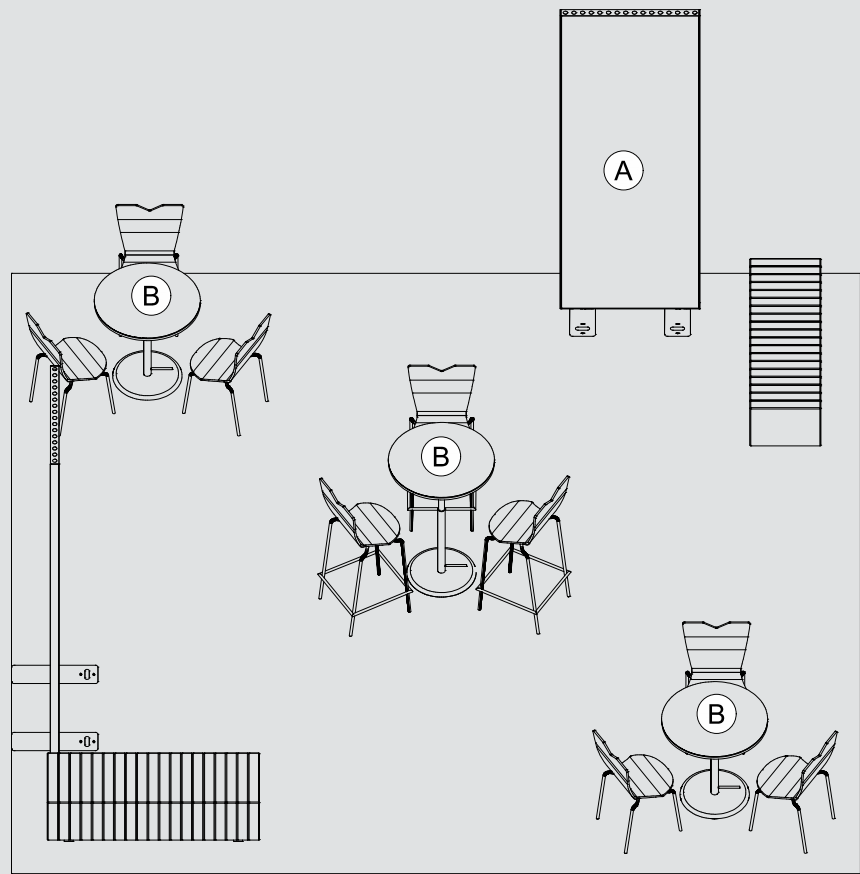
Jul 21, 2023

NETWORKING LOUNGE 5

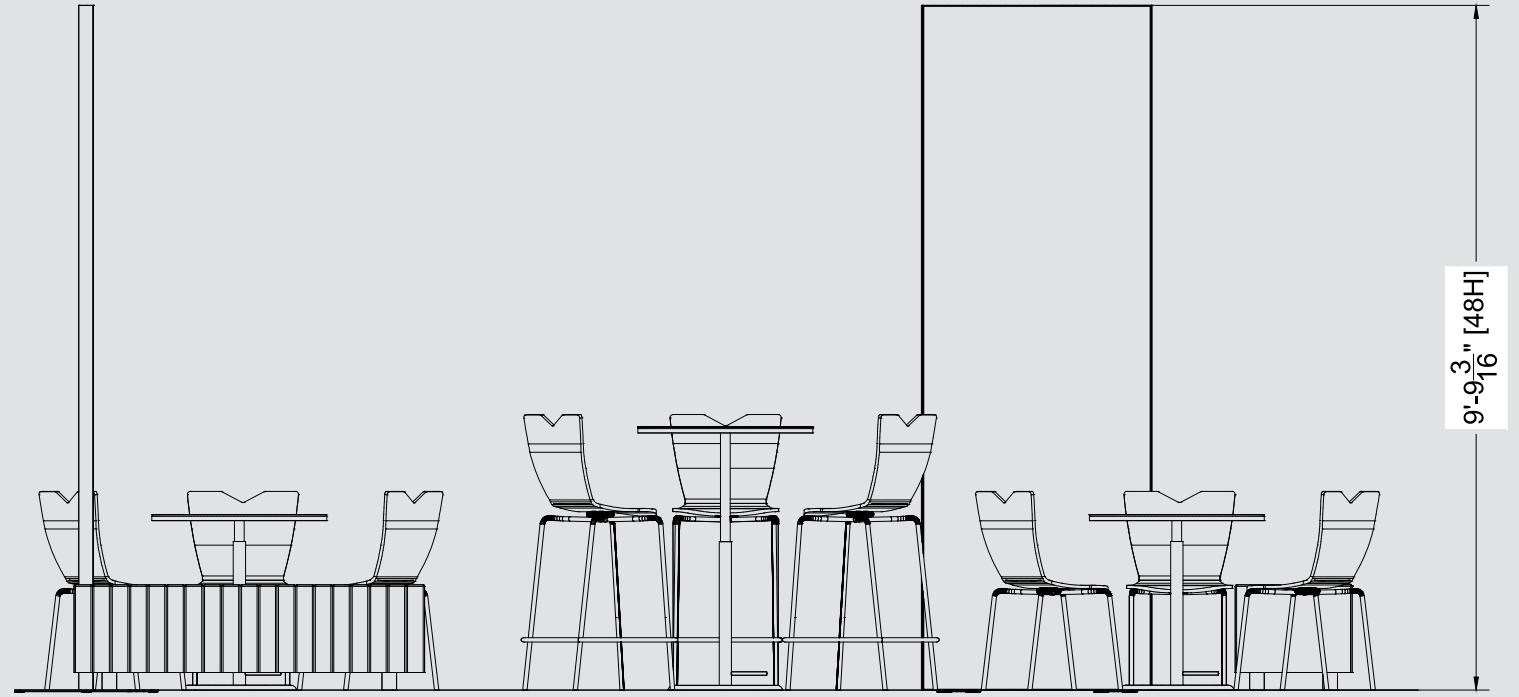


NETWORKING LOUNGE 5



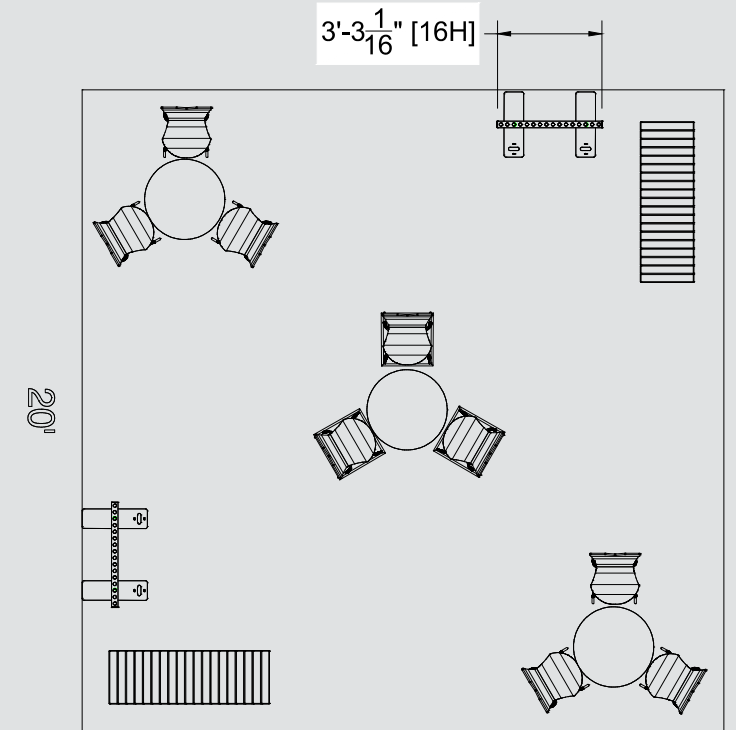


FRONT ISOMETRIC VIEW



FRONT ELEVATION

Not For Production											
I.D.	Qty	Type	Size	Area (SqFt)	Part Number	Description	Material	Color	Notes	Low Inv.	Weight
	2	FLEX Frame-Straight	39-1/16" x 117-3/16" (39.062" x 117.188")		60400044	Straight Frame 16 Hole x 48 Hole	Aluminum	Silver	SF16480001		42.02
BM	4	FLEX Acc-Base Plate	7-5/16" x 24-7/16" x 0-7/16"		60440082	BASE PLATE MEDIUM	Steel	Silver			50.24
C10	4	FLEX Part-Connector	Standard		60440047	MANUAL M8 PIN CONNECTOR	Aluminum	Silver	CO90120480066MKII		0.88
A	4	FLEX Insert Graphic	38-3/4" x 116-7/8" (38.75" x 116.875")	31.5	<<CUSTOM>>	FLEX Insert Graphic - Graphic	PVC 3MM	Graphic	w/ Female Velcro		
O48	4	Overlay Panel	2-7/16" x 117-3/16"	2.0	<<CUSTOM>>	Cover Profile 48 Hole	PVC 3MM	White			
B	3	Overlay Graphic Panel	30" DIA	0	<<CUSTOM>>	table Graphic	Vinyl	table Graphic			
	6	Accent Chair	18" x 19" x 34"		<<CUSTOM>>	Laguna Chair	Laminate	Wilson Art Fusion Maple			
	3	Barstool	18" x 20" x 47"		<<CUSTOM>>	Laguna Barstool	Laminate	Wilson Art Fusion Maple			
	2	Ottoman	60" x 20" x 18"		<<CUSTOM>>	Beverly Bench Ottoman, Ocean Blue Fabric	Fabric	Ocean Blue			
	2	Table	30" x 30" x 29"		<<CUSTOM>>	30" Round Cafe Table w/ Hydraulic Base, Black	Laminate	Black			
	1	Table	30" x 30" x 45"		<<CUSTOM>>	30" Round Bar Table w/ Hydraulic Base, Black	Laminate	Black			
				Total Area:	33.50					Total Weight:	93.14



PLAN VIEW