

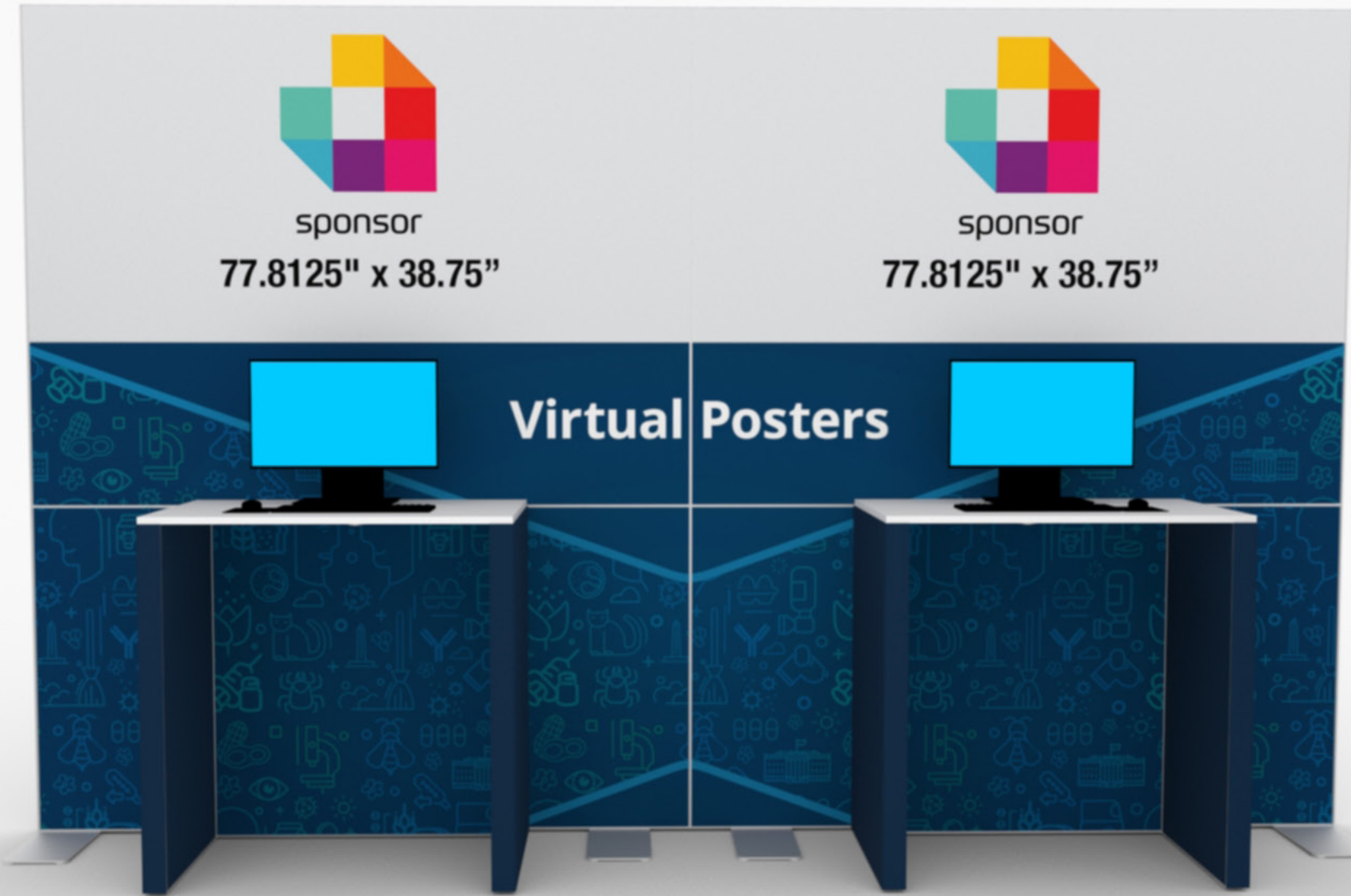
**Freeman**<sup>1</sup>

# Virtual Poster Kiosk

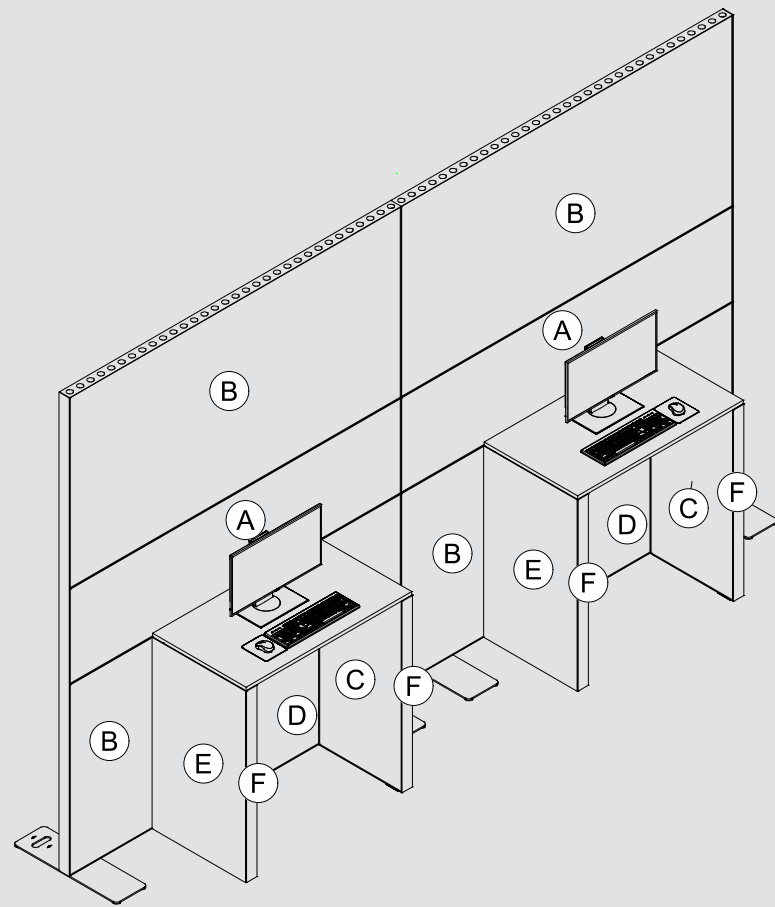
AAAAI 2024 Annual Conference

Jul 19, 2023

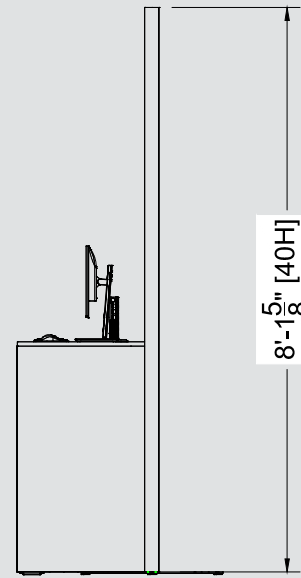




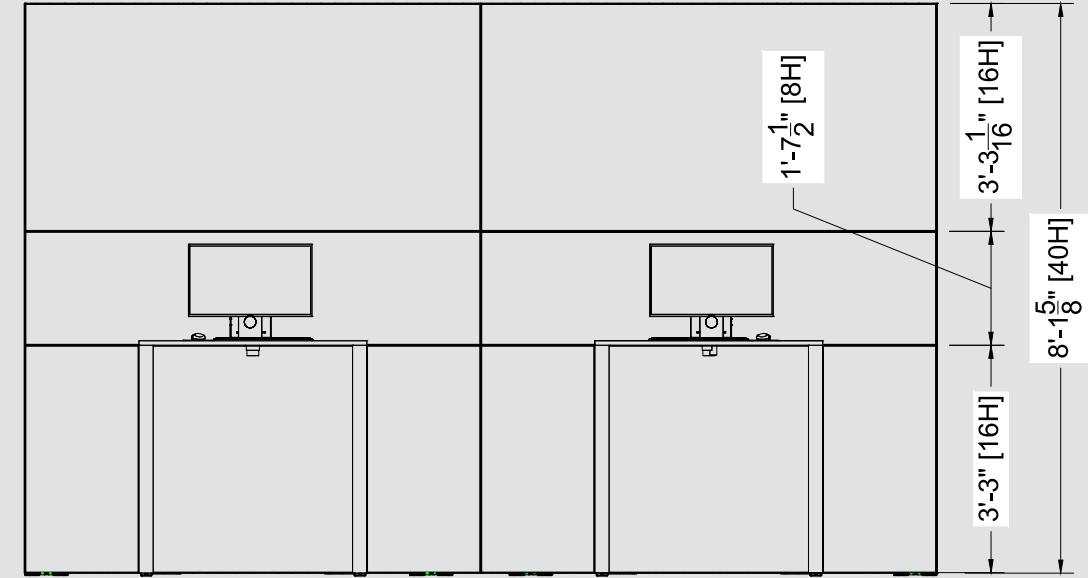




FRONT ISOMETRIC VIEW



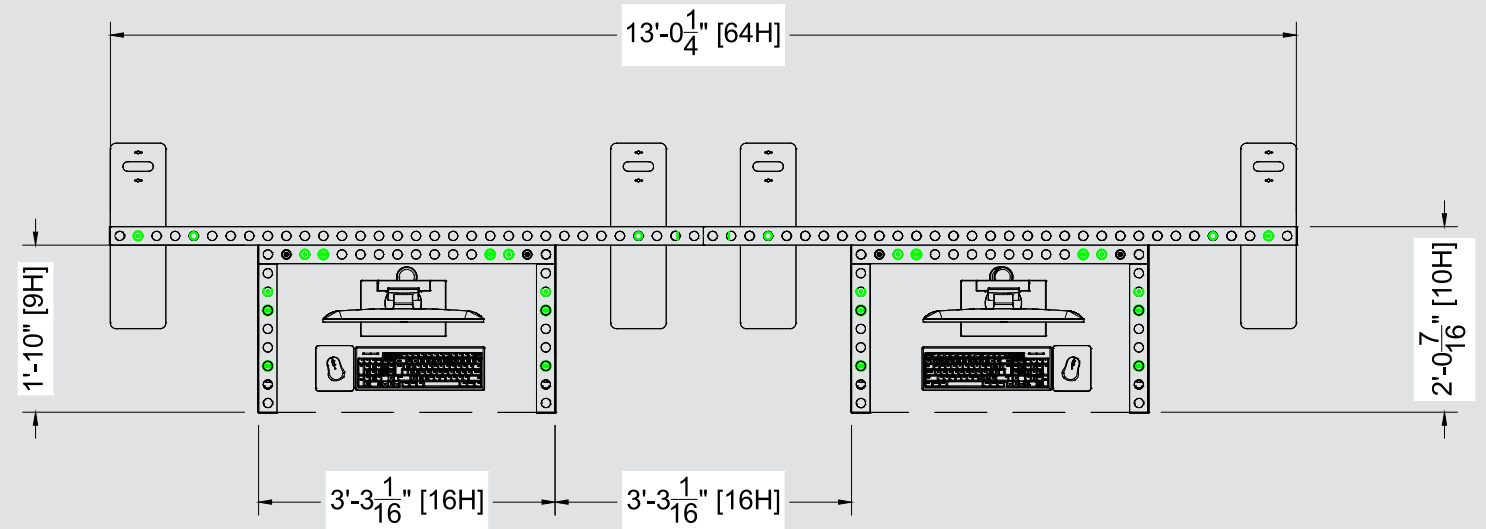
SIDE ELEVATION



FRONT ELEVATION

Not for Production

I.D.	Qty	Type	Size	Area (SqFt)	Part Number	Description	Material	Color	Low Inv.	Weight	
	2	Counter Top	39-1/16" x 22"		<<CUSTOM>>	Counter Top	3/4" Starboard	White			
	4	FLEX Frame-Straight	19-1/2" x 39-1/16" (19.5" x 39.1")		60400025	Straight Frame 08 Hole x 16 Hole	Aluminum	Silver		31.52	
	2	FLEX Frame-Straight	19-1/2" x 78-1/8" (19.5" x 78.1")		60400027	Straight Frame 08 Hole x 32 Hole	Aluminum	Silver		26.26	
	2	FLEX Frame-Straight	39-1/16" x 39-1/16" (39.062" x 39.062")		60400037	Straight Frame 16 Hole x 16 Hole	Aluminum	Silver		21.02	
	4	FLEX Frame-Straight	39-1/16" x 78-1/8" (39.062" x 78.125")		60400042	Straight Frame 16 Hole x 32 Hole	Aluminum	Silver		63.04	
BM	4	FLEX Acc-Base Plate	7-5/16" x 24-7/16" x 0-7/16"		60440082	Base plate medium	Steel	Silver	X	50.24	
BN	4	FLEX Acc-Base Plate	Standard		60990023	FLEX Non-Adjustable Foot	Plastic	Gray		1.00	
BP	12	FLEX Acc-Pin Plate	30mm		60440105	Single M8 Pin/Puck	Aluminum	Silver	X	1.80	
P2	4	FLEX Acc-Pin Plate	Standard		60440060	4 Pin 90	Steel	Chrome	X	4.72	
C10	24	FLEX Part-Connector	Standard		60440047	Manual M8 Pin Connector	Aluminum	Silver		5.28	
A	4	FLEX Insert Graphic	77-13/16" x 19-1/4" (77.812" x 19.25")	10.4	<<CUSTOM>>	FLEX Insert Graphic - Graphic	PVC 3MM	Graphic			
B	8	FLEX Insert Graphic	77-13/16" x 38-3/4" (77.812" x 38.75")	20.9	<<CUSTOM>>	FLEX Insert Graphic - Graphic	PVC 3MM	Graphic			
C	4	FLEX Insert Graphic	19-1/4" x 38-3/4" (19.25" x 38.75")	5.2	<<CUSTOM>>	FLEX Insert Graphic - Graphic	PVC 3MM	Graphic			
D	2	FLEX Insert Graphic	38-3/4" x 38-3/4" (38.75" x 38.75")	10.4	<<CUSTOM>>	FLEX Insert Graphic - Graphic	PVC 3MM	Graphic			
	4	Flex Insert	19-1/4" x 38-3/4" (19.25" x 38.75")	5.2	60160031	Flex Insert [8x16 Hole]	PVC 3MM	White		0.52	
	2	Flex Insert	38-3/4" x 38-3/4" (38.75" x 38.75")	10.4	<<CUSTOM>>	Flex Insert - White PVC 3MM	PVC 3MM	White			
O40	2	Overlay Panel	2-7/16" x 97-5/8-1/16"	0.1	<<CUSTOM>>	Cover Profile 40 Hole	PVC 3MM	White			
E	4	Overlay Graphic Panel	22" x 39.0625" (22.0" x 39.062")	6.0	<<CUSTOM>>	side cover	PVC 3MM	Graphic			
F	4	Overlay Graphic Panel	2.4375" x 39.0625" (2.438" x 39.062")	0.7	<<CUSTOM>>	Cover Profile 16 Hole	PVC 3MM	Graphic			
	2	Electronics	22" x 5-3/4" x 1-1/4"		44300004	WIRELESS KEYBOARD & MOUSE FOR PC (OSKB)	Plastic	Black	X		
	2	Electronics	22" x 9" x 17"		<<CUSTOM>>	DESKTOP COMPUTER WITH 24in MONITOR	Plastic	Black			
				Total Area:	69.30					Total Weight:	205.40



PLAN VIEW