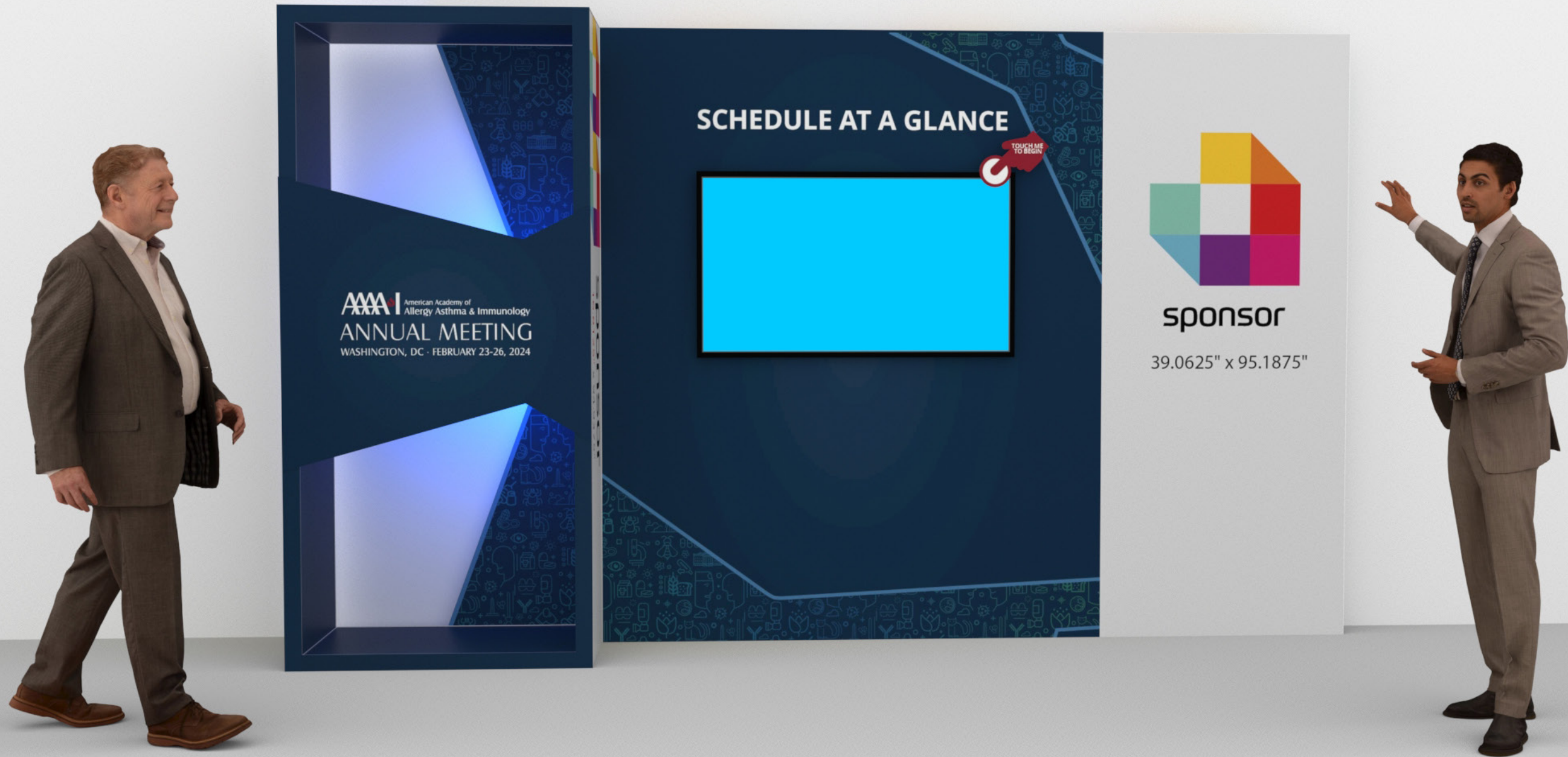




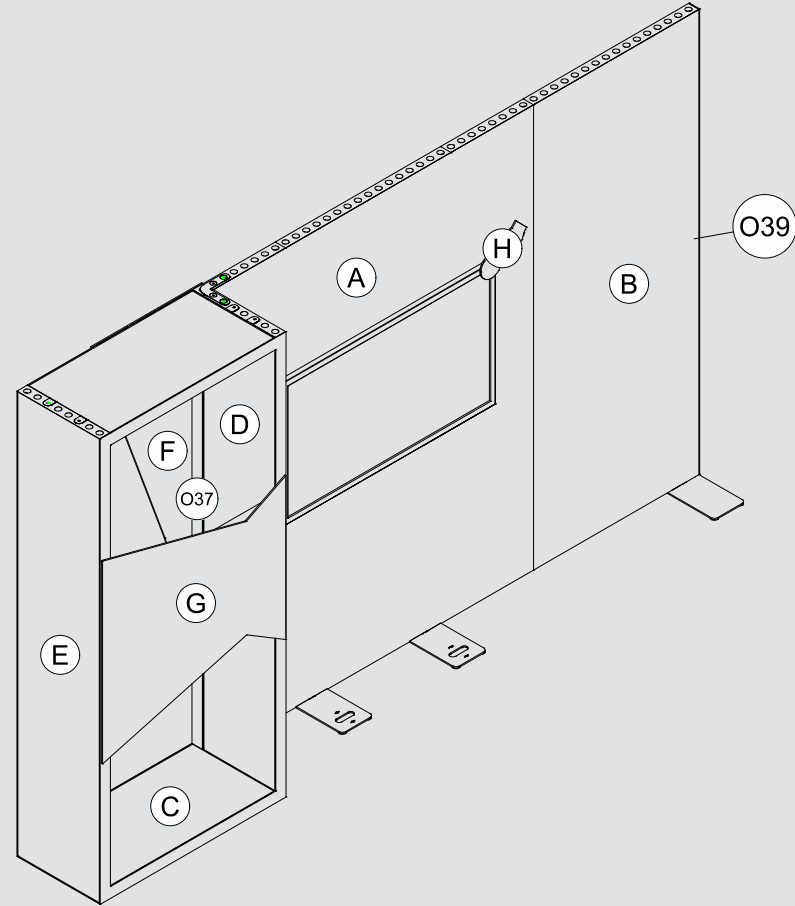
# Digital Conference Schedule Board 1

AAAAI 2024 Annual Conference

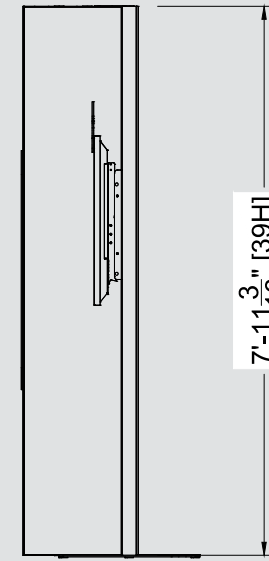




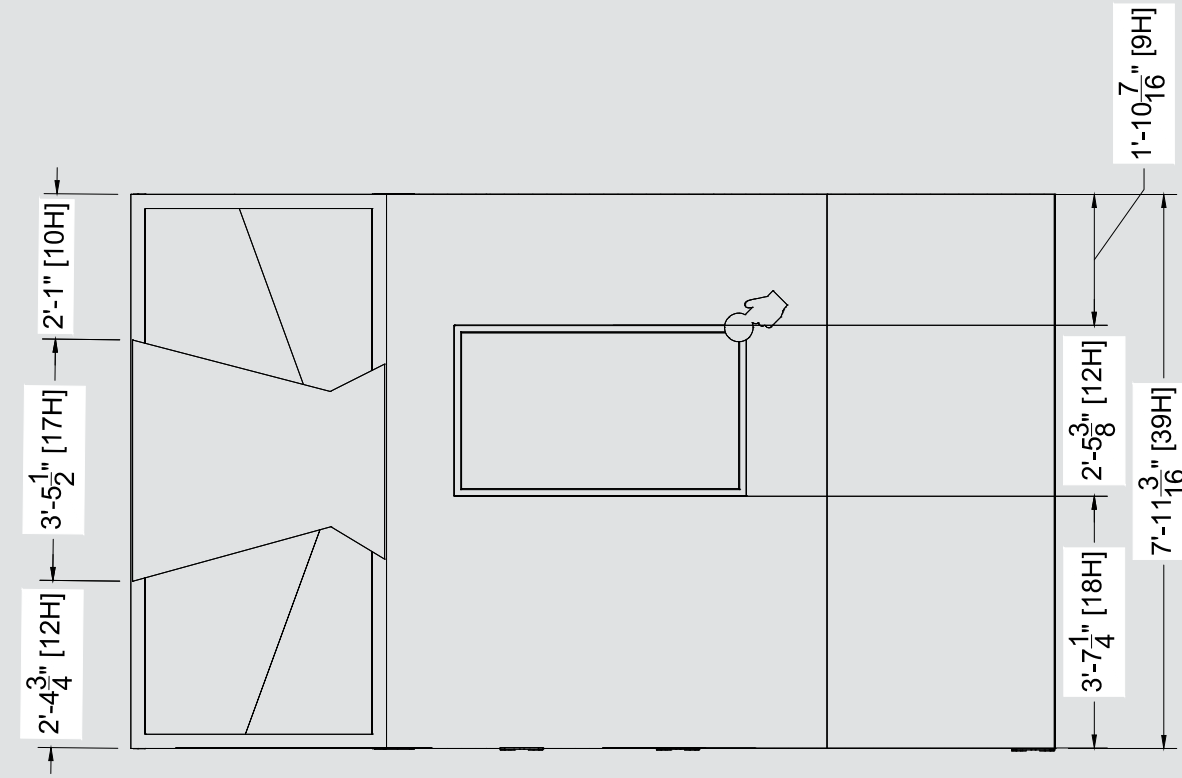




FRONT ISOMETRIC VIEW

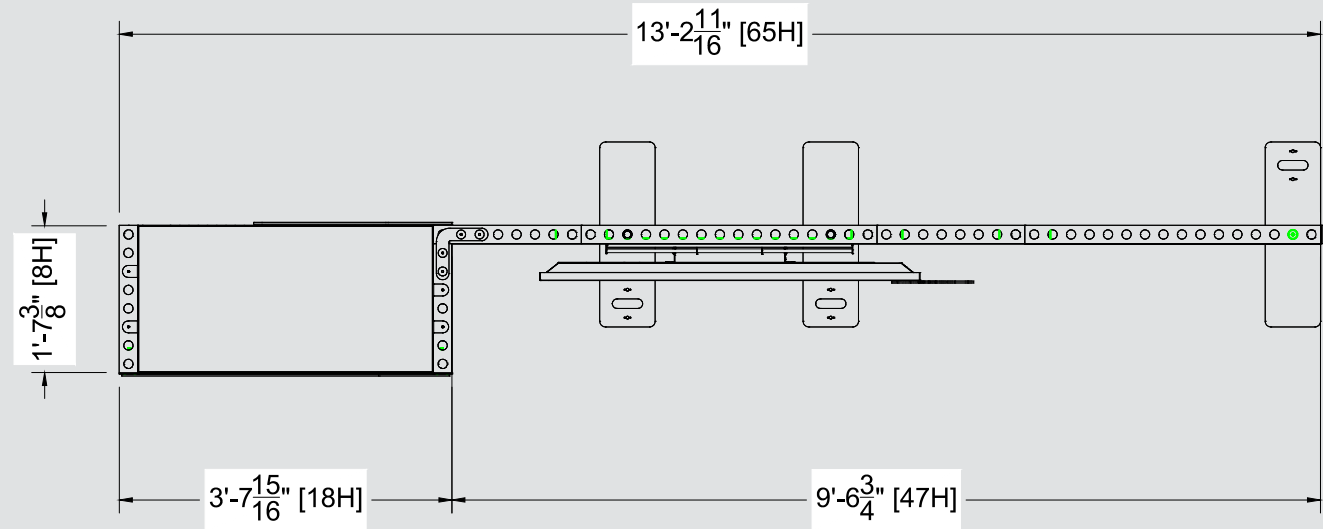


SIDE ELEVATION



FRONT ELEVATION

Not for Production											
I.D.	Qty	Type	Size	Area (SqFt)	Part Number	Description	Material	Color	Low Inv.	Weight	
	1	Accessories	Standard		<<CUSTOM>>	LED Strip "White Light"	TBD	TBD			
	1	FLEX Frame-Straight	17-1/16" x 95-3/16" (17.062" x 95.188")		60400057	Straight Frame 07 Hole x 39 Hole	Aluminum	Silver		15.10	
	2	FLEX Frame-Straight	19-1/2" x 39-1/16" (19.5" x 39.1")		60400025	Straight Frame 08 Hole x 16 Hole	Aluminum	Silver		15.76	
	2	FLEX Frame-Straight	19-1/2" x 95-3/16" (19.5" x 95.2")		60400028	Straight Frame 08 Hole x 39 Hole	Aluminum	Silver		30.86	
	1	FLEX Frame-Straight	19.5" x 95.1875" (19.5" x 95.2")		60400028	STRAIGHT FRAME 08 HOLE X 39 HOLE	Aluminum	Silver		15.43	
	1	FLEX Frame-Straight	22" x 39-1/16" (22.0" x 39.062")		60400030	Straight Frame 09 Hole x 16 Hole	Aluminum	Silver		8.21	
	2	FLEX Frame-Straight	39-1/16" x 95-3/16" (39.062" x 95.188")		60400043	Straight Frame 16 Hole x 39 Hole	Aluminum	Silver		36.12	
BM	3	FLEX Acc-Base Plate	7-5/16" x 24-7/16" x 0-7/16"		60440082	Base plate medium	Steel	Silver	X	37.68	
BV	2	FLEX Acc-Base Plate	1-3/4" x 1-3/4" x 39"		60440115	FBF - Vertical Support Post	Steel	Gray		9.26	
BVB	2	FLEX Acc-Base Plate	1-7/8" x 4-7/16" x 4-7/8"		60440114	FBF - Vertical Support Post Bracket	Steel	Gray		1.42	
C20	12	FLEX Acc-Pin Plate	Standard		60440055	Stainless steel 90° connector base	Steel	Stainless		10.68	
P2	2	FLEX Acc-Pin Plate	Standard		60440060	4 Pin 90	Steel	Chrome	X	2.36	
M12	1	FLEX Part	33-1/2" x 11-7/8"		60410048	Plywood Mount [16 Hole x 12"]	1/2" Plywood	Raw		3.00	
U1	4	FLEX Part	Standard		60410031	Galvanized steel universal support	Steel	Galvanized		1.84	
C1	6	FLEX Part-Connector	Standard		60440043	Manual Clamp Connector	Aluminum	Silver		2.22	
C10	29	FLEX Part-Connector	Standard		60440047	Manual M8 Pin Connector	Aluminum	Silver		6.38	
A	1	FLEX Fabric Graphic	78-1/8" x 95-3/16" (78.125" x 95.188")	51.6	<<CUSTOM>>	78-1/8" x 95-3/16" FLEX Fabric Graphic	Fabric	Graphic			
B	1	FLEX Fabric Graphic	39-1/16" x 95-3/16" (39.062" x 95.188")	25.8	<<CUSTOM>>	39-1/16" x 95-3/16" FLEX Fabric Graphic	Fabric	Graphic			
C	2	FLEX Insert Graphic	19-1/4" x 38-3/4" (19.25" x 38.75")	5.2	<<CUSTOM>>	FLEX Insert Graphic - Graphic	PVC 3MM	Graphic			
D	2	FLEX Insert Graphic	16-13/16" x 94-15/16" (16.812" x 94.938")	11.1	<<CUSTOM>>	FLEX Insert Graphic - Graphic	PVC 3MM	Graphic			
E	1	FLEX Insert Graphic	21-11/16" x 38-3/4" (21.688" x 38.75")	5.8	<<CUSTOM>>	FLEX Insert Graphic - Graphic	PVC 3MM	Graphic			
	1	Flex Insert	19-1/4" x 38-3/4" (19.25" x 38.75")	5.2	60160031	Flex Insert [8x16 Hole]	PVC 3MM	White		0.13	
	2	Flex Insert	19-1/4" x 94-15/16" (19.25" x 94.938")	12.7	60160035	Flex Insert [8x39 Hole]	PVC 3MM	White		0.50	
	2	Flex Insert	21-11/16" x 38-3/4" (21.688" x 38.75")	5.8	60160038	Flex Insert [9x16 Hole]	PVC 3MM	White		0.28	
	2	Flex Insert	38-3/4" x 94-15/16" (38.75" x 94.938")	25.5	60160051	Flex Insert [16x39 Hole]	PVC 3MM	White		0.60	
F	2	Flex Graphic Insert	19-1/4" x 94-15/16" (19.25" x 94.938")	12.7	<<CUSTOM>>	Flex Insert - Graphic [8x39 Hole]	PVC 3MM	Graphic			
G	1	Graphic Panel	See CNC	0	<<CUSTOM>>	Graphic Panel	1/2" Foam	Graphic			
H	1	Graphic Panel	See CNC	0	<<CUSTOM>>	Graphic Panel	3/16" Foam	Graphic			
I	1	Graphic Panel	See CNC	0	<<CUSTOM>>	Graphic Panel - Hand Shape	3/16" Foam	Graphic			
J	2	Overlay Graphic Panel	See CNC	0	<<CUSTOM>>	Overlay Panel - Border	PVC 3MM	Graphic			
O16	1	Overlay Graphic Panel	2-7/16" x 39-1/16" (2.438" x 39.062")	0.7	<<CUSTOM>>	Cover Profile 16 Hole	PVC 3MM	Graphic			
O37	1	Overlay Graphic Panel	2-7/16" x 90-5/16" (2.438" x 90.312")	1.5	<<CUSTOM>>	Cover Profile 37 Hole	PVC 3MM	Graphic			
O39	1	Overlay Graphic Panel	2-7/16" x 95-3/16" (2.438" x 95.188")	1.6	<<CUSTOM>>	Cover Profile 39 Hole	PVC 3MM	Graphic			
	1	Electronics	48-1/4" x 12" x 31-1/4"		<<CUSTOM>>	55in TOUCHSCREEN WITH INTERNAL SPEAKERS (IUAQ)	Metal	Black			
				Total Area:	165.20					Total Weight:	197.83



PLAN VIEW