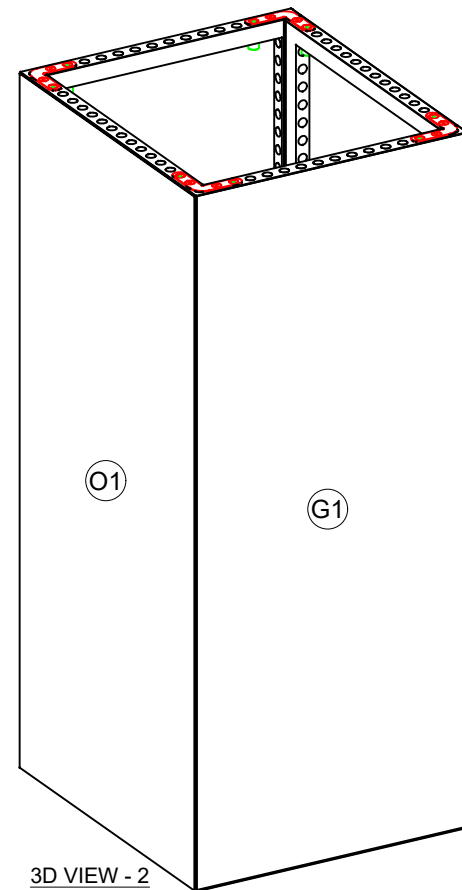
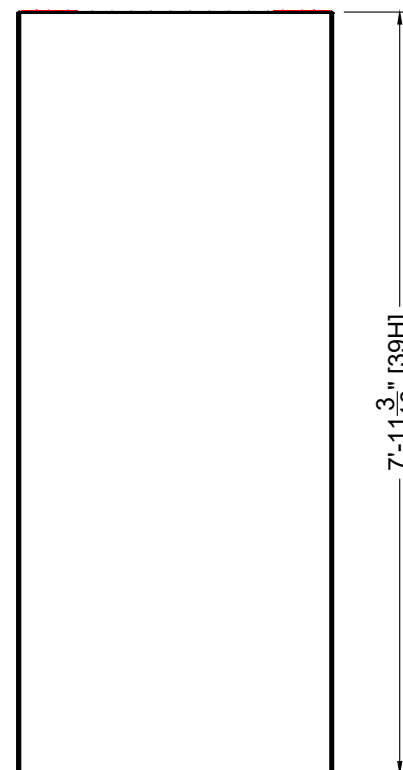


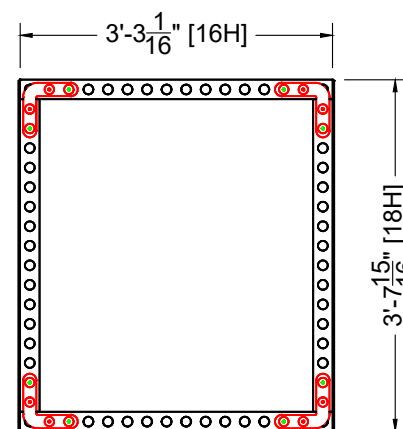
3D VIEW - 1



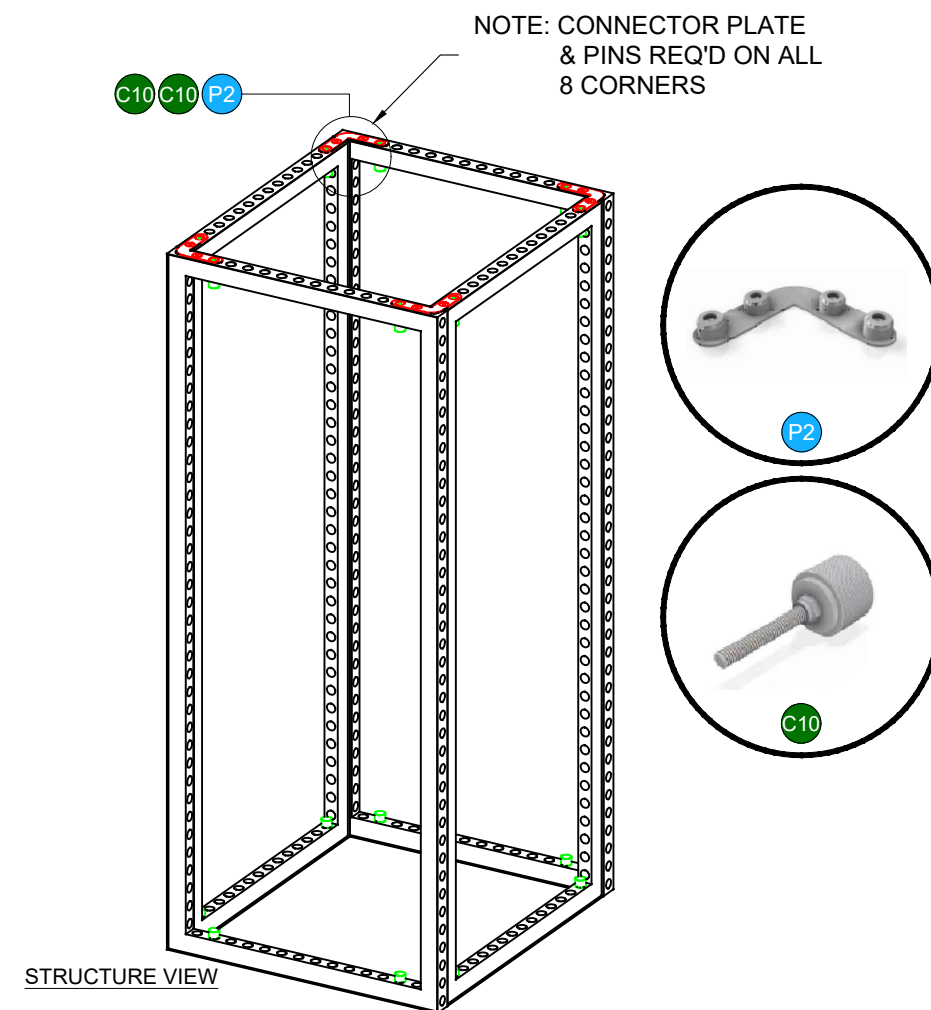
3D VIEW - 2



FRONT ELEVATION
Scale: 1/2" = 1'-0"



PLAN VIEW
Scale: 1/2" = 1'-0"



STRUCTURE VIEW

LESS THAN 30 DAYS OUT



MORE THAN 30 DAYS OUT



1M x 1M x 8ft Tower									
I.D.	Qty	Type	Size	Area (SqFt)	Part Number	Description	Material	Color	Notes
O1	2	Overlay Graphic Panel	43-11/16" x 94-15/16"	28.8		Overlay Graphic Panel	PVC	Graphic	
	4	FLEX Frame-Straight	39-1/16" x 95-3/16"		60400043	Straight Frame 16 Hole x 39 Hole	Aluminum	Silver	SF16390001
P2	8	FLEX Acc-Pin Plate	Standard		60440059	4 Pin 90	Steel	Chrome	CO901280341C
C10	16	FLEX Part-Connector	Standard		60440047	Manual M8 Pin Connector	Aluminum	Silver	CO90120480066MKII
	2	Flex Insert	38-3/4" x 94-15/16"		60160051	Flex Insert [16x39 Hole]	PVC 3MM	White	Interior Panel
G1	2	Flex Graphic Insert	38-3/4" x 94-15/16"	25.5		Flex Insert - Graphic [16X39 holes]	PVC	Graphic	