

APPROVED FOR PRODUCTION BY:
Chris Meridieth at 8:53 am, Jul 18, 2023

Exhibit Hall - Floor Plan Structure

EXHIBIT NAME / UNIT NAME

D

EXHIBIT # / UNIT LOCATION

Am Acdmy of Allergy Asthma &
Immunology - Annual Mtg Feb
2024

EVENT NAME

WALTER E WASHINGTON CONVENTION CENTER
WASHINGTON, DC | 02/23/24-02/26/24

EVENT FACILITY / DATES

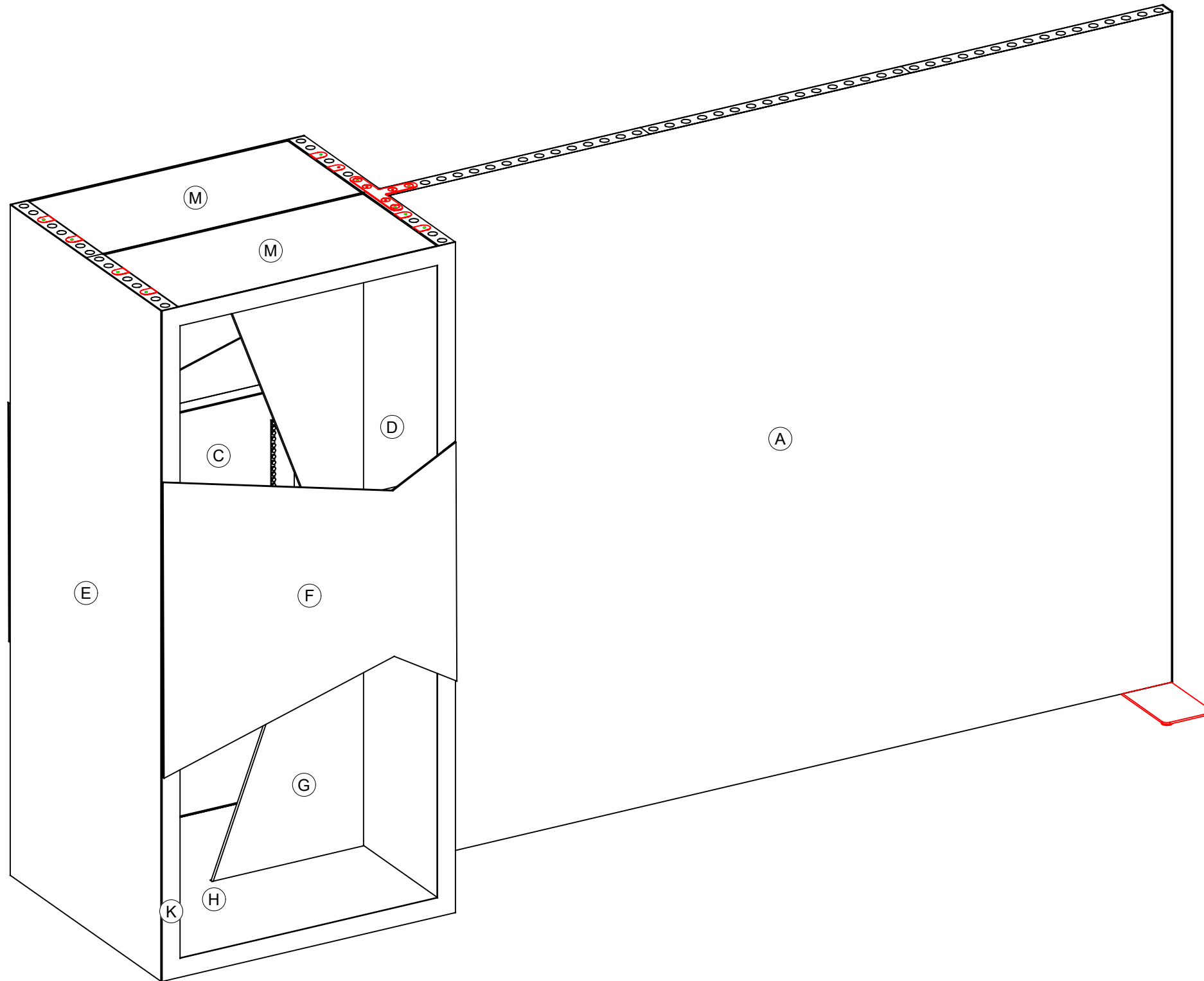
10814305

PASSPORT LINE ITEM #

WORK TICKET #

524437

JOB #



3D VIEW - 1

LESS THAN 30 DAYS OUT



* 0 0 0 0 0 0 0 0 0 1 - 1 0 1 - 0 *

MORE THAN 30 DAYS OUT



* 0 0 0 0 0 0 0 0 0 1 - 1 0 1 - 1 *



Business Development Mgr:
Jennifer Chagnon

Client Solutions Mgr:
Donna Nordone

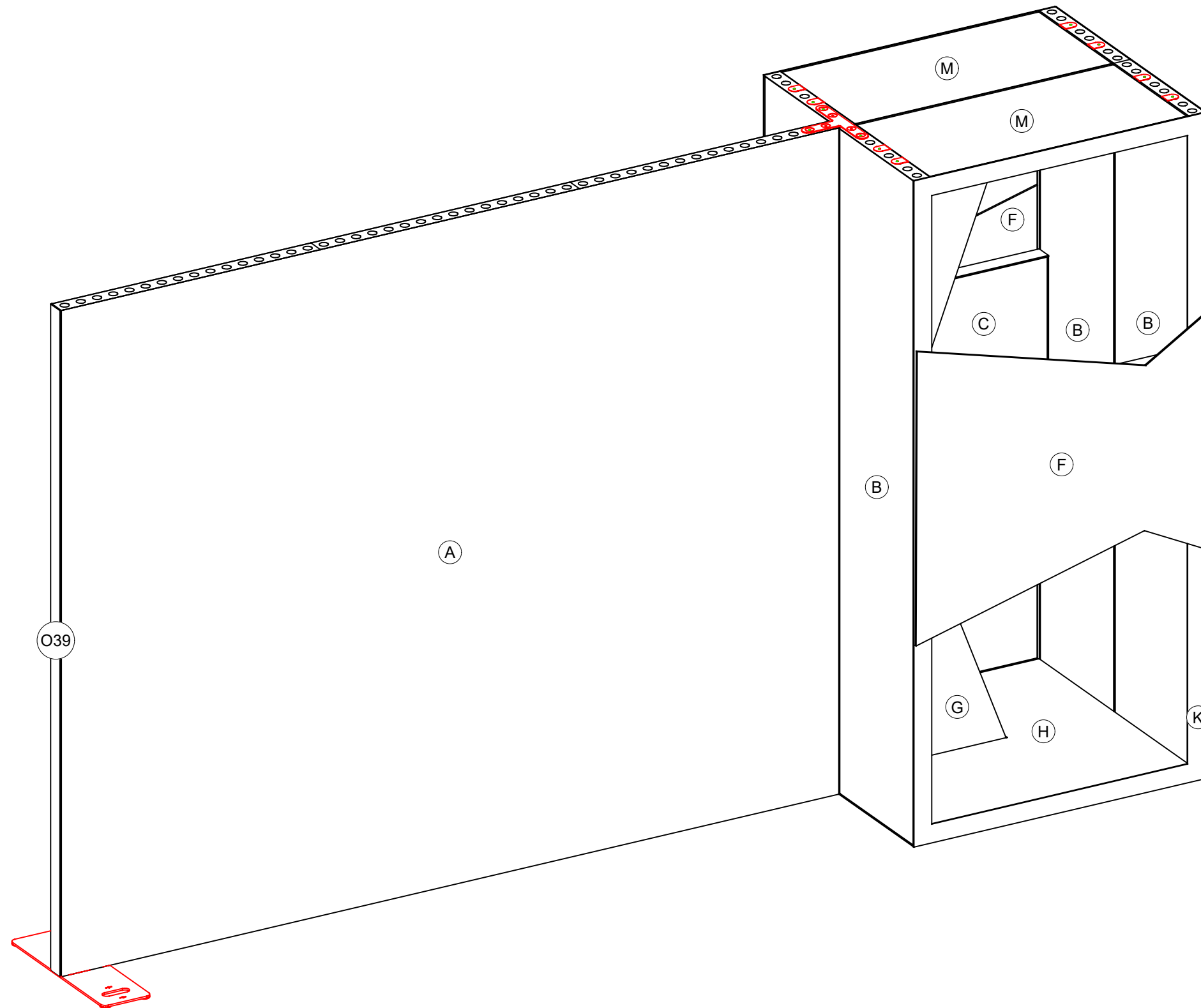
Detailer:
Nanci Askew

Last Saved:
7/18/2023 7:46 AM

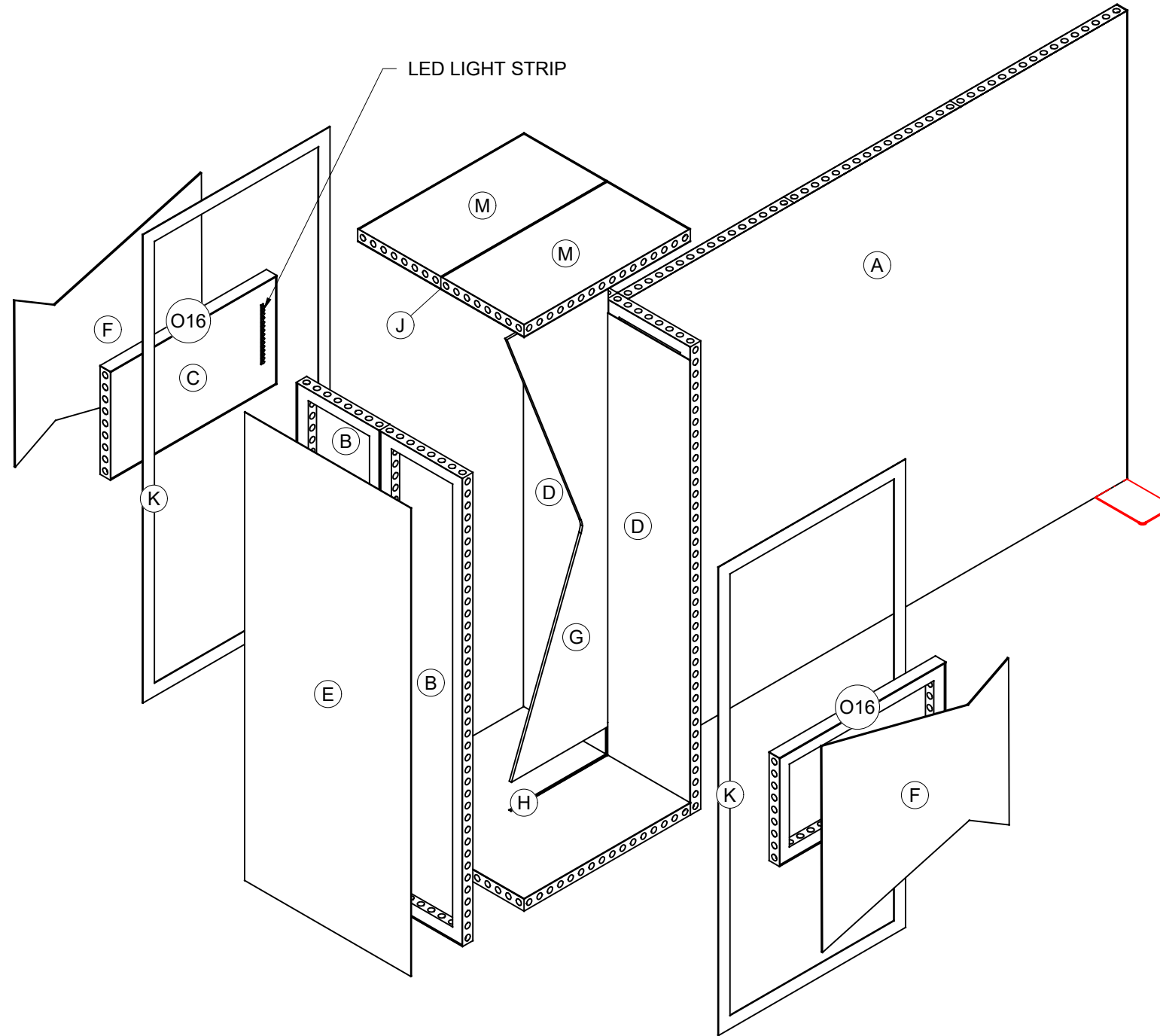
Revision:
B

These original concepts and designs are sole property of FREEMAN. Any reproduction or use is prohibited without written consent of FREEMAN. © Copyright 2023 FREEMAN

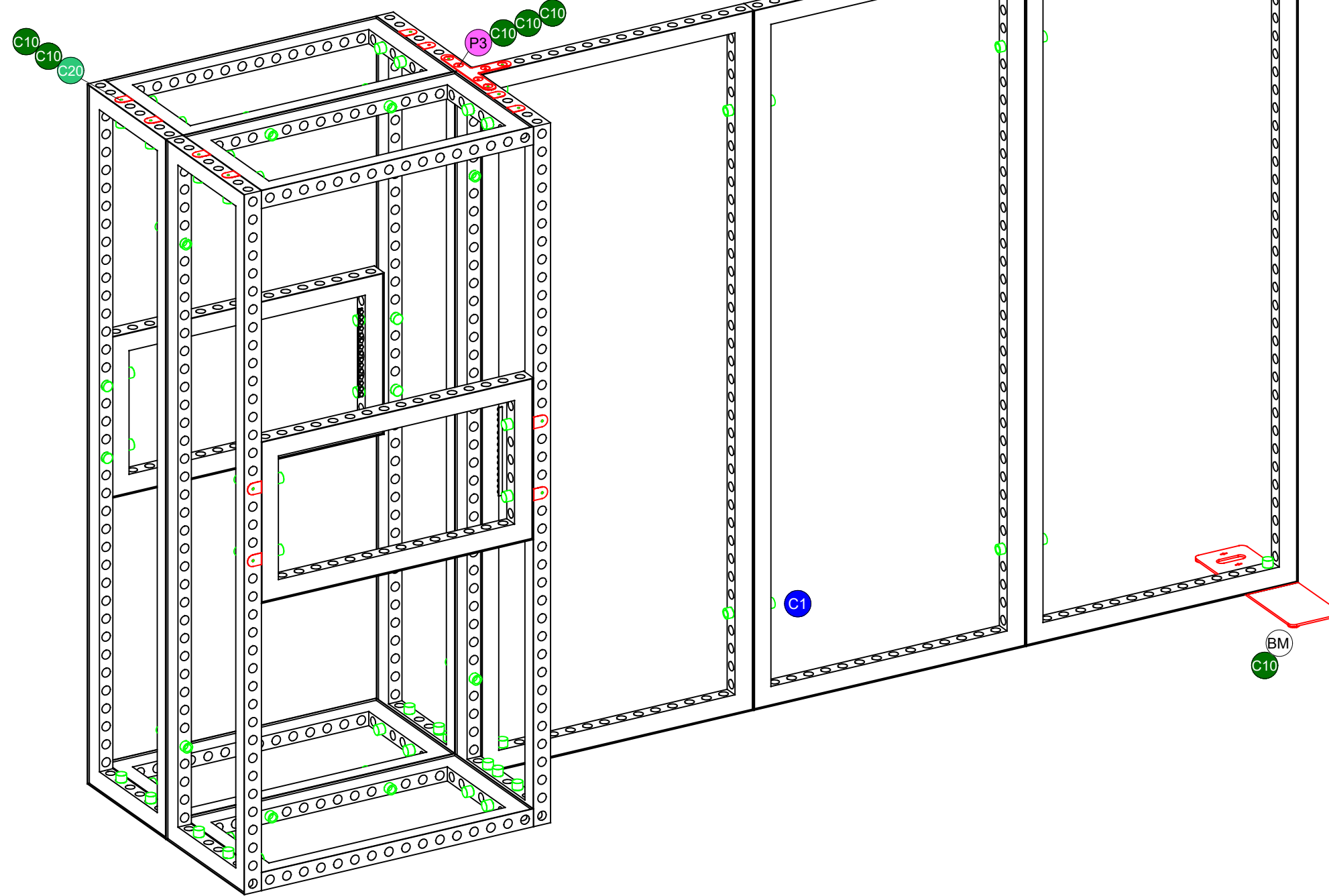
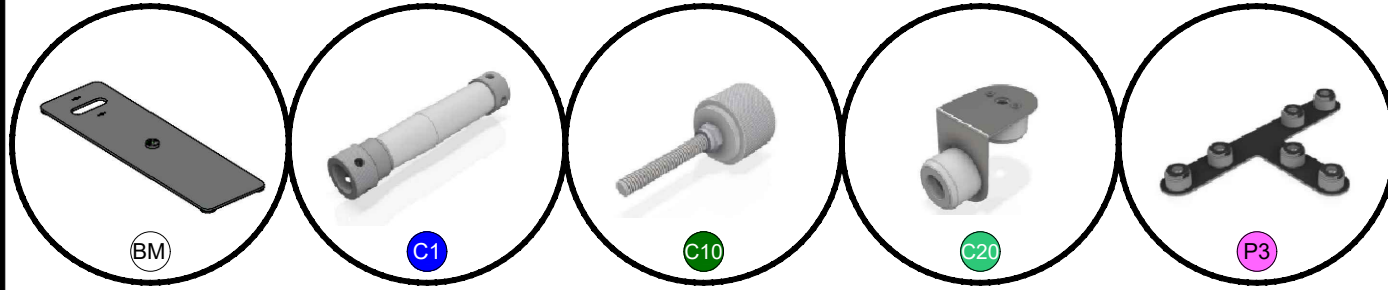
Vault File Name: AAAAI24 Exhibit Hall Structure L10814305 DET.dwg



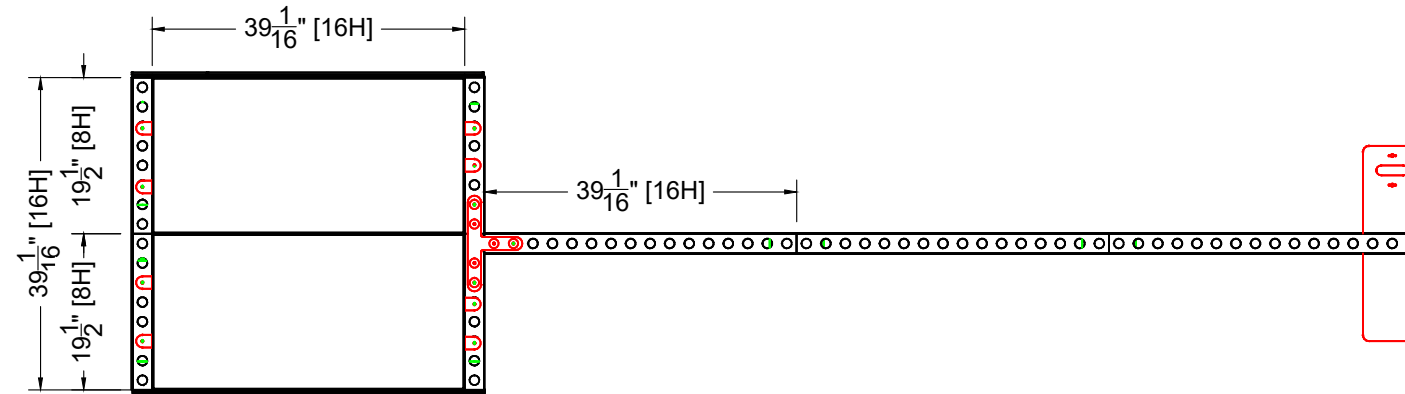
3D VIEW - 2



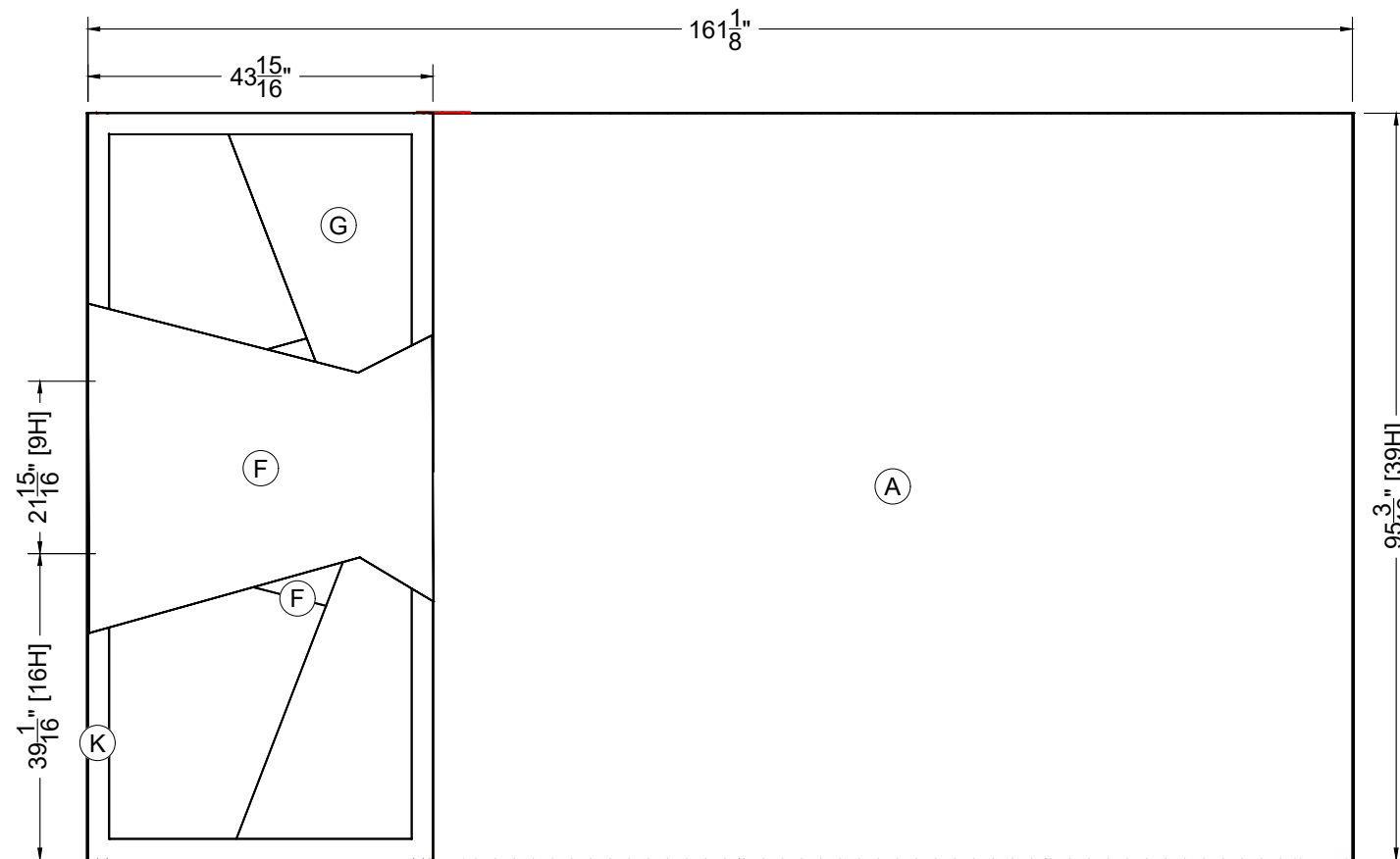
EXPLODED VIEW



STRUCTURE VIEW



PLAN VIEW



FRONT ELEVATION

**PRODUCTION-READY
DETAIL**

Exhibit Hall - Floor Plan Structure

D

Am Acdmy of Allergy Asthma &
Immunology - Annual Mtg Feb
2024

WALTER E WASHINGTON CONVENTION CENTER
WASHINGTON,DC | 02/23/24 - 02/26/24

10814305

524437

EXHIBIT NAME / UNIT NAME

EXHIBIT # / UNIT LOCATION

EVENT NAME

EVENT FACILITY / DATES

PASSPORT LINE ITEM #

WORK TICKET #

JOB #

PARTS LIST

I.D.	Qty	Type	Size	Area (SqFt)	Part Number	Description	Material	Color	Notes	Low Inv.	Weight	
	2	Accessories	Standard		<<CUSTOM>>	LED Strip "White Light"	TBD	TBD				
	4	FLEX Frame-Straight	19-1/2" x 39-1/16" (19.5" x 39.1")		60400025	Straight Frame 08 Hole x 16 Hole	Aluminum	Silver	SF08160001		31.52	
	4	FLEX Frame-Straight	19-1/2" x 95-3/16" (19.5" x 95.2")		60400028	Straight Frame 08 Hole x 39 Hole	Aluminum	Silver	SF08390001		61.72	
	2	FLEX Frame-Straight	22" x 39-1/16" (22.0" x 39.062")		60400030	Straight Frame 09 Hole x 16 Hole	Aluminum	Silver	SF09160001		16.42	
	3	FLEX Frame-Straight	39-1/16" x 95-3/16" (39.062" x 95.188")		60400043	Straight Frame 16 Hole x 39 Hole	Aluminum	Silver	SF16390001		54.18	
BM	1	FLEX Acc-Base Plate	7-5/16" x 24-7/16" x 0-7/16"		60440082	Base plate medium	Steel	Silver		X	12.56	
C20	24	FLEX Acc-Pin Plate	Standard		60440055	Stainless steel 90° connector base	Steel	Stainless	CO901280222INOX		21.36	
P3	2	FLEX Acc-Pin Plate	Standard		60440069	6 Pin T	Steel	Chrome	CO901280364C		3.52	
C1	12	FLEX Part-Connector	Standard		60440043	Manual Clamp Connector	Aluminum	Silver	CO90120250132POM		4.44	
C10	55	FLEX Part-Connector	Standard		60440047	Manual M8 Pin Connector	Aluminum	Silver	CO90120480066MKII		12.10	
A	2	FLEX Fabric Graphic	117-3/16" x 95-3/16" (117.188" x 95.188")	77.5	<<CUSTOM>>	117-3/16" x 95-3/16" FLEX Fabric Graphic	Fabric	Graphic				
B	4	FLEX Insert Graphic	19-1/4" x 94-15/16" (19.25" x 94.938")	12.7	<<CUSTOM>>	FLEX Insert Graphic - Graphic	PVC 3MM	Graphic	w/ Female Velcro			
C	2	FLEX Insert Graphic	21-11/16" x 38-3/4" (21.688" x 38.75")	5.8	<<CUSTOM>>	FLEX Insert Graphic - Graphic	PVC 3MM	Graphic	w/ Female Velcro			
M	6	Flex Insert	19-1/4" x 38-3/4" (19.25" x 38.75")	5.2	60160031	PVC INFILL FOR STRAIGHT FRAME 08 HOLE X 16 HOLE	PVC 3MM	White	w/ Female Velcro		0.78	
N	4	Flex Insert	19-1/4" x 94-15/16" (19.25" x 94.938")	12.7	60160035	PVC INFILL FOR STRAIGHT FRAME 08 HOLE X 39 HOLE	PVC 3MM	White	w/ Female Velcro		1.00	
P	4	Flex Insert	21-11/16" x 38-3/4" (21.688" x 38.75")	5.8	60160038	PVC INFILL FOR STRAIGHT FRAME 09 HOLE X 16 HOLE	PVC 3MM	White	w/ Female Velcro		0.56	
D	2	Overlay Graphic Panel	19-1/4" x 89-7/8" (19.25" x 89.875")	12.0	<<CUSTOM>>	Overlay Panel	PVC 3MM	Graphic				
E	1	Overlay Graphic Panel	39-1/16" x 95-3/16" (39.062" x 95.188")	25.8	<<CUSTOM>>	Overlay Panel	PVC 3MM	Graphic				
F	2	Overlay Graphic Panel	43-7/8" x 41-1/2" (43.875" x 41.500")	12.6	<<CUSTOM>>	Front Cutout	1/4 foam	Graphic	See CNC			
G	1	Overlay Graphic Panel	23-3/4" x 90-1/2" (23.75" x 90.500")	14.9	<<CUSTOM>>	Overlay Graphic Panel - Center	1/2" Foam	Graphic	See CNC			
H	1	Overlay Graphic Panel	39-1/16" x 39-1/16" (39.062" x 39.062")	10.6	<<CUSTOM>>	Overlay Graphic Panel - Bottom	PVC 3MM	Graphic	See CNC			
J	1	Overlay Graphic Panel	39-1/16" x 39-1/16" (39.062" x 39.062")	10.6	<<CUSTOM>>	Overlay Graphic Panel - Top	PVC 3MM	Graphic	See CNC			
K	2	Overlay Graphic Panel	43-15/16 x 95-3/16" (43.938" x 95.188")	29.0	<<CUSTOM>>	Overlay Panel - Border	PVC 3MM	Graphic	See CNC			
O39	1	Overlay Graphic Panel	2-7/16" x 95-3/16" (2.438" x 95.188")	1.6	<<CUSTOM>>	Cover Profile 39 Hole	PVC 3MM	Graphic				
O16	2	Overlay Panel	2-7/16" x 39-1/16" (2.438" x 39.062")	0.7	<<CUSTOM>>	Cover Profile 16 Hole	PVC 3MM	Graphic				
				Total Area:	237.50						Total Weight:	220.16

LESS THAN 30 DAYS OUT



* 0 0 0 0 0 0 0 0 0 1 - 1 0 1 - 0 *

MORE THAN 30 DAYS OUT



* 0 0 0 0 0 0 0 0 0 1 - 1 0 1 - 1 *



Business Development Mgr:

Jennifer Chagnon

Client Solutions Mgr:

Donna Nordone

Detailer:

Nanci Askew

Last Saved:

7/18/2023 7:46 AM

Revision:

B

These original concepts and designs are sole property of FREEMAN. Any reproduction or use is prohibited without written consent of FREEMAN. © Copyright 2023 FREEMAN

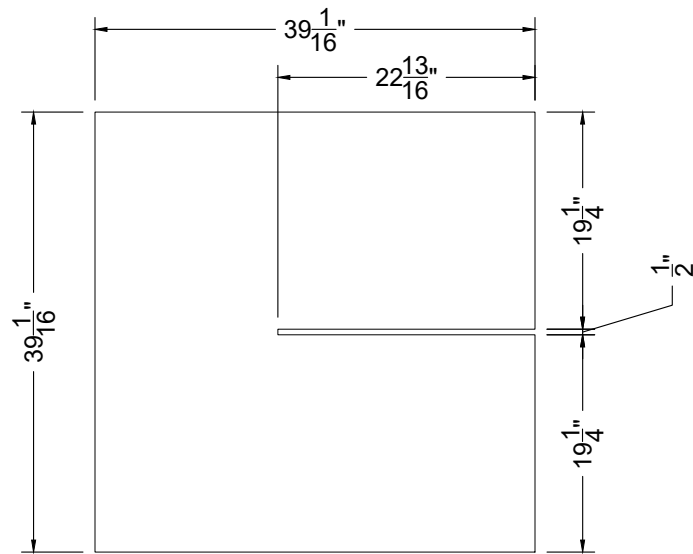
ORDERED BY:

ORDER DATE:

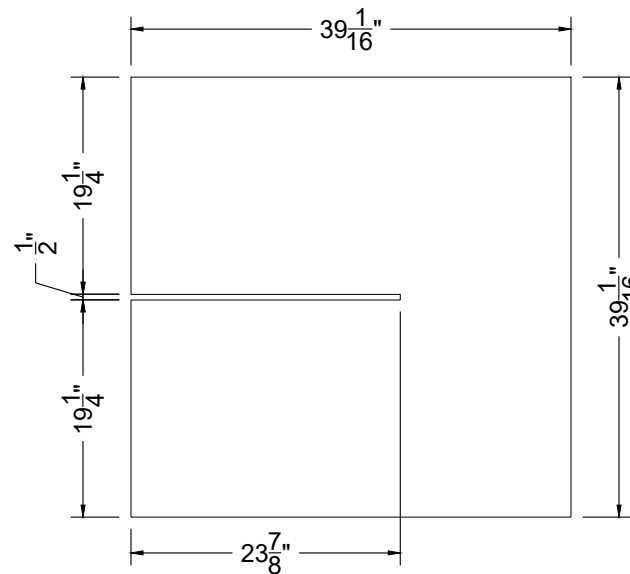
DUE DATE:

7

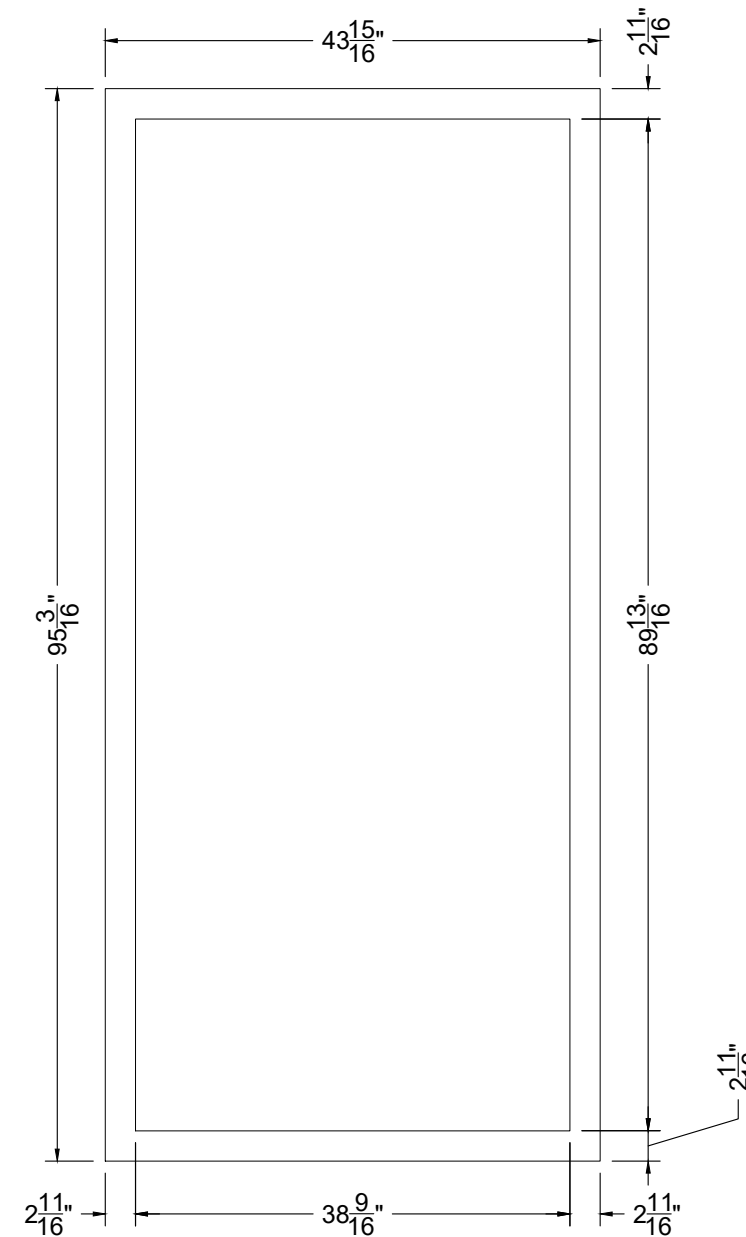
10814305



NAME: PANEL "H"; OVERLAY GRAPHIC PANEL-BOTTOM
MATERIAL: PVC 3MM
NOTES: GRAPHIC
QTY: 1



NAME: PANEL "J"; OVERLAY GRAPHIC PANEL-TOP
MATERIAL: PVC 3MM
NOTES: GRAPHIC
QTY: 1



NAME: PANEL "K"; OVERLAY GRAPHIC PANEL-BORDER
MATERIAL: PVC 3MM
NOTES: GRAPHIC
QTY: 2

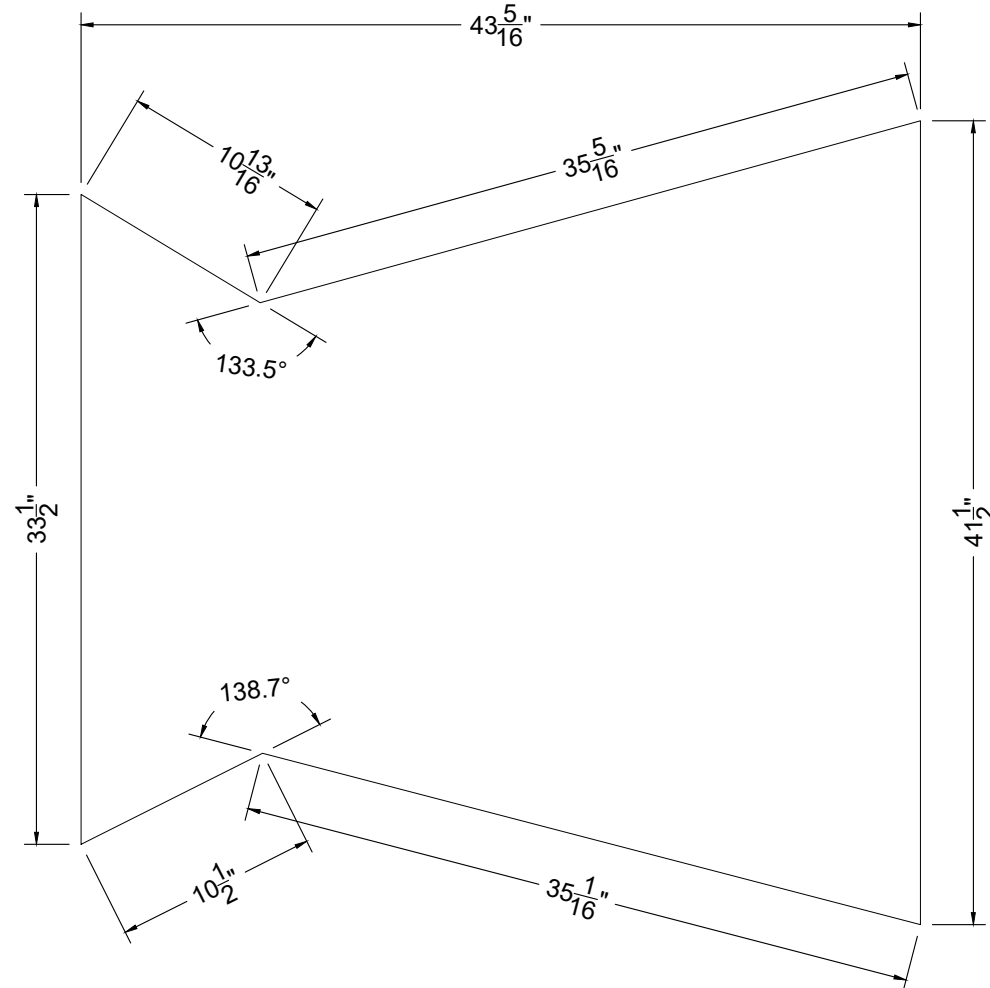
ORDERED BY:

ORDER DATE:

DUE DATE:

8

10814305



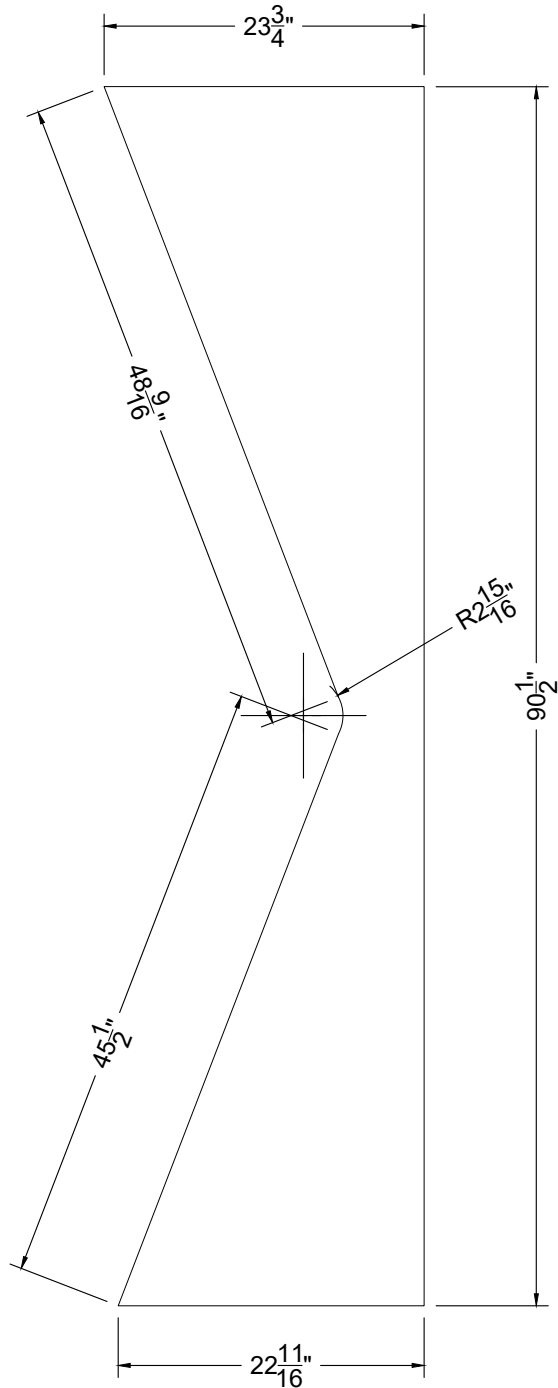
NAME: PANEL "F"; CENTER PANEL-FRONT/BACK
MATERIAL: 1/4" FOAM
NOTES: GRAPHIC
QTY: 2

ORDERED BY:

ORDER DATE:

DUE DATE:

9



NAME: PANEL "G"; CENTER PANEL
MATERIAL: 1/2" FOAM
NOTES: GRAPHIC
QTY: 1