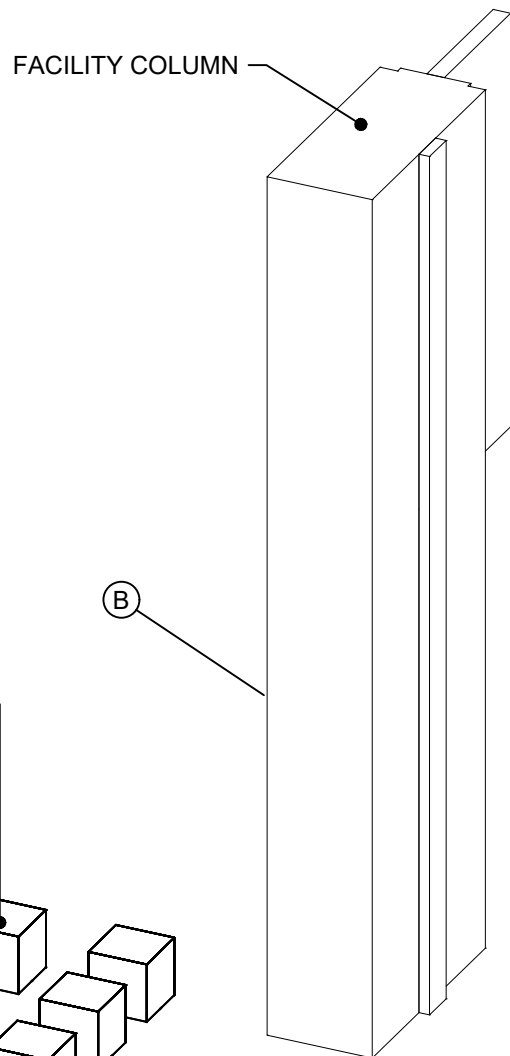
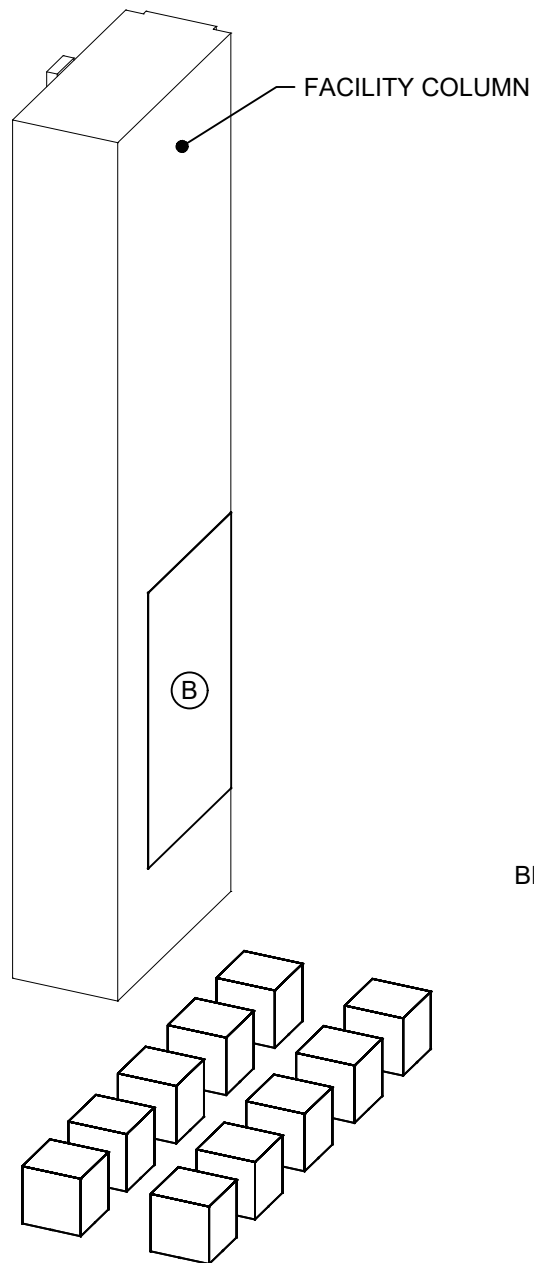
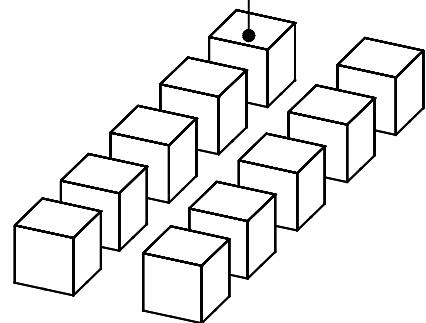


Pull List

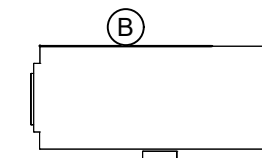
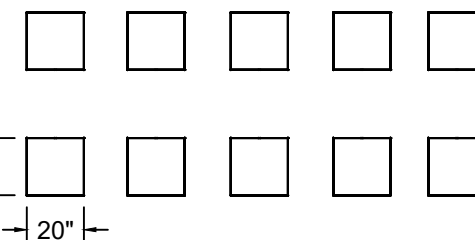
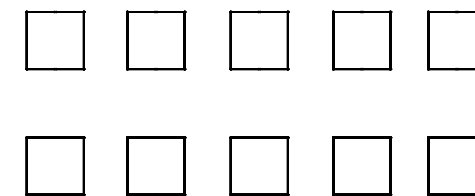
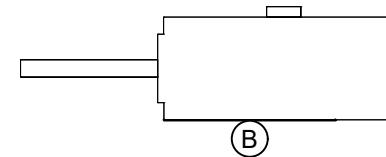
I.D.	Qty	Type	Size	Area (SqFt)	Part Number	Description	Material	Color	Notes	Low Inv.	Weight
B	2	Overlay Graphic Panel	60" x 96"	40.0	<<CUSTOM>>	Overlay Graphic	Cling	SS Graphic			
Total Area:				40.00						Total Weight:	0.00



BRANDED REBOARD SEATING CUBES



FRONT VIEW



PLAN VIEW

LESS THAN 30 DAYS OUT

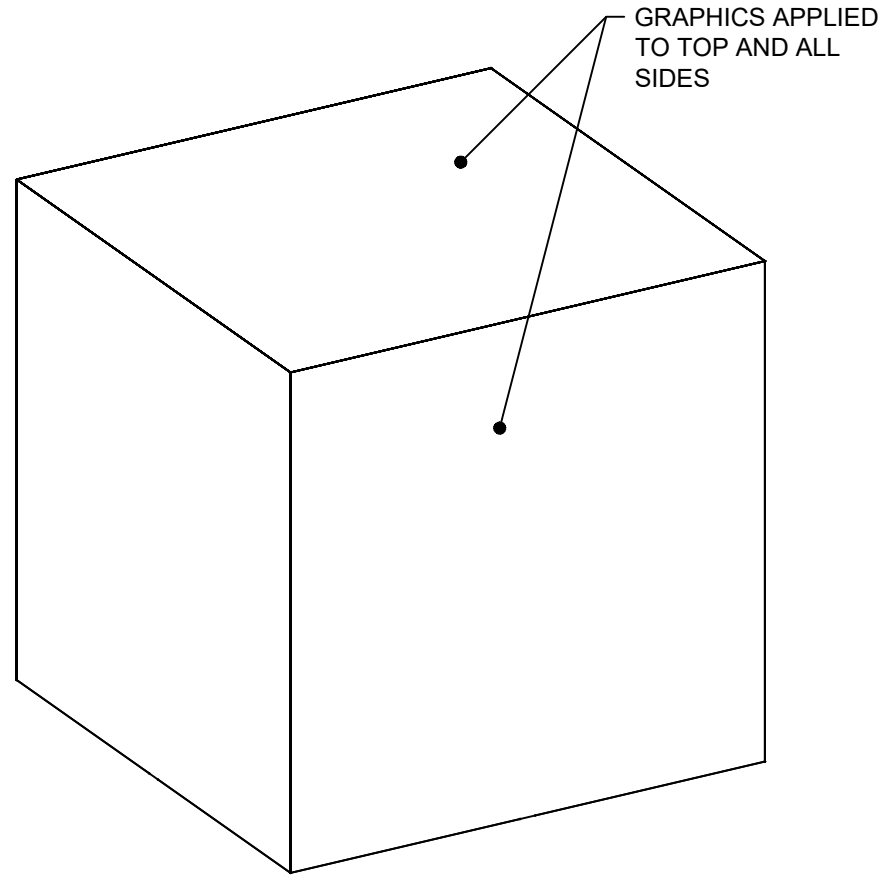


* 0 0 5 2 4 4 3 7 0 1 . 1 0 2 8 . 0 *

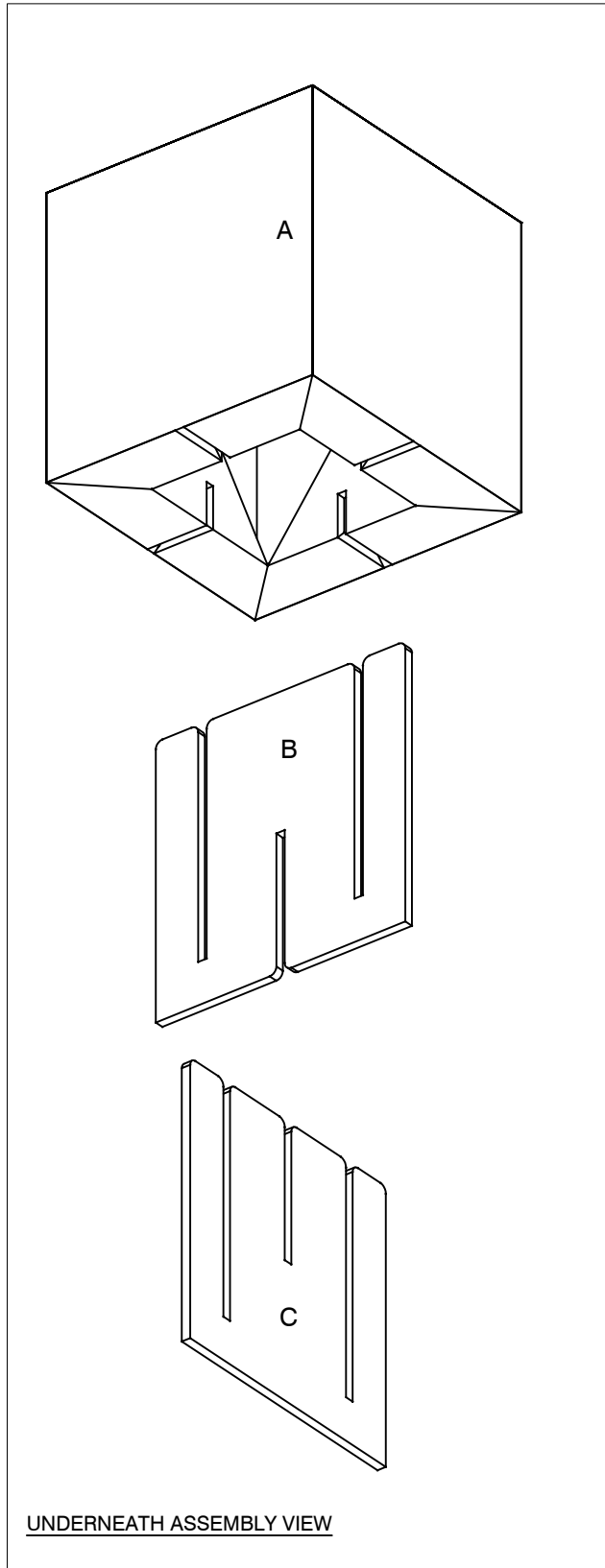
MORE THAN 30 DAYS OUT



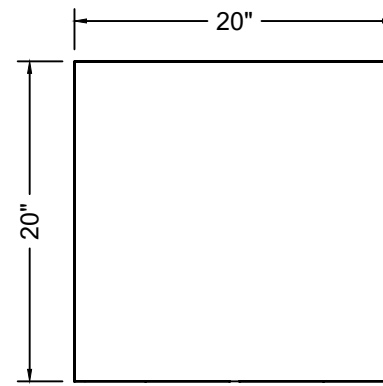
* 0 0 5 2 4 4 3 7 0 1 . 1 0 2 8 . 1 *



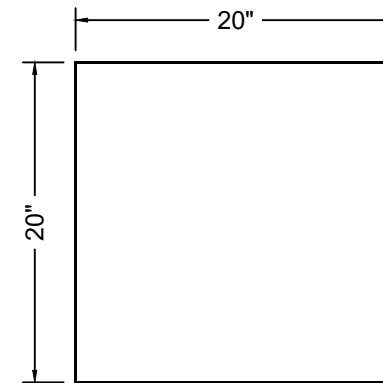
FRONT VIEW



UNDERNEATH ASSEMBLY VIEW



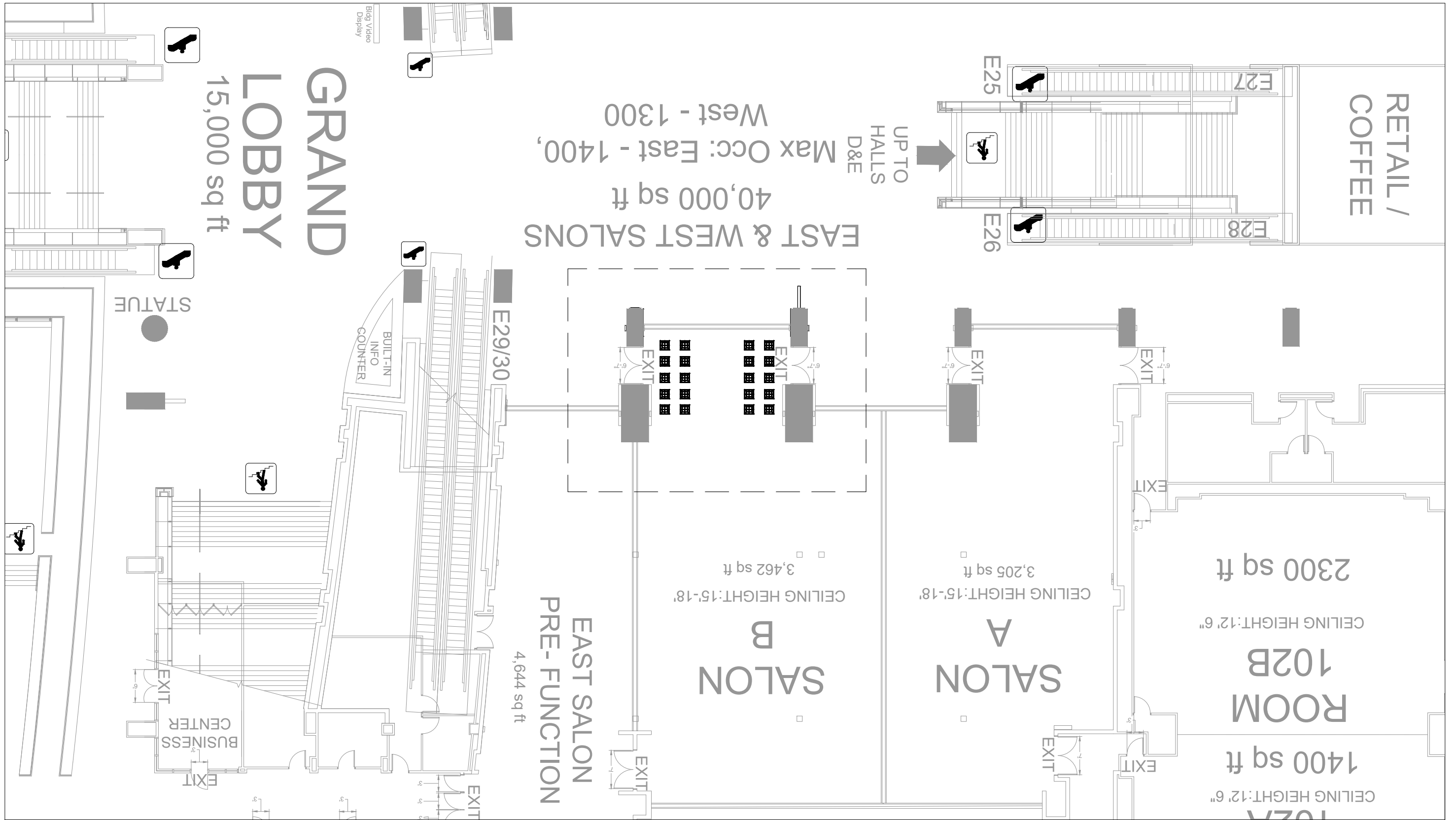
FRONT ELEVATION
Scale: 1" = 1'-0"



PLAN VIEW
Scale: 1" = 1'-0"

QTY: 20

PIECE COUNT FOR 1 UNIT



OVERALL FLOORPLAN

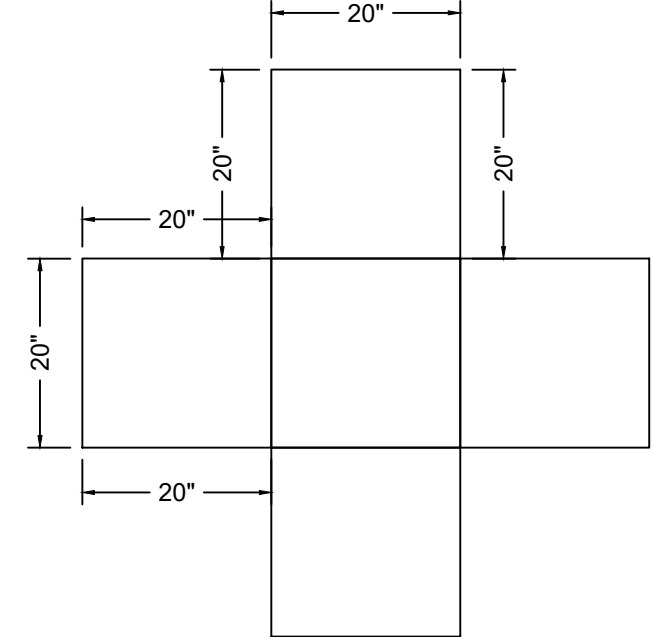
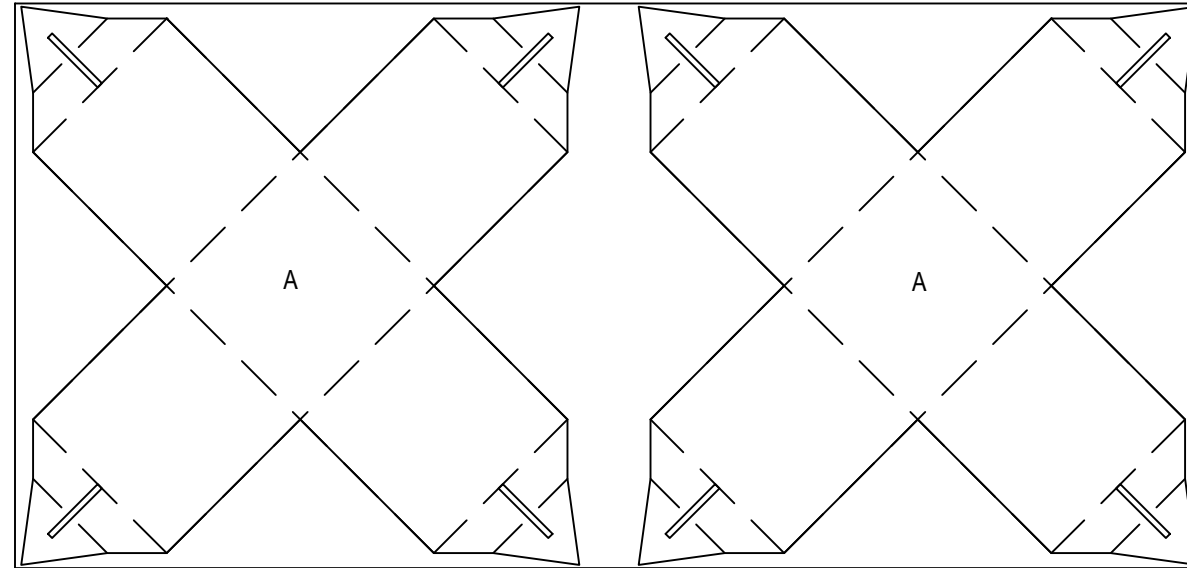
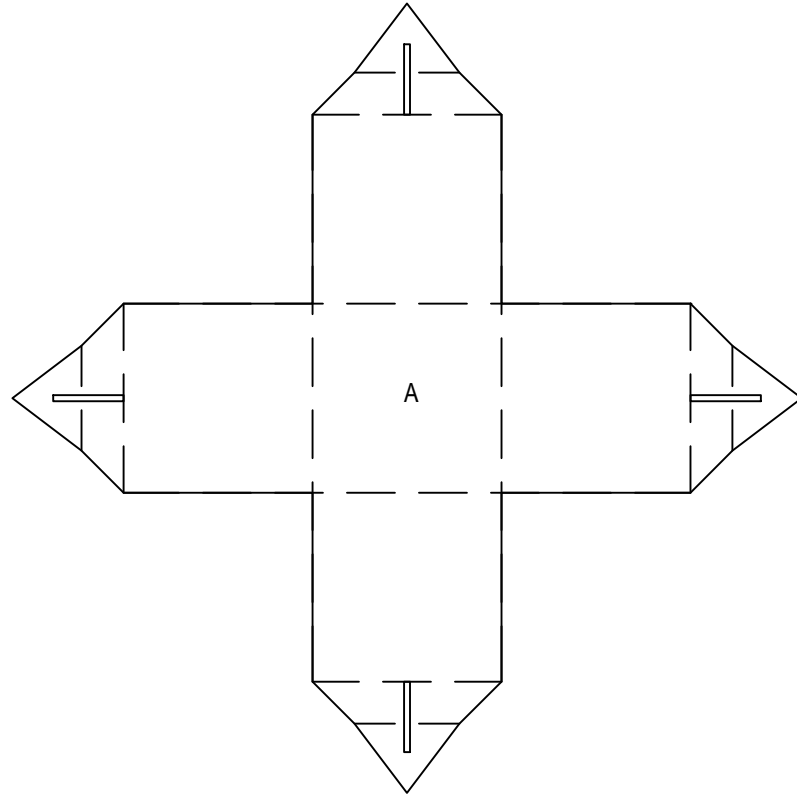
ORDERED BY:

ORDER DATE:

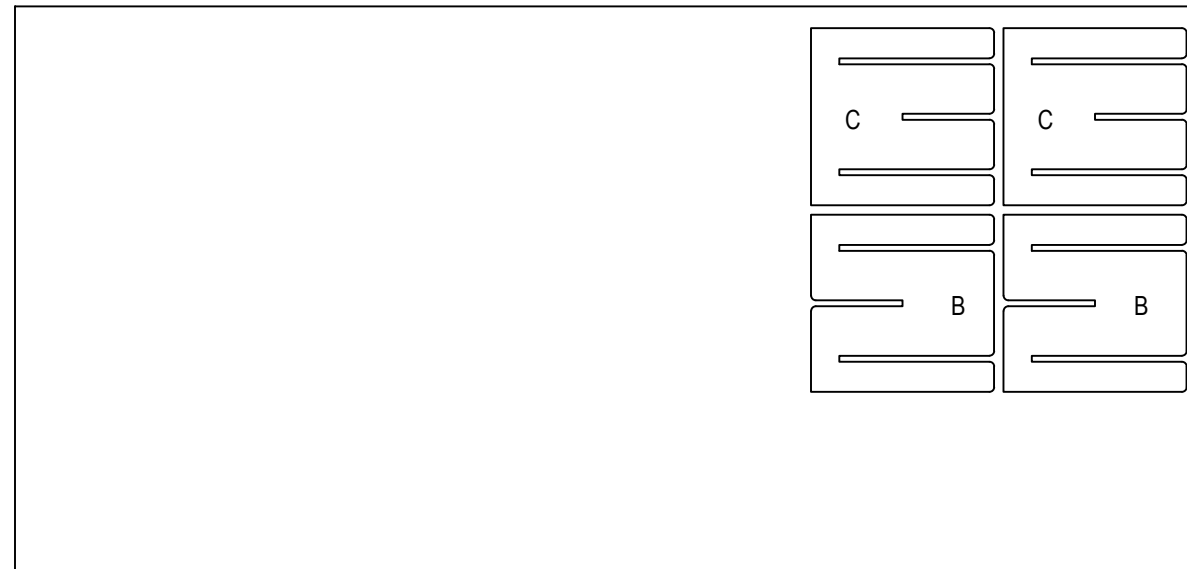
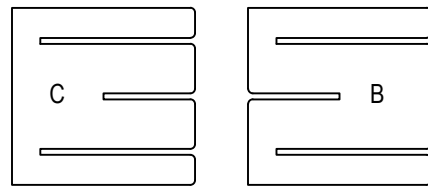
DUE DATE:

4

10857948



ARTBOARDS



NAME: SEATING CUBES
MATERIAL: 0.625" RE-BOARD
NOTES: SHEET LAYOUT YIELDS 2 CUBES
QTY:
NEED TO CUT: