

CROHN'S & COLITIS CONGRESS®

JANUARY 25-27, 2024 • BELLAGIO, LAS VEGAS

Stacked Cube Sets 3 available

Specs:

- Full specs on pages 2-4.

Deadlines:

Due Date	Task	File Type	Where to Submit	Upload Instructions
December 1, 2023	Artwork due to AGA for approval	PDF	Email to Chloe Stein (cstein@gastro.org)	Please send the artwork as an attachment.
December 7, 2023	Submit Final Print Ready Artwork	File Types Preferred Format: Vector based .eps, .ai, or PDF Other Accepted Formats .psd, .tiff, .jpeg	https://freemanco.app.box.com/f/f376ea8aee2a4282a8ddb10860ee665	Please include opportunity name and company name in the file name when uploading.

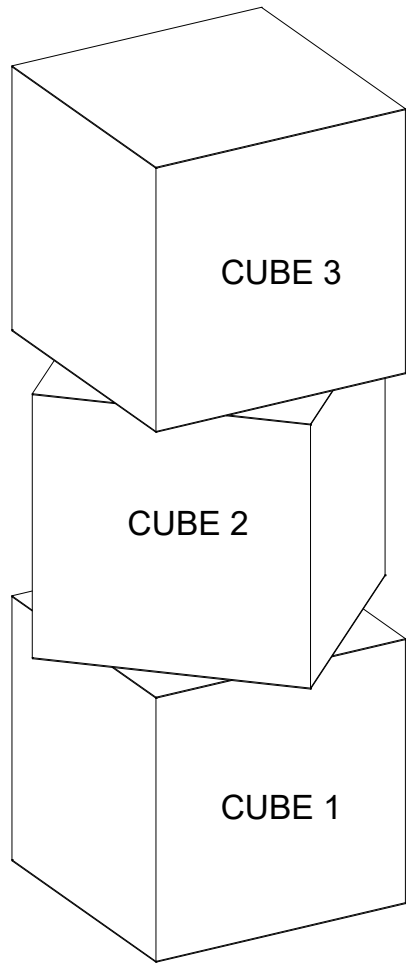
Contacts:

Chloe Stein
 Coordinator, Industry Sales and Operations
 American Gastroenterological Association
cstein@gastro.org

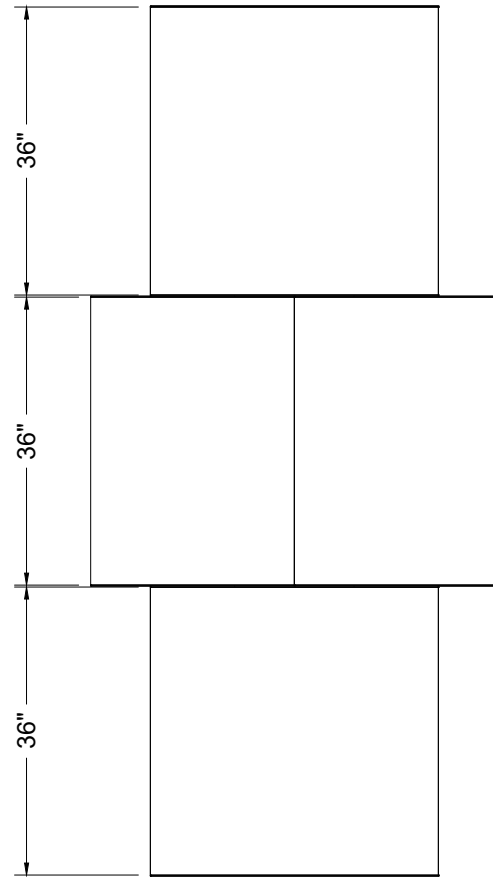
Kaitlin Lawrence
 Director, Industry Sales and Operations
 American Gastroenterological Association
klawrence@gastro.org



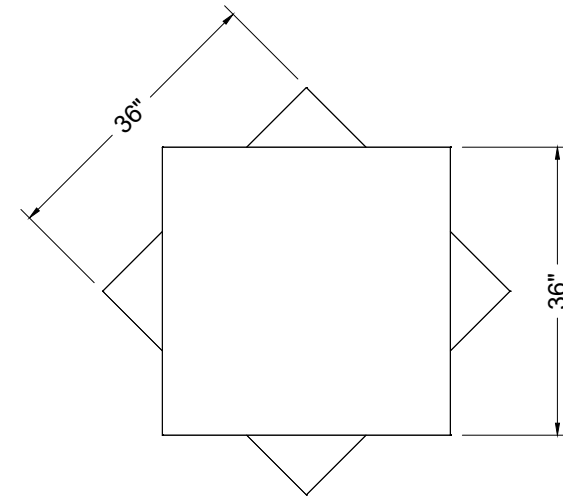
MOCK UP



ISOMETRIC VIEW



ELEVATION VIEW



PLAN VIEW

LESS THAN 30 DAYS OUT

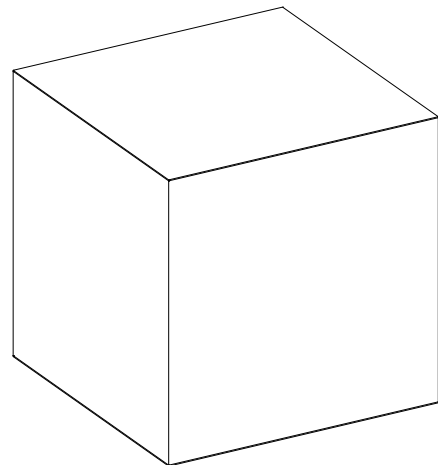


MORE THAN 30 DAYS OUT



QTY: 3

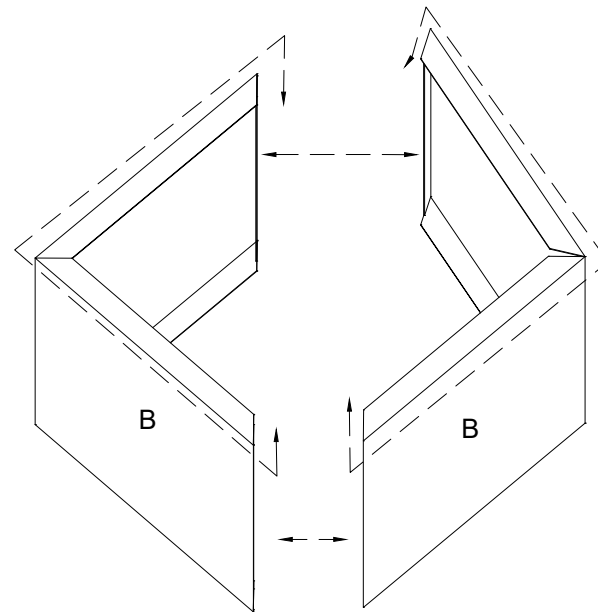
3' NON HANGING CUBE



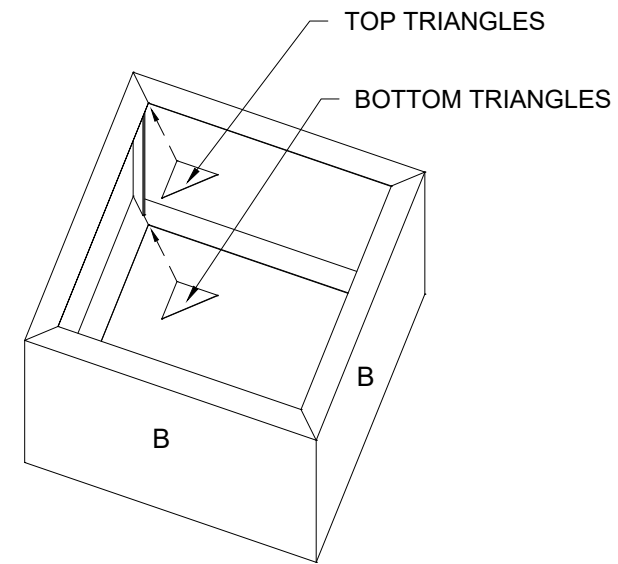
ISOMETRIC VIEW



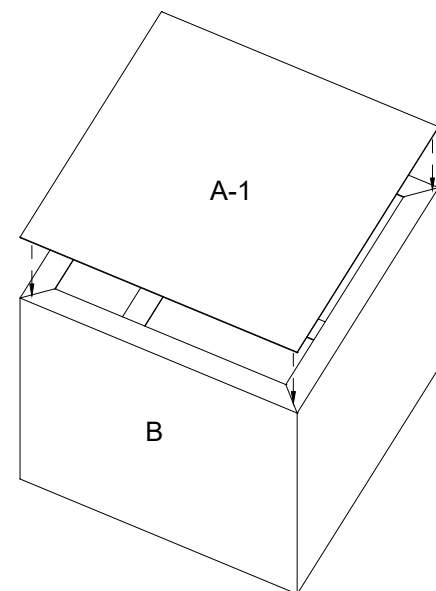
MOCK UP



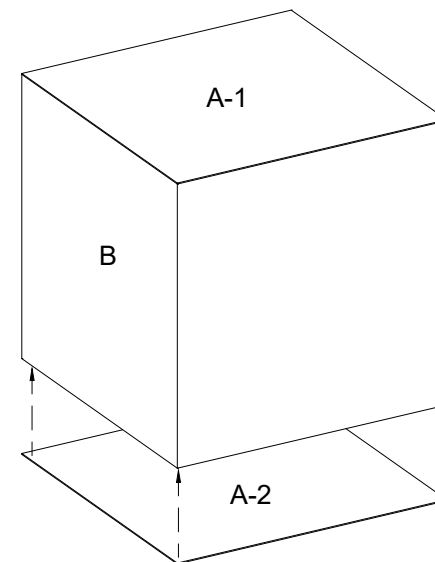
STEP 1
FOLD BOTH PANEL B'S ACCORDINGLY TO FORM 3' x 3' CUBE (ALL FLAPS ARE 3").



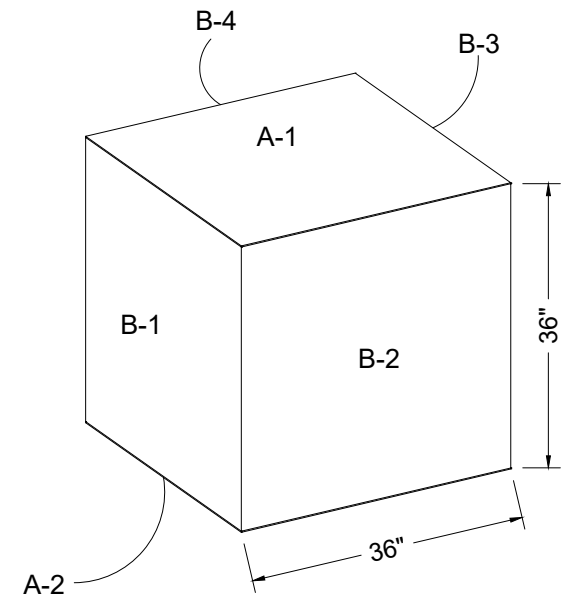
STEP 2
INSERT TRIANGULAR PIECES & USE HOT GLUE TO SECURE PANEL B FLAPS AND TRIANGLES IN PLACE



STEP 3
ATTACH TOP PANEL USING HOT GLUE



STEP 4
ATTACH BOTTOM PANEL USING HOT GLUE



LESS THAN 30 DAYS OUT

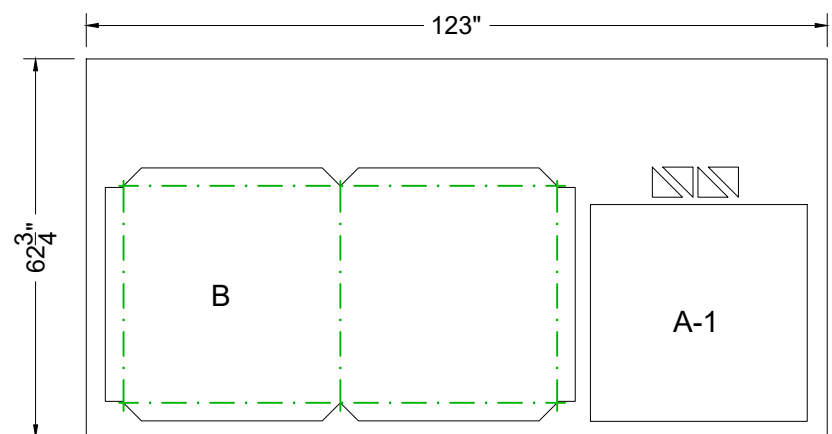


MORE THAN 30 DAYS OUT

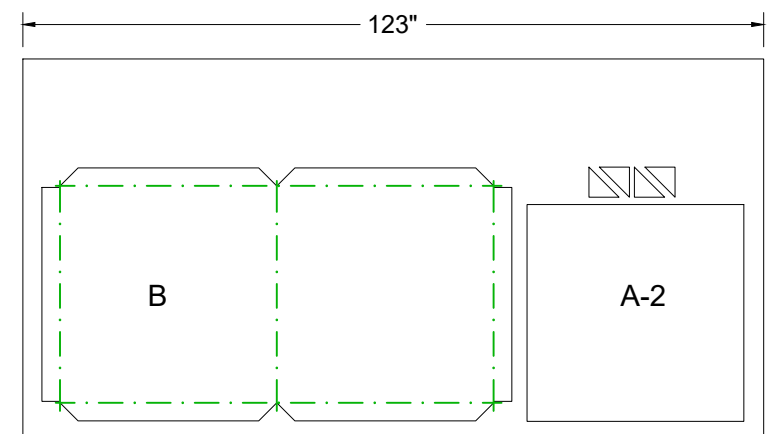


ORDERED BY:	ORDER DATE:	DUE DATE:	3
-------------	-------------	-----------	---

CUT FILE

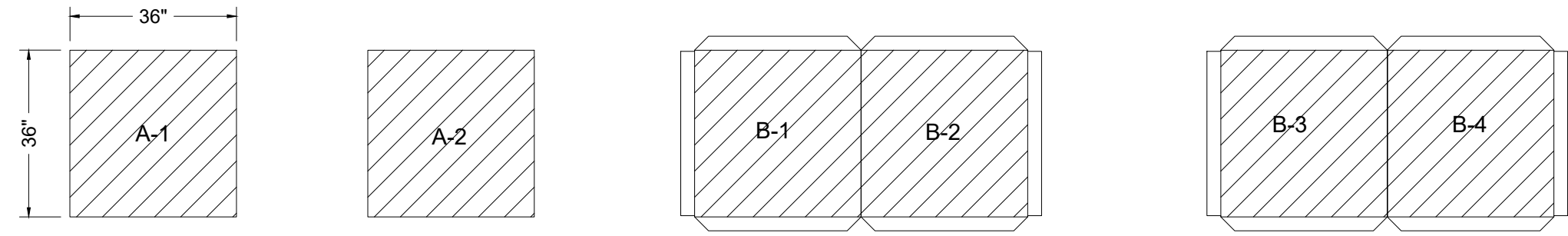


NAME: PANEL B, A-1 & TOP TRIANGULAR PCS.
 MATERIAL: 1/8" CARDBOARD FLUTE SHEET
 NOTES:
 QTY: 1
 NEED TO CUT:



NAME: PANEL B, A-2 & BOTTOM TRIANGULAR PCS.
 MATERIAL: 1/8" CARDBOARD FLUTE SHEET
 NOTES:
 QTY: 1
 NEED TO CUT:

ARTBOARD



LEGEND

- — ■ - THRU CUT
- - - ■ - CREASE
- ▨ - ART AREA