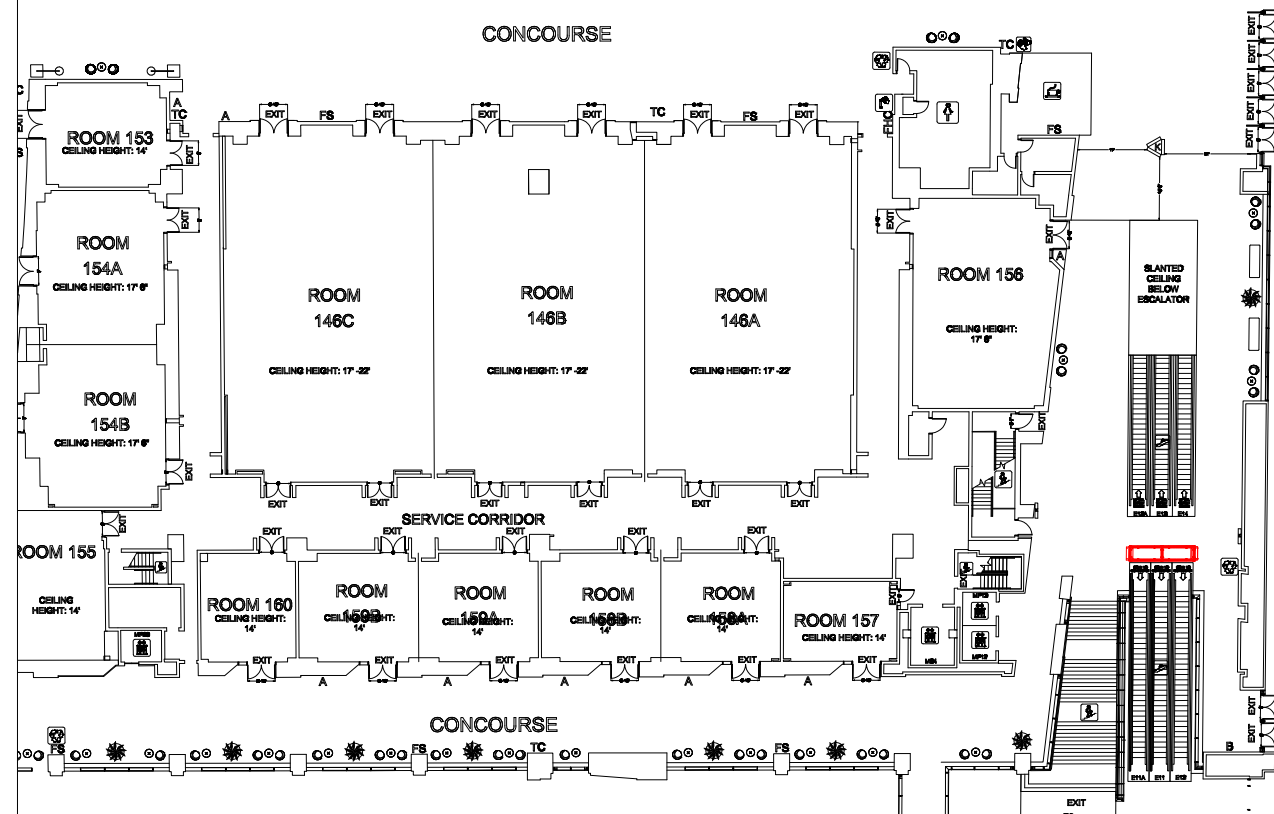


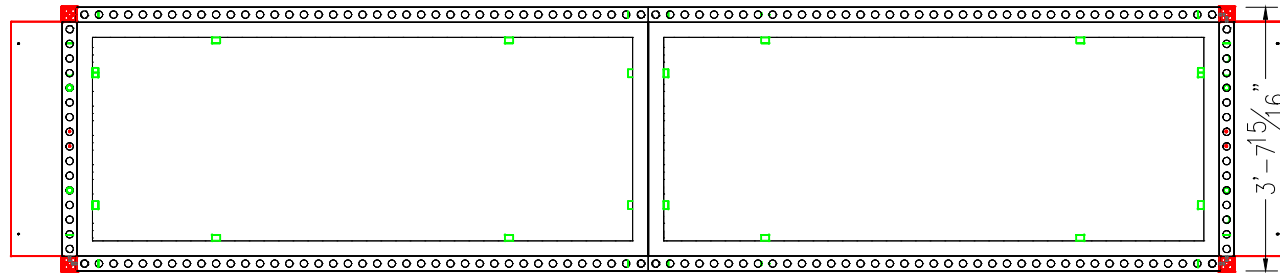
FRONT VIEW



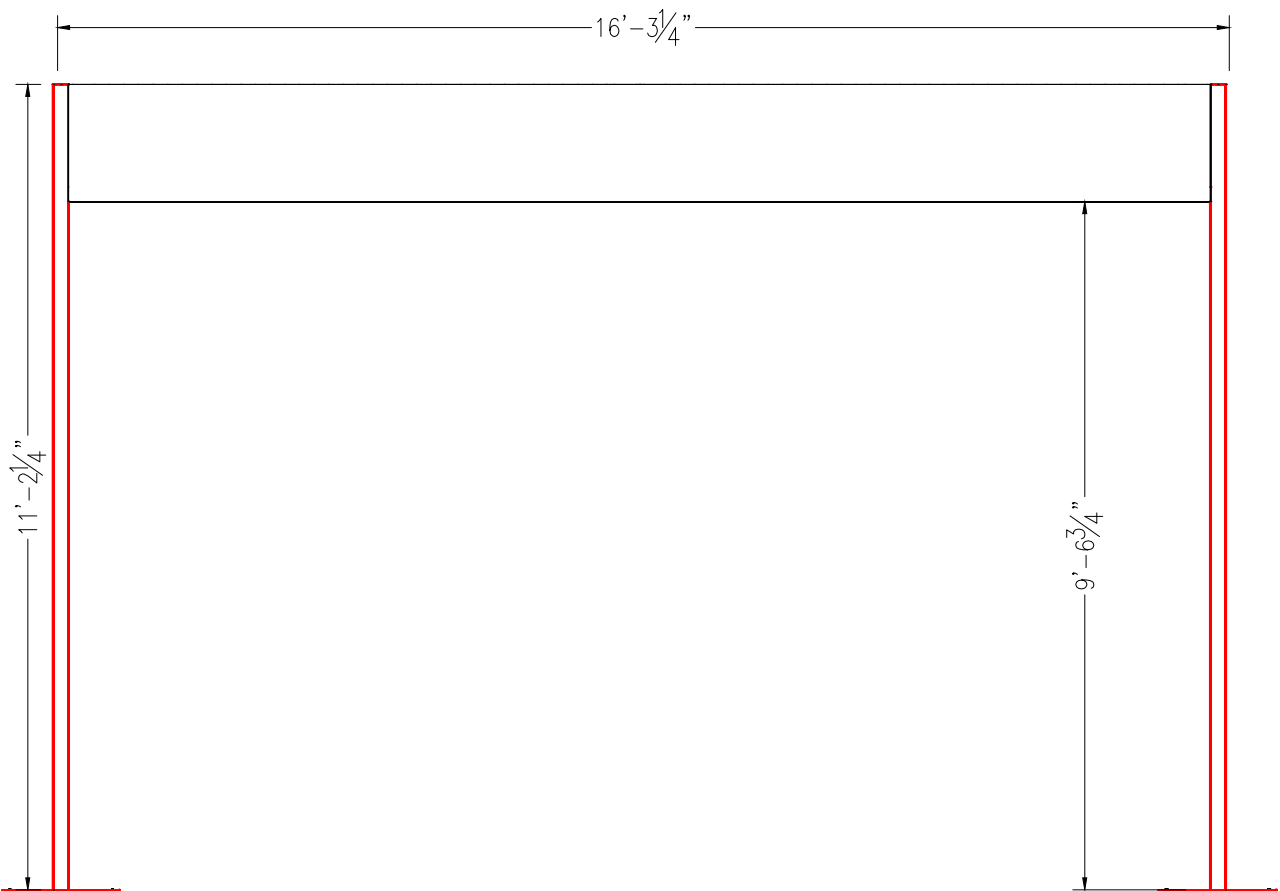
FLOORPLAN

PARTS LIST

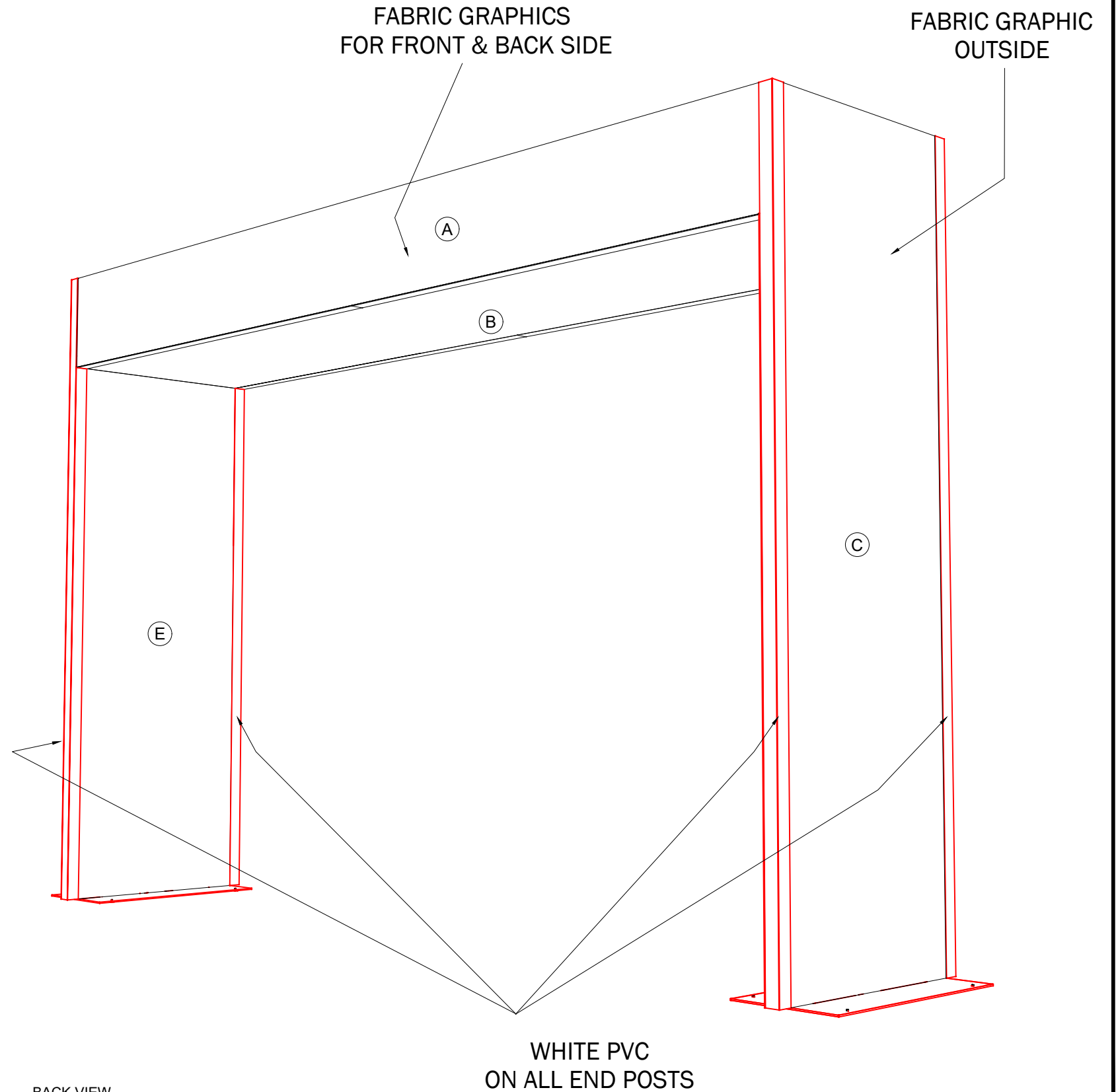
I.D.	Qty	Type	Size	Area (SqFt)	Part Number	Description	Material	Color	Notes	Low Inv.	Weight
	8	Accessories	2" x 2" x 11'-1/2"		<<CUSTOM>>	Custom Infill Post PVC	PVC	Gray			
	4	Accessories	2" x 2" x 8'-0-7/8"		<<CUSTOM>>	Custom Infill Post PVC	PVC	Gray			
	4	FLEX Frame-Straight	19-1/2" x 39-1/16" (19.5" x 39.1")		60400025	STRAIGHT FRAME 08 HOLE X 16 HOLE	Aluminum	Silver	SF08160001		31.52
	4	FLEX Frame-Straight	19-1/2" x 95-3/16" (19.5" x 95.2")		60400028	STRAIGHT FRAME 08 HOLE X 39 HOLE	Aluminum	Silver	SF08390001		61.72
	4	FLEX Frame-Straight	39-1/16" x 95-3/16" (39.062" x 95.188")		60400043	Straight Frame 16 Hole x 39 Hole	Aluminum	Silver	SF16390001		72.24
	4	Flex Post	2-7/16" x 0-1/8" x 11'-4-1/2"		<<CUSTOM>>	Custom Flex ACC Corner Post	PVC	White			
	4	Flex Post	2-7/16" x 2-7/16" x 11'-4-1/2"		<<CUSTOM>>	Custom Flex Acc Corner Post	Steel	Gray			
	4	Flex Post	2-9/16" x 0-1/8" x 11'-4-1/2"		<<CUSTOM>>	Custom Flex ACC Corner Post	PVC	White			
	4	Flex Post	2-9/16" x 1/8" x 11'-4-1/2"		<<CUSTOM>>	Custom Flex ACC Corner Post	PVC	White			
B2	3	FLEX Acc-Base Plate	39-1/16" x 19-1/2"		60440033	STEEL BASE PLATE 496MM X 992MM	Steel	Gray	CO9011008TG	X	144.18
C20	14	FLEX Acc-Pin Plate	Standard		60440055	STAINLESS STEEL 90DEG CONNECTOR BASE	Steel	Stainless	CO901280222INOX		12.46
C1	10	FLEX Part-Connector	6-3/4" x 1-5/16" x 1-5/16"		60440043	MANUAL CLAMP CONNECTOR	Aluminum	Silver	CO90120250132POM		3.70
C1	4	FLEX Part-Connector	Standard		60440043	MANUAL CLAMP CONNECTOR	Aluminum	Silver	CO90120250132POM		1.48
C10	34	FLEX Part-Connector	Standard		60440047	MANUAL M8 PIN CONNECTOR	Aluminum	Silver	CO90120480066MKII		7.48
C12	20	FLEX Part-Connector	Standard		60440048	MANUAL M8 PIN CONNECTOR FOR LEDSKIN	Aluminum	Silver	CO90120480100MKII		4.80
A	2	FLEX Fabric Graphic	190-3/8" x 19-1/2" (190.375" x 19.500")	25.8	<<CUSTOM>>	FLEX Fabric Graphic	Fabric	Graphic			
B	1	FLEX Fabric Graphic	190-3/8" x 39-1/16" (190.375" x 39.062")	51.6	<<CUSTOM>>	FLEX Fabric Graphic	Fabric	White			
C	1	FLEX Fabric Graphic	39-1/16" x 134-1/4" (39.062" x 134.25")	36.4	<<CUSTOM>>	FLEX Fabric Graphic	Fabric	Graphic			
D	1	FLEX Fabric Graphic	39-1/16" x 134-1/4" (39.062" x 134.25")	36.4	<<CUSTOM>>	FLEX Fabric Graphic	Fabric	Graphic			
E	2	FLEX Fabric Graphic	39-1/16" x 114-3/4" (39.062" x 114.75")	31.1	<<CUSTOM>>	FLEX Fabric Graphic	Fabric	Graphic			
	8	Flex Insert	19-1/4" x 38-3/4" (19.25" x 38.75")	5.2	60160031	PVC INFILL FOR STRAIGHT FRAME 08 HOLE X 16 HOLE	PVC 3MM	White	w/ Female Velcro		1.04
O39	4	Overlay Panel	2-7/16" x 95-3/16"	1.6	<<CUSTOM>>	Cover Profile 39 Hole	PVC 3MM	White			
				Total Area:	188.10					Total Weight:	340.62



TOP VIEW
Scale: 3/8" = 1'-0"



FRONT ELEVATION
Scale: 3/8" = 1'-0"



BACK VIEW

