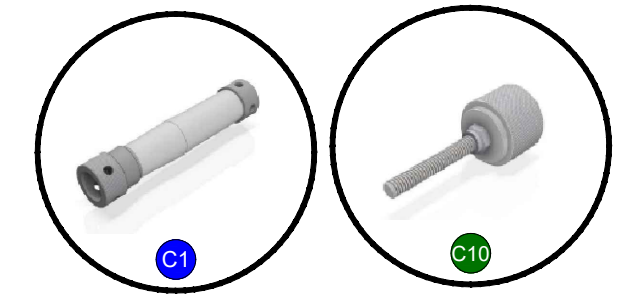
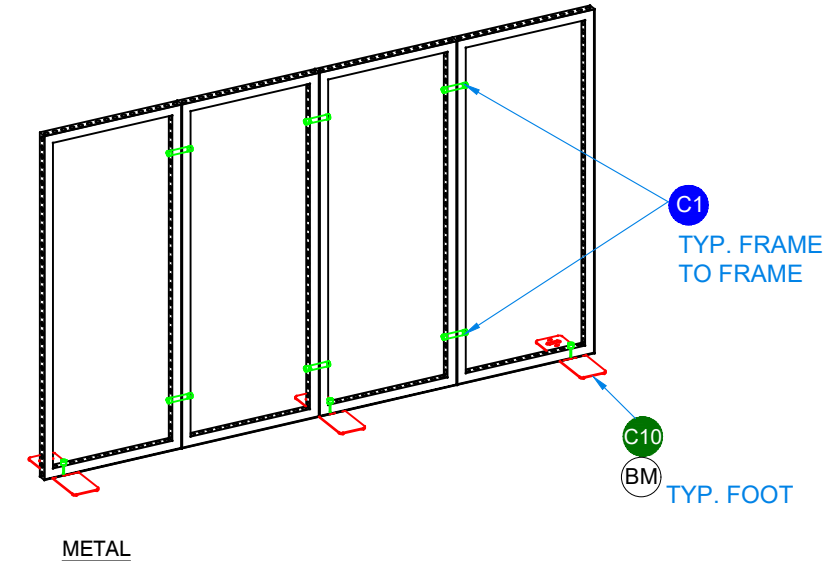
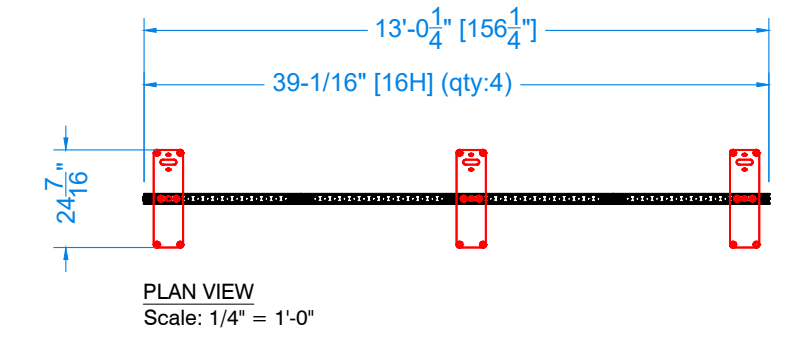
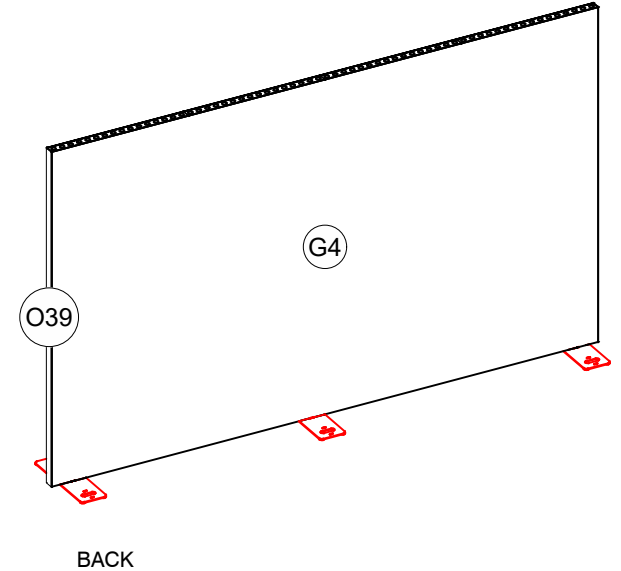
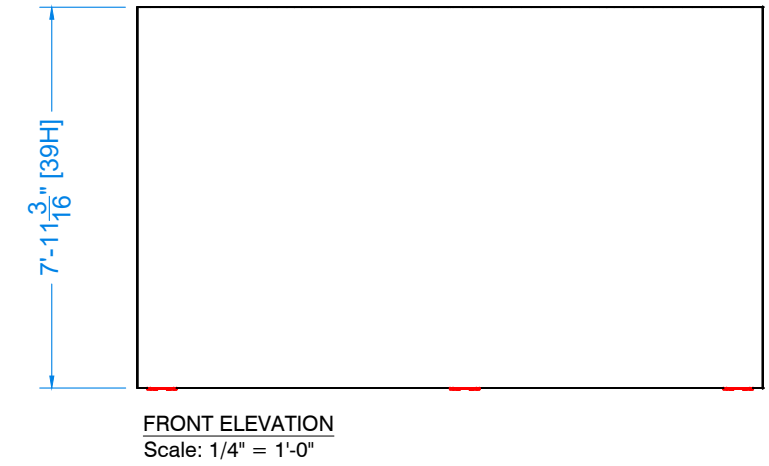
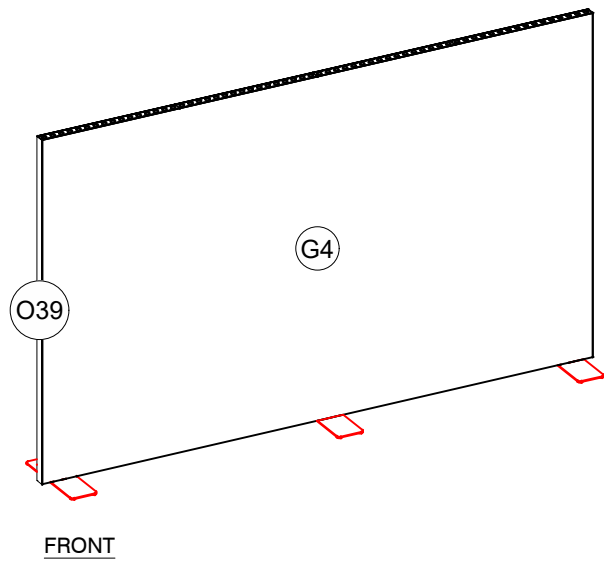


Flex Wall 4M x 8H Fabric DS

I.D.	Qty	Type	Size	Area (SqFt)	Part Number	Description	Material	Color	Notes	Low Inv.
	4	FLEX Frame-Straight	39-1/16" x 95-3/16"		60400043	Straight Frame 16 Hole x 39 Hole	Aluminum	Silver	SF16390001	
BM	3	FLEX Acc-Base Plate	7-5/16" x 24-7/16" x 0-7/16"		60440082	Base plate medium	Steel	Silver		
C1	6	FLEX Part-Connector	Standard		60440043	Manual Clamp Connector	Aluminum	Silver	CO90120250132POM	
C10	3	FLEX Part-Connector	Standard		60440047	Manual M8 Pin Connector	Aluminum	Silver	CO90120480066MKII	
O39	2	Overlay Panel	2-7/16" x 95-3/16"	1.6		Cover Profile 39 Hole	PVC 3MM	White		
G4	2	Flex Graphic Fabric	156-1/4" x 95-3/16"	103.3		Flex Fabric - Graphic	Default Fabric	Graphic		



LESS THAN 30 DAYS OUT

* 0 0 0 0 0 0 0 0 1 - 1 0 2 8 - 0 *

MORE THAN 30 DAYS OUT

* 0 0 0 0 0 0 0 0 1 - 1 0 2 8 - 1 *