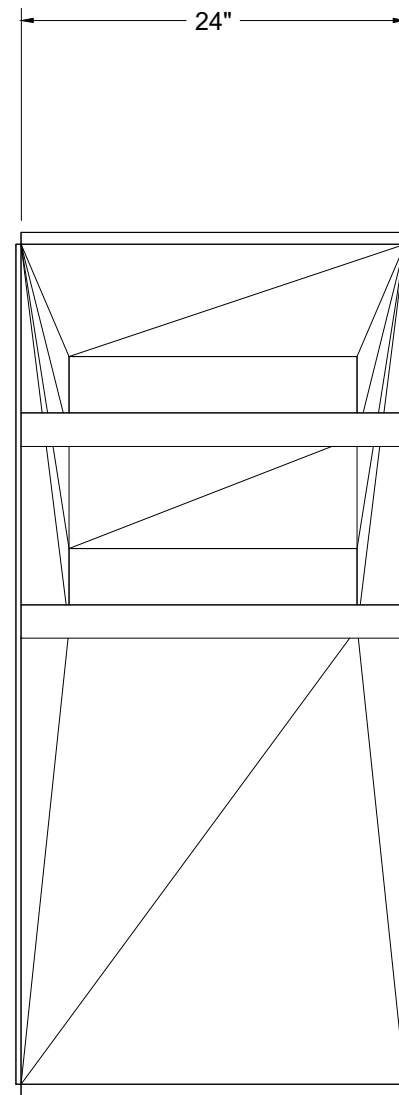


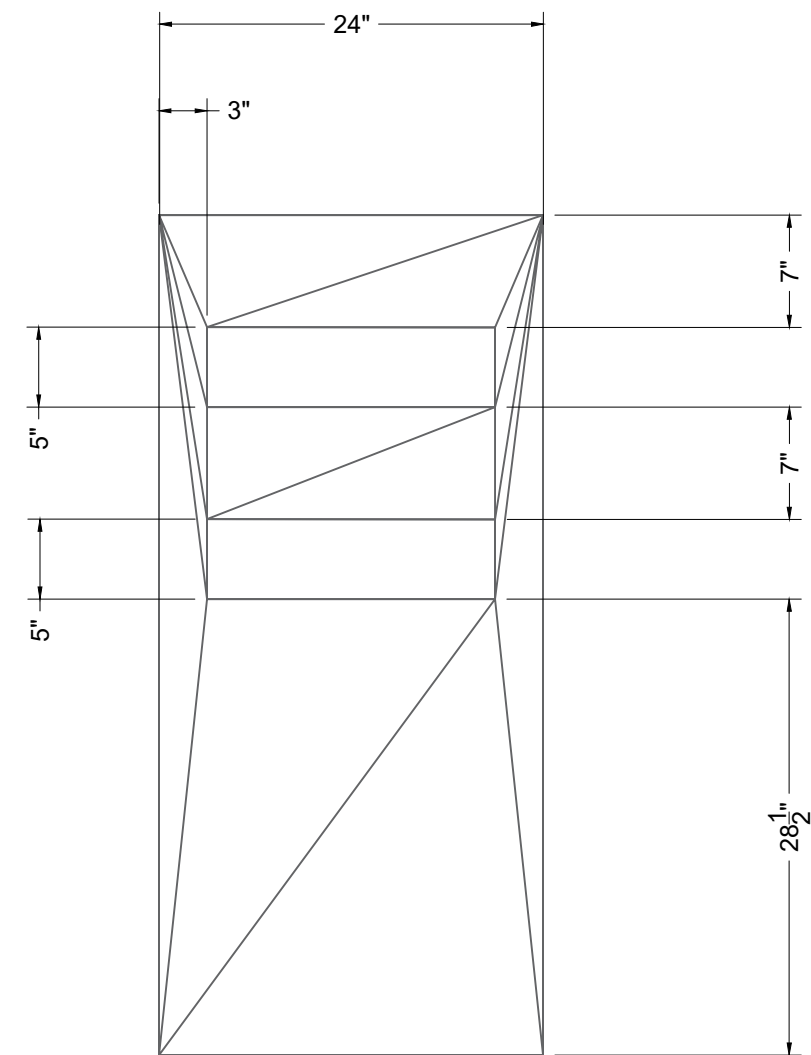
**SIDE VIEW**

SIDE ELEVATION  
Scale: 255/256" = 1'-0"



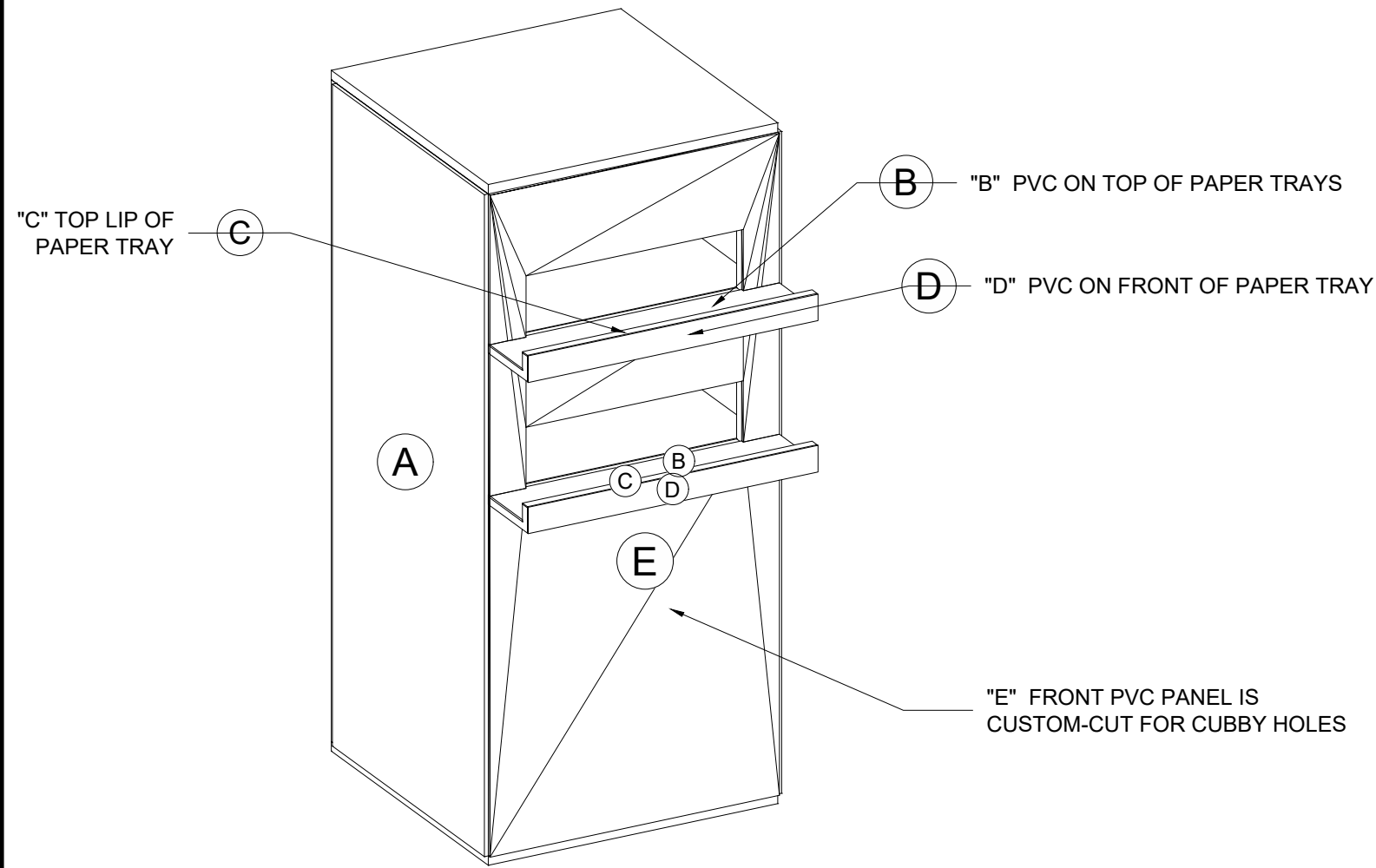
**FRONT VIEW**

FRONT ELEVATION  
Scale: 1" = 1'-0"

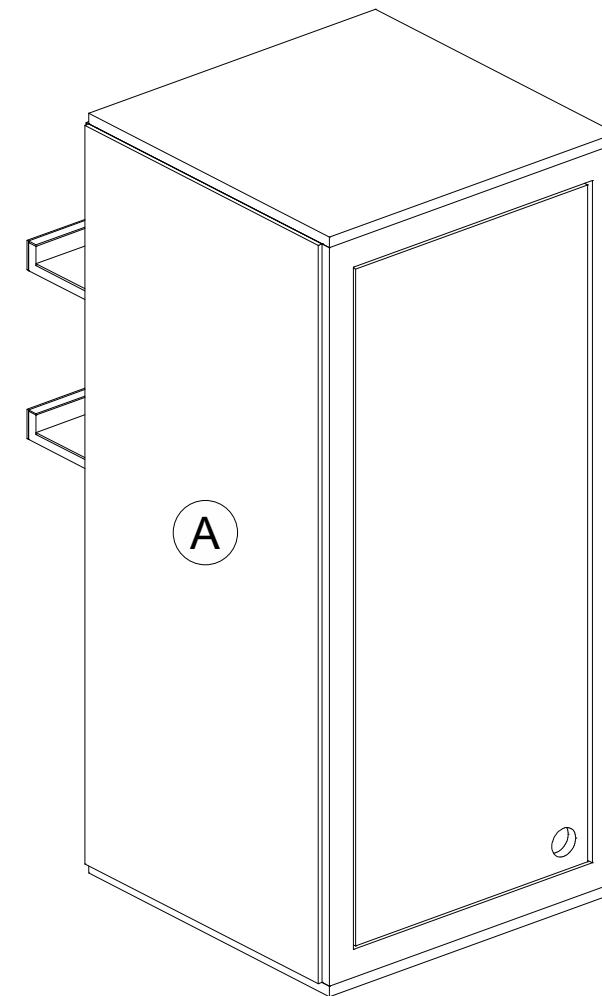


**FRONT PVC PANEL 24" x 52.5"  
(CUSTOM CUT HOLES FOR PAPER TRAYS)**

PLAN VIEW  
Scale: 1" = 1'-0"

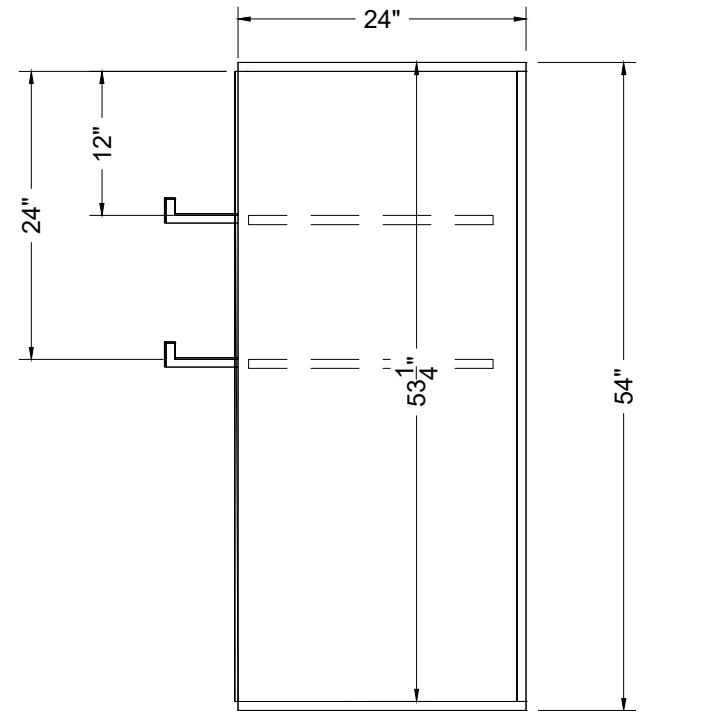
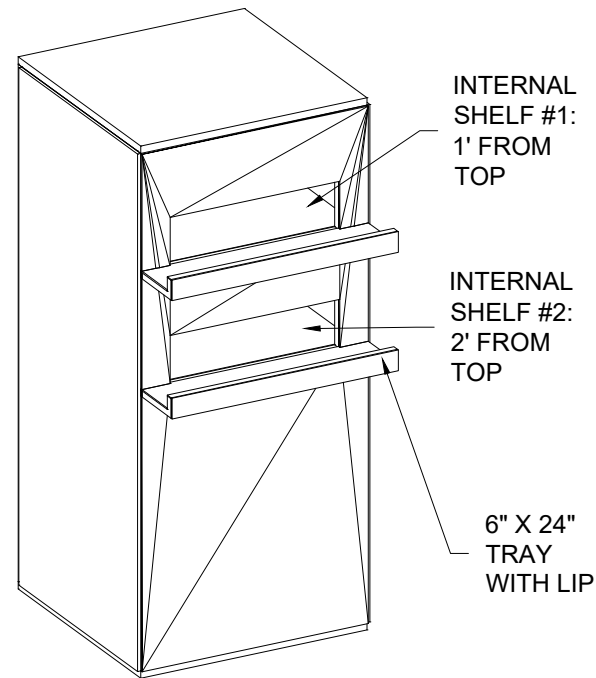


FRONT VIEW

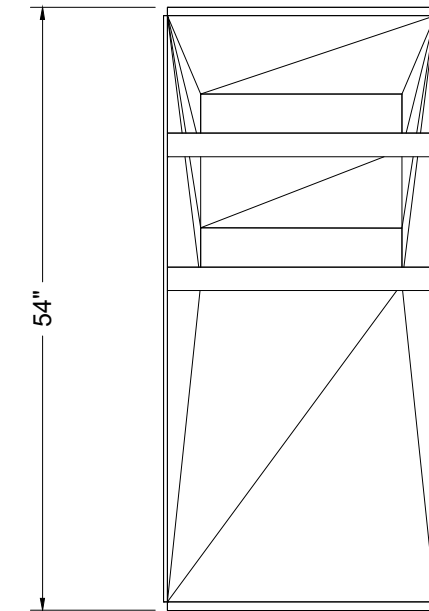


BACK VIEW

FRONT VIEW

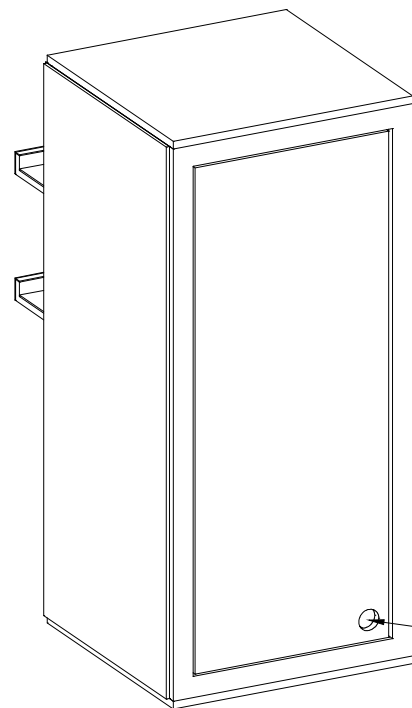


SIDE ELEVATION



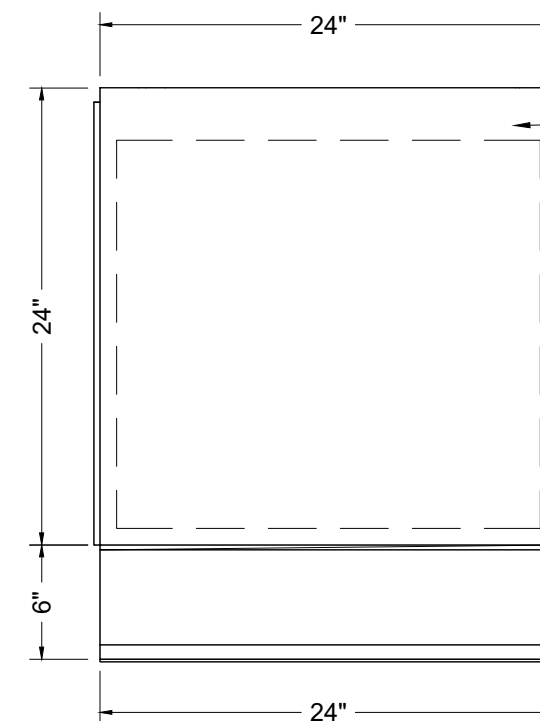
FRONT ELEVATION

BACK VIEW



BACK CAN BE OPEN OR A DOOR FOR PRINTER. WILL NEED A LARGE CORD MOUSE HOLE IF A DOOR

**MATERIAL: REBOARD**  
**COLOR: WHITE**



PLAN VIEW  
Scale: 1/49/256" = 1'-0"

**PRINTER STAND**

I.D.	Qty	Type	Size	Area (SqFt)	Part Number	Description	Material	Color	Notes	Low Inv.	Weight	
	2	UD Part	22-1/4" x 20-3/8"		<<CUSTOM>>	INTERNAL SHELF of SATOPOD PRINTER TWR	REBOARD	White				
	1	UD Part	24" x 24" x 54"		<<CUSTOM>>	SATOPOD PRINTER TOWER	REBOARD	White				
	2	UD Part	24" x 6" x 2"		<<CUSTOM>>	TRAY of SATOPOD PRINTER TWR	PVC	White				
A	2	Graphic Panel	22-1/2" x 52-1/2"		<<CUSTOM>>	GRAPHIC PVC PANEL for PRINTER TWR	PVC	GRAPHIC				
B	2	Overlay Graphic Panel	24" x 5-1/4" x 1/8"		<<CUSTOM>>	PVC - TRAY EXT 1 (for PRINTER TWR)	PVC	GRAPHIC	PLACE ON EXTERIOR TRAY			
C	2	Overlay Graphic Panel	24" x 3/4" x 1/8"		<<CUSTOM>>	PVC - TRAY EXT 2 (for PRINTER TWR)	PVC	GRAPHIC	PLACE ON EXT. TRAY TOP LIP			
D	2	Overlay Graphic Panel	24" x 1/8" x 2-1/8"		<<CUSTOM>>	PVC - TRAY EXT 3 (for PRINTER TWR)	PVC	GRAPHIC	PLACE ON EXT. TRAY FRONT LIP			
E	1	Overlay Graphic Panel	24" x 1/8" x 2-1/8"		<<CUSTOM>>	PVC GRAPHIC FRONT (for PRINTER TWR)	PVC	GRAPHIC	CUSTOM CUT FOR CUBBY HOLES			
				Total Area:	0.00						Total Weight:	0.00