

Exhibitor Branded Graphic Panel

30"W x 39"H (highlighted yellow panel)

Cabinet Storage approx.: 19" x 39" x 39"

Countertop size: 39.25" x 25.25"

How to prepare print ready files:

[Graphic Guidelines](#)

How to submit:

1) Name file as indicated below -

YourCompanyName_Startup_Booth340-XX

EXAMPLE: [Gohealth_Startup_Booth340-99](#)

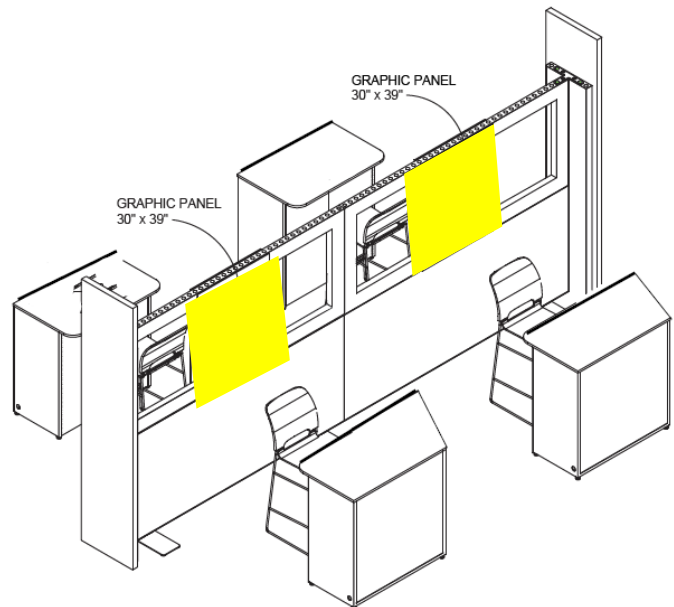
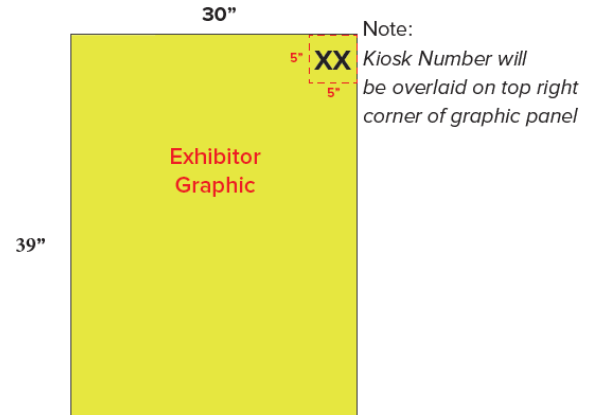
2) **SUBMIT Graphic File [HERE](#)**

DUE JANUARY 22

*Additional late fees may apply after **January 22***

Proof will not be provided.

The graphic file uploaded will be considered production ready for print



[Startup SAMPLE Kiosk layout HIMSS22](#)

