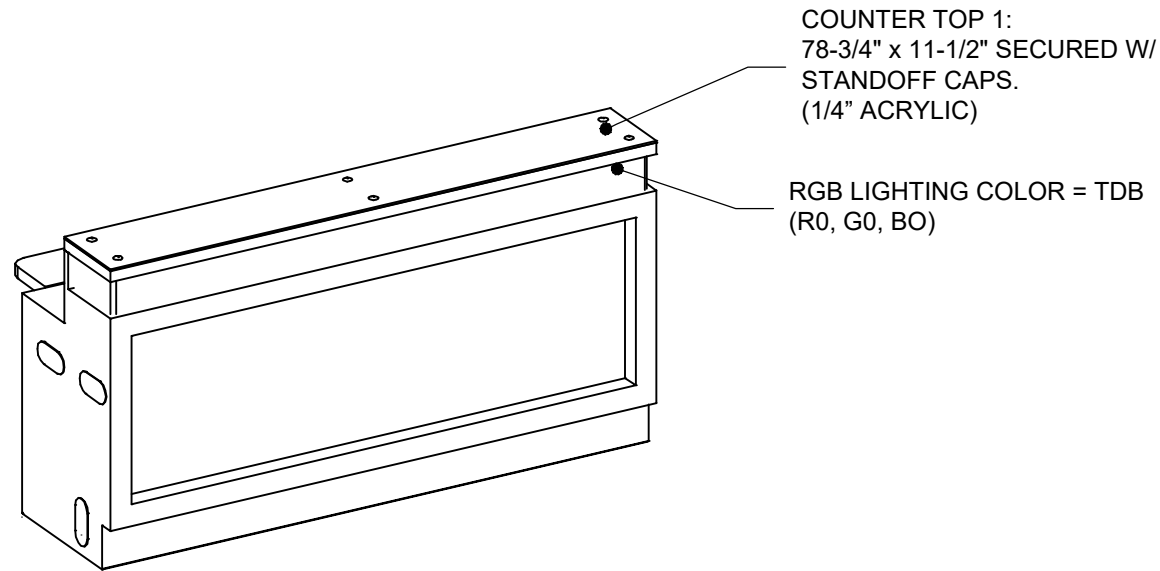
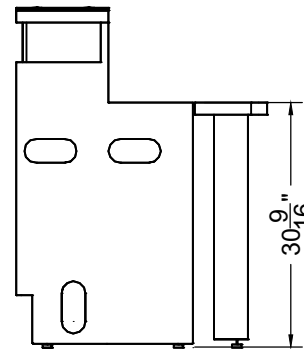


Graphics Size: 79"W x 29"H

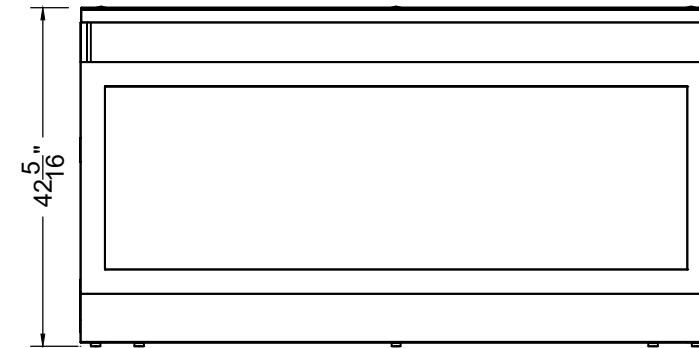
SMARTCOUNTER- BASE COUNTER



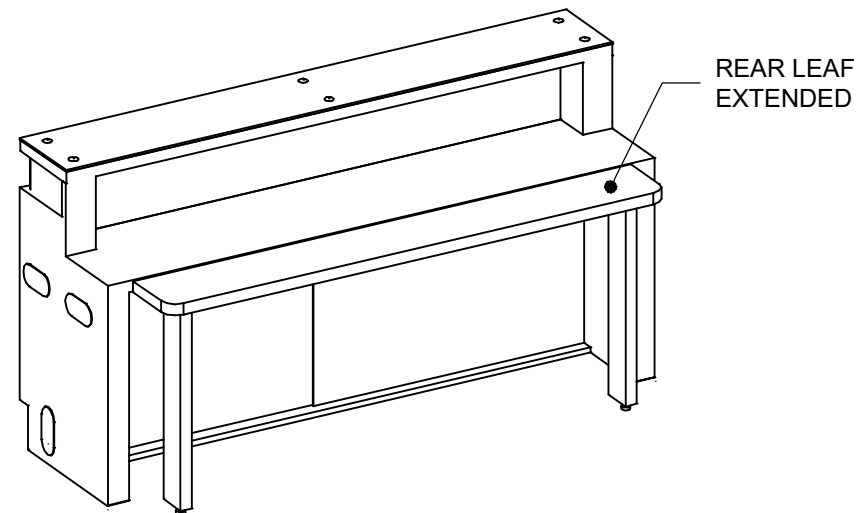
ISOMETRIC VIEW - FRONT VIEW



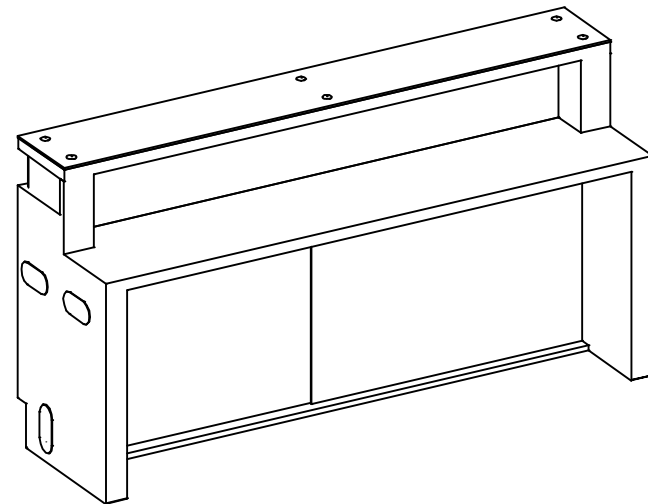
SIDE ELEVATION
Scale: 1/2" = 1'-0"



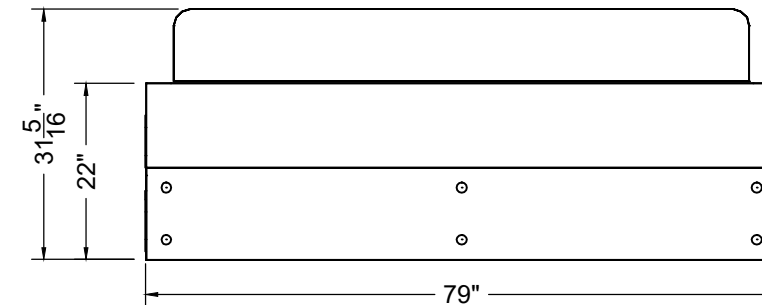
FRONT ELEVATION
Scale: 1/2" = 1'-0"



ISOMETRIC VIEW - BACK VIEW



ISOMETRIC VIEW - BACK VIEW



PLAN VIEW
Scale: 1/2" = 1'-0"

SmartCounter - Base

| I.D. | Qty | Type | Size | Description | Material | Color |
|------|-----|--------------------------|---------------------|----------------------|--------------|----------------|
| | 1 | SmartCounter Counter | 78-3/4" x 31" x 42" | Base Counter Counter | Prebuilt | R0 G255 B255 |
| | 1 | SmartCounter Counter Top | 78-3/4" x 11-1/2" | Std. Counter Top | 1/4" Acrylic | Clear |

LESS THAN 30 DAYS OUT

0000000000001-1001-0

MORE THAN 30 DAYS OUT

0000000000001-1001-1