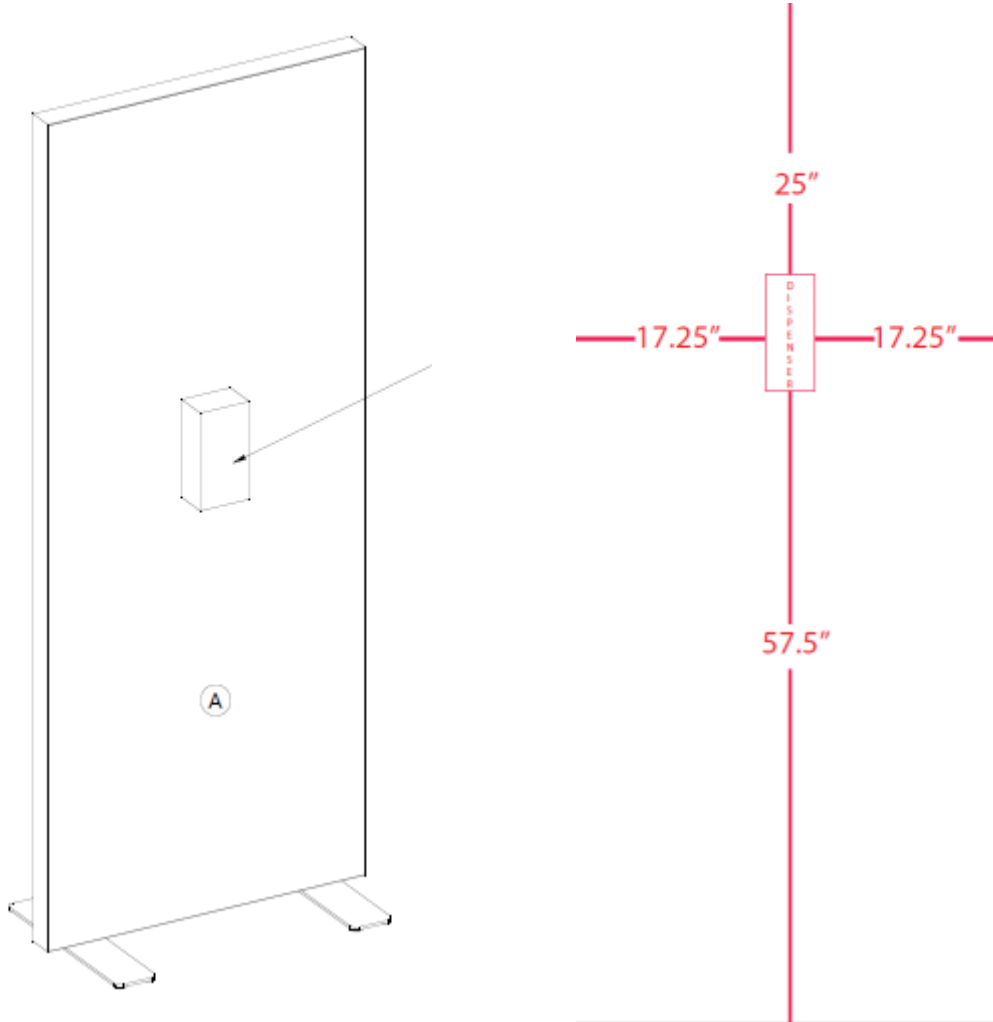


Hand Sanitizer Sponsorship – South Hall

Materials Specifications



Sponsorship includes your custom message on 39"x93" touch-free, double-sided dispensing unit. **Creative file should measure 38 1/2" x 92 1/2". Sponsor should avoid placing graphics in the area marked for the dispensing unit.**

For Graphics Artwork Guidelines, see the PDF linked on our [Sponsorship Production page](#).

Sponsor may provide up to four creative files. If providing multiple creative files, please include placement instructions.

South Hall locations include (3) at Entrances, (3) at the Bistro area, (2) at Escalators.

Submission instructions for creative file will be provided closer to the material deadline.

Please reach out to the RSNA sponsorship team sponsors@rsna.org with any questions.