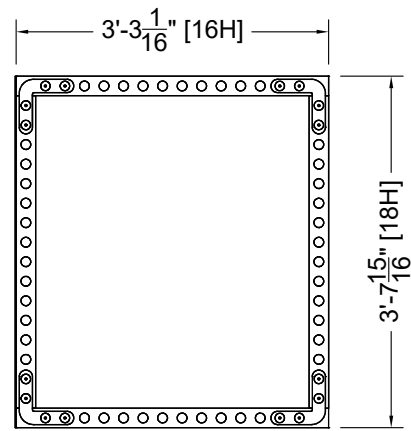
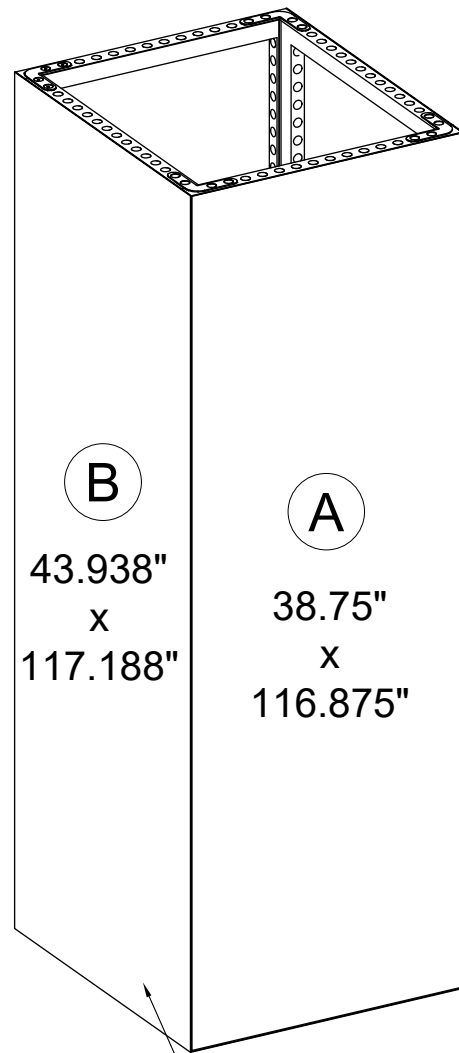


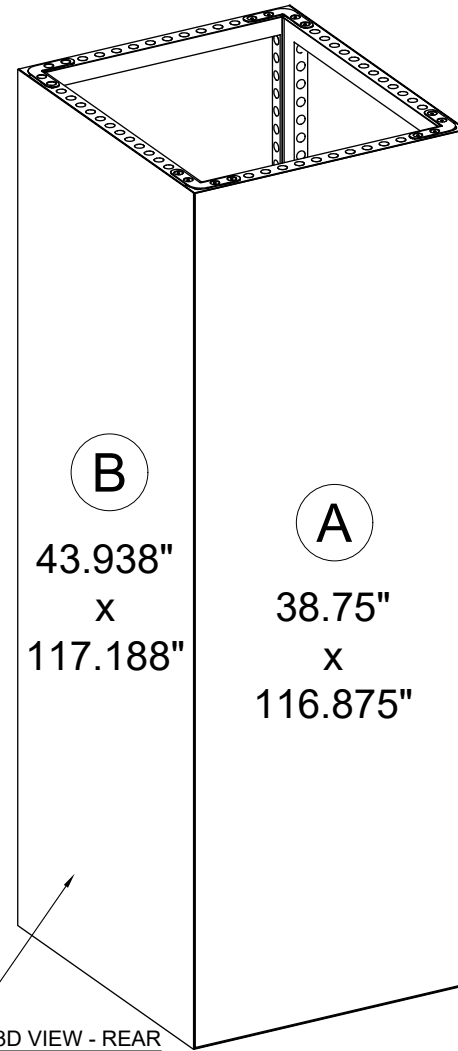
FRONT ELEVATION



PLAN VIEW

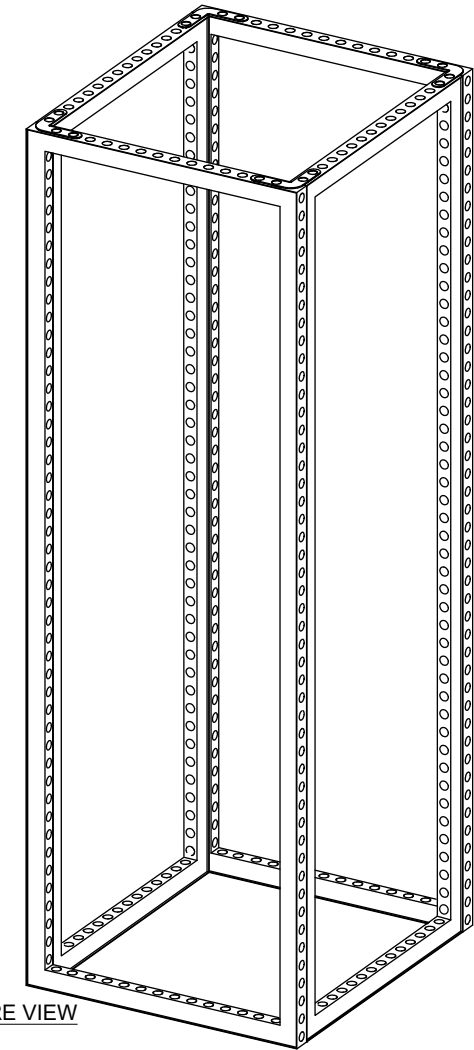


3D VIEW - FRONT



3D VIEW - REAR

FLEX INSERT "C" IS UNDER
OVERLAY PANEL "B"



STRUCTURE VIEW

PULL LIST

I.D.	Qty	Type	Size	Area (SqFt)	Part Number	Description	Material	Color	Notes	Low Inv.	Weight
	4	FLEX Frame-Straight	39-1/16" x 117-3/16" (39.062" x 117.188")		60400044	Straight Frame 16 Hole x 48 Hole	Aluminum	Silver	SF16480001		84.04
P2	8	FLEX Acc-Pin Plate	Standard		60440060	4 Pin 90	Steel	Chrome	CO901280341C		9.44
C10	16	FLEX Part-Connector	Standard		60440047	Manual M8 Pin Connector	Aluminum	Silver	CO90120480066MKII		3.52
C	2	Flex Insert	38-3/4" x 116-7/8" (38.75" x 116.875")	31.5	60160052	Flex Insert [16x48 Hole]	PVC 3MM	White	w/ Female Velcro		21.02
A	2	Flex Graphic Insert	38-3/4" x 116-7/8" (38.75" x 116.875")	31.5	<<CUSTOM>>	Flex Insert - Graphic [16x48 Hole]	PVC	Graphic	w/ Female Velcro		
B	2	Overlay Graphic Panel	43-15/16" x 117-3/16" (43.938" x 117.188")	35.8	<<CUSTOM>>	Overlay Graphic Panel	PVC	Graphic			
			Total Area:	98.80						Total Weight:	118.02