

APPROVED FOR PRODUCTION BY:
ANDY SIMMONS at 10:40 am, Sep 15, 2023

TRIANGULAR LED ENTRANCE
TOWERS
EXHIBIT NAME / UNIT NAME

WEST HALL ENTRANCE
EXHIBIT # / UNIT LOCATION

Am Acdmy of Ophthalmology
Annual Mtg
EVENT NAME

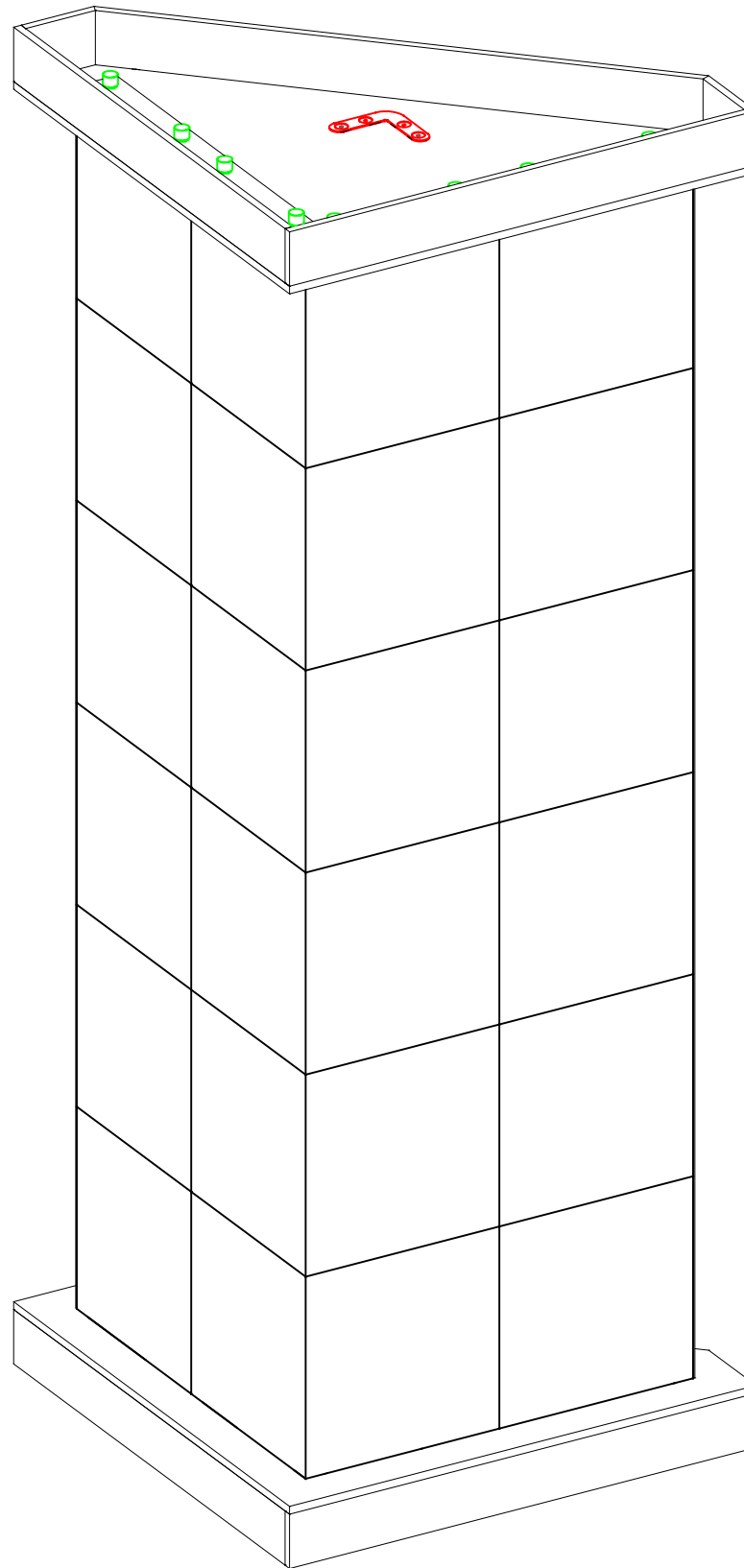
MOSCONE CENTER
San Francisco, CA | 11/04/23-11/06/23
EVENT FACILITY / DATES

11285606
PASSPORT LINE ITEM #

WORK TICKET #

520621
JOB #

BASE & HEADER TO BE FINISHED:
BLACK FORMICA 909-58



3D VIEW - 1

LESS THAN 30 DAYS OUT



MORE THAN 30 DAYS OUT



Business Development Mgr:
Bill Bennett

Client Solutions Mgr:
Iris Carbonell

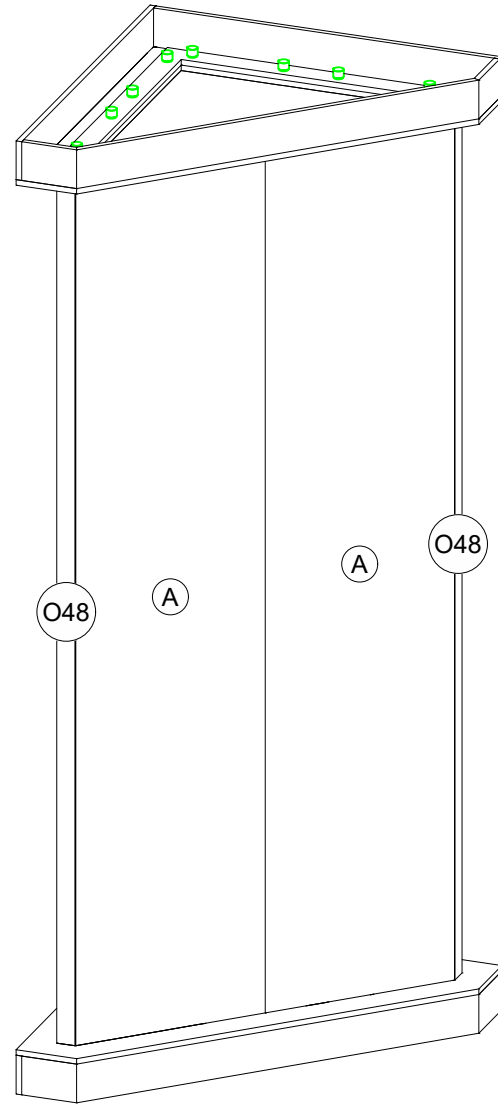
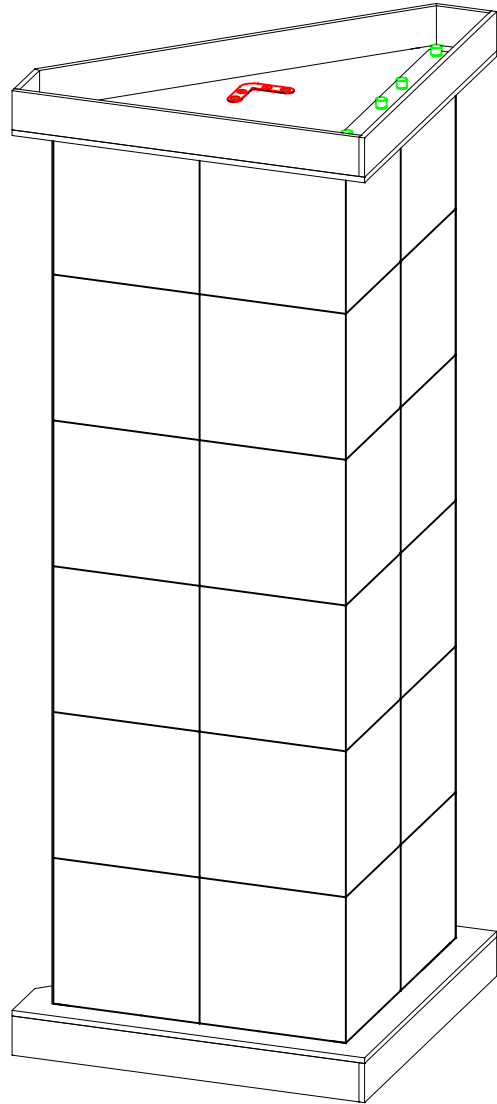
Detailer:
Jonathan Hamilton

Last Saved:
9/14/2023 10:47 AM

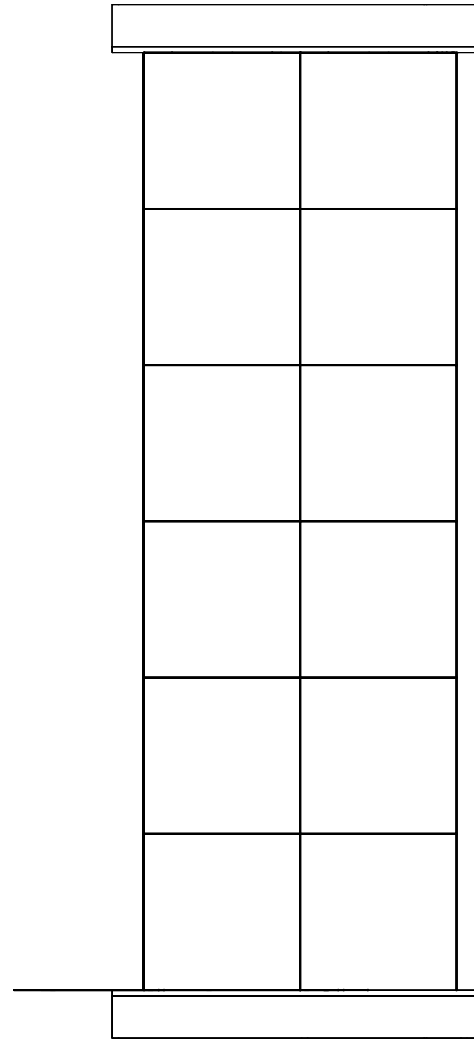
Revision:
A

These original concepts and designs are sole property of FREEMAN. Any reproduction or use is prohibited without written consent of FREEMAN. © Copyright 2023 FREEMAN

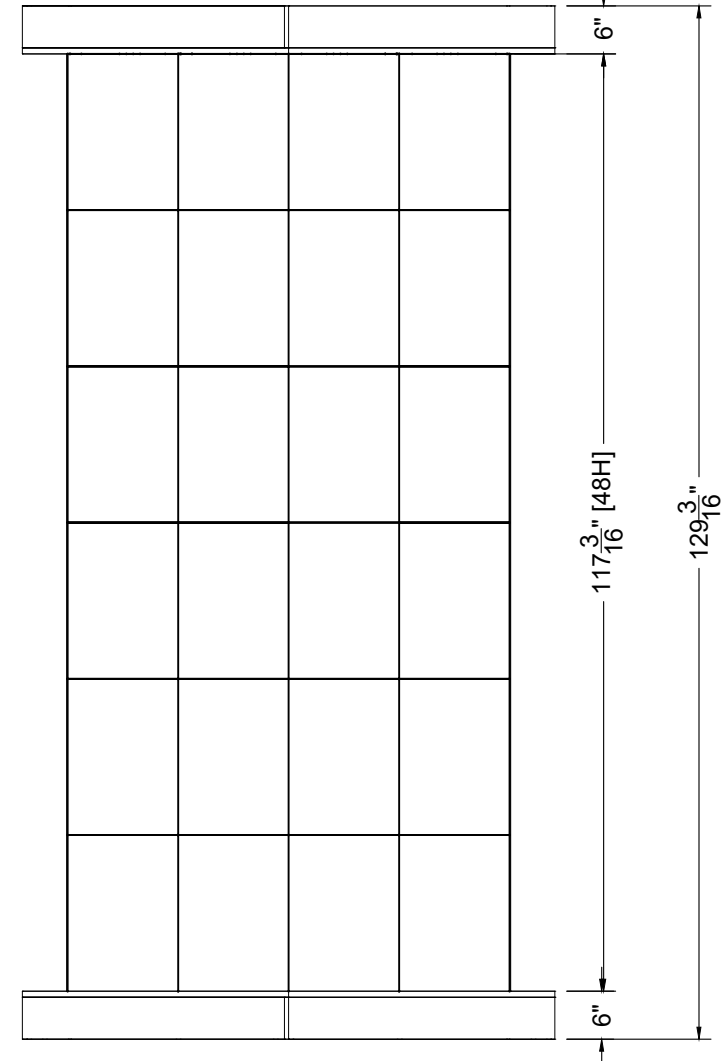
Vault File Name: AAO23 TRIANGULAR LED ENTRANCE TOWER L11285606 DET.dwg



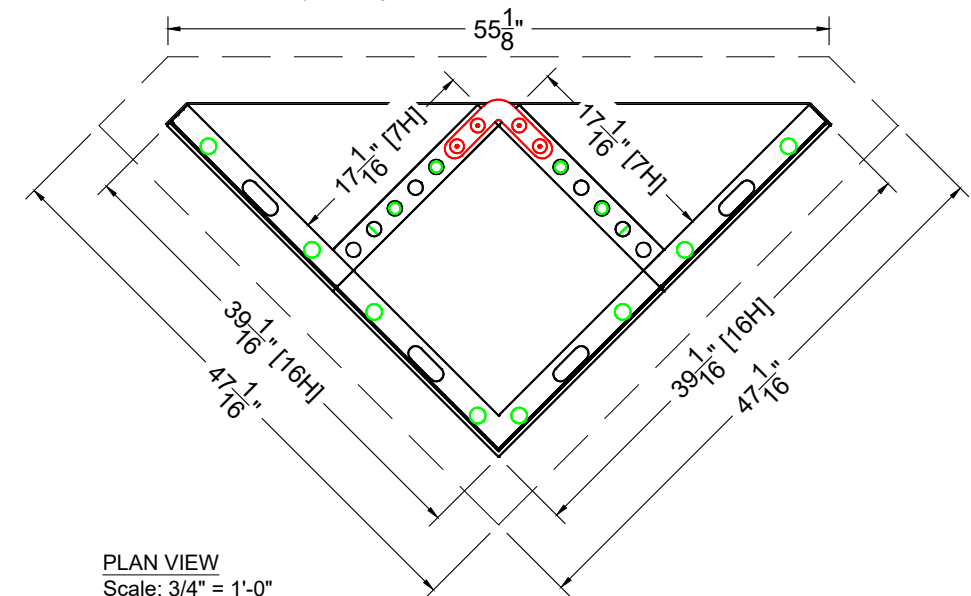
BACK VIEW



SIDE ELEVATION
Scale: 1/2" = 1'-0"



FRONT ELEVATION
Scale: 1/2" = 1'-0"



PLAN VIEW
Scale: 3/4" = 1'-0"

FRONT VIEW

QTY: 1

PIECE COUNT FOR 1 UNIT

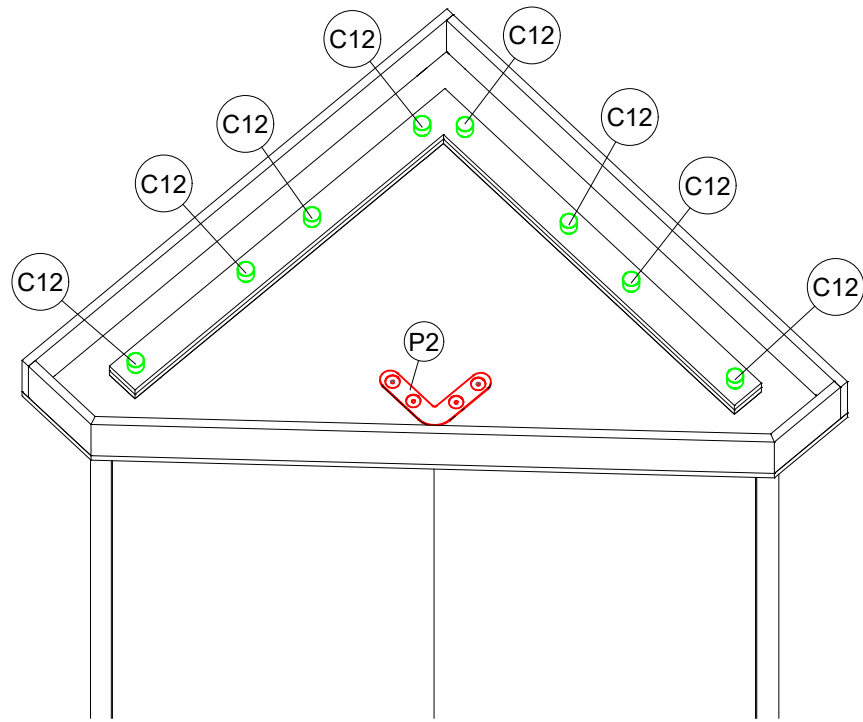
1 TOTAL UNIT NEEDED

LESS THAN 30 DAYS OUT

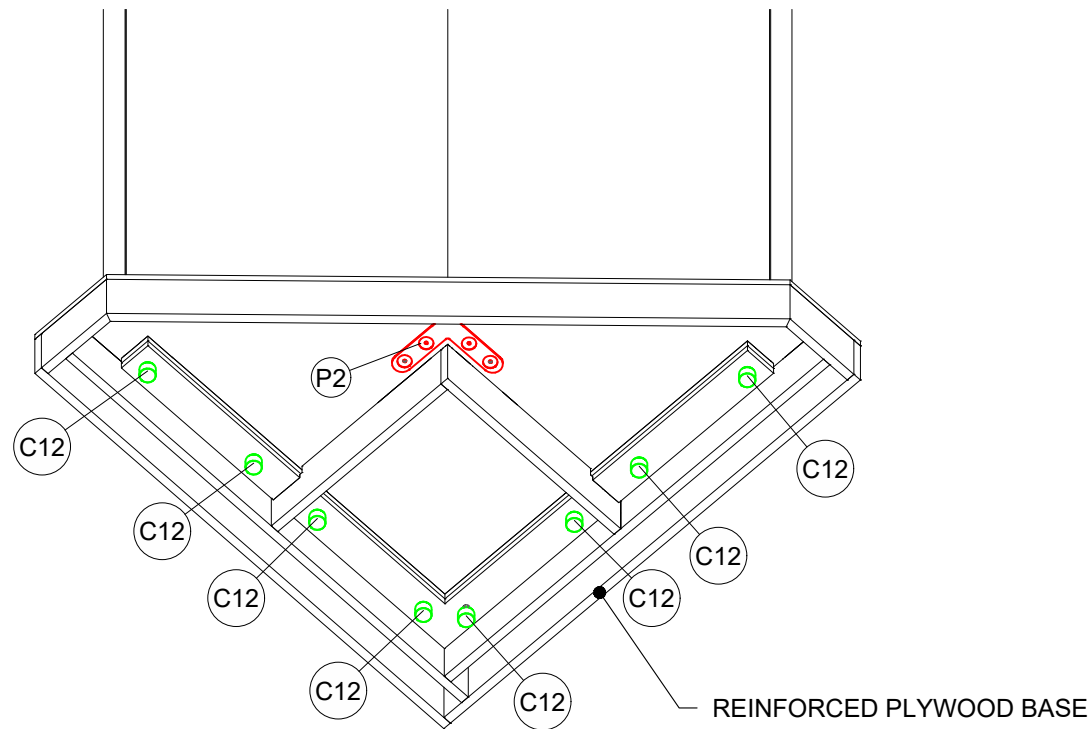
* 0 0 5 2 0 6 2 1 0 1 . 1 0 2 9 . 0 *

MORE THAN 30 DAYS OUT

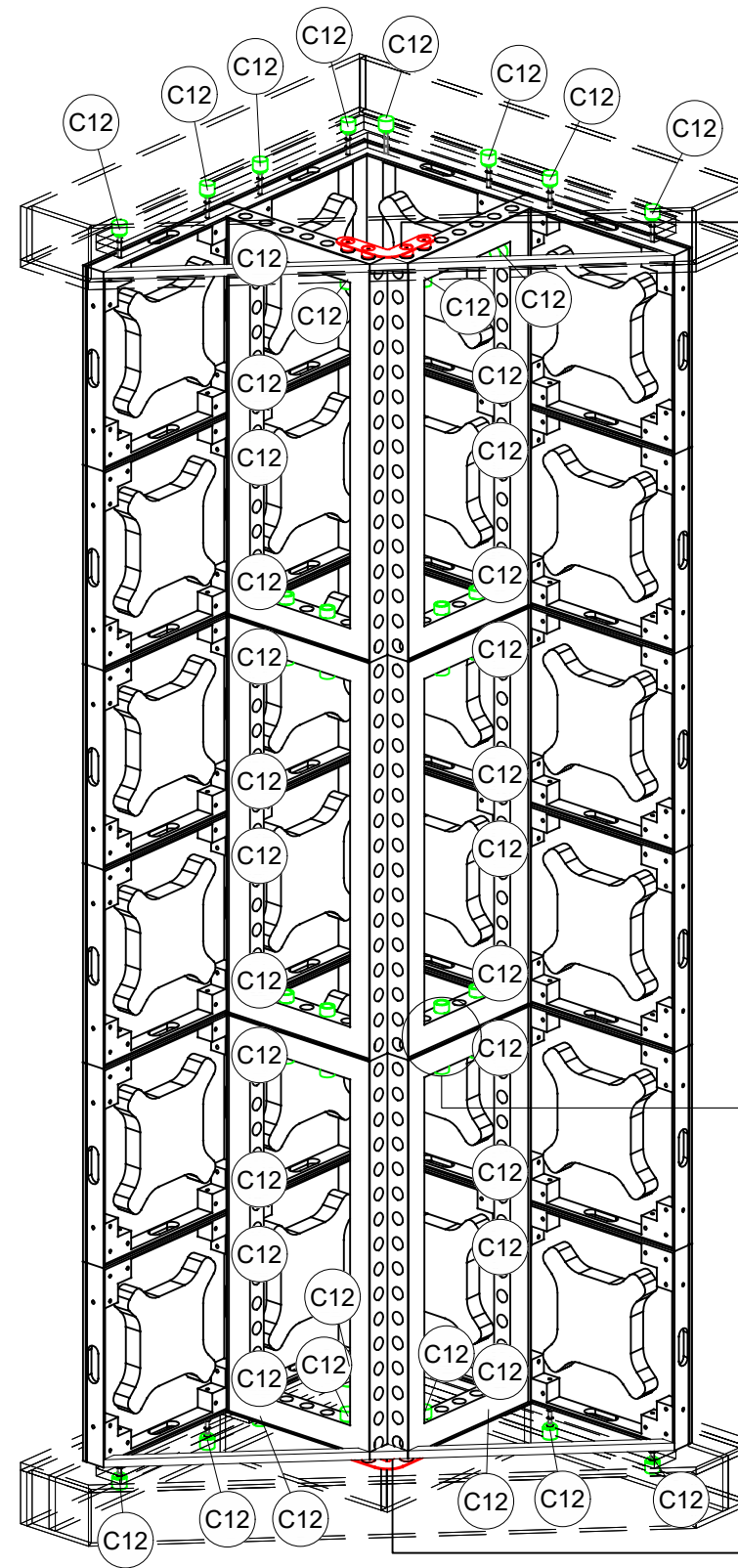
* 0 0 5 2 0 6 2 1 0 1 . 1 0 2 9 . 1 *



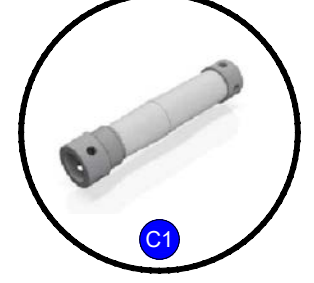
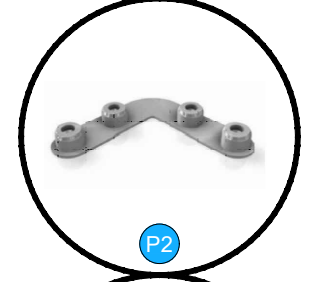
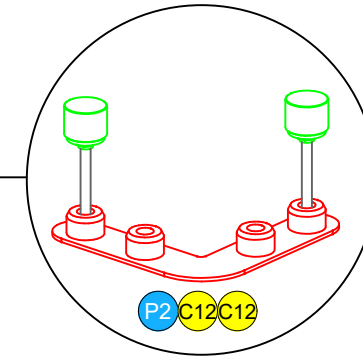
TOP STRUCTURE VIEW



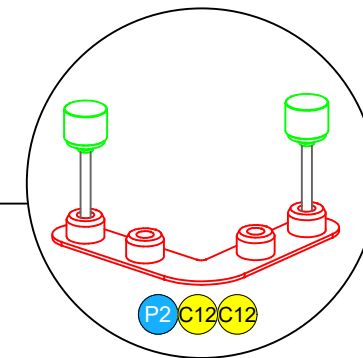
BASE STRUCTURE VIEW



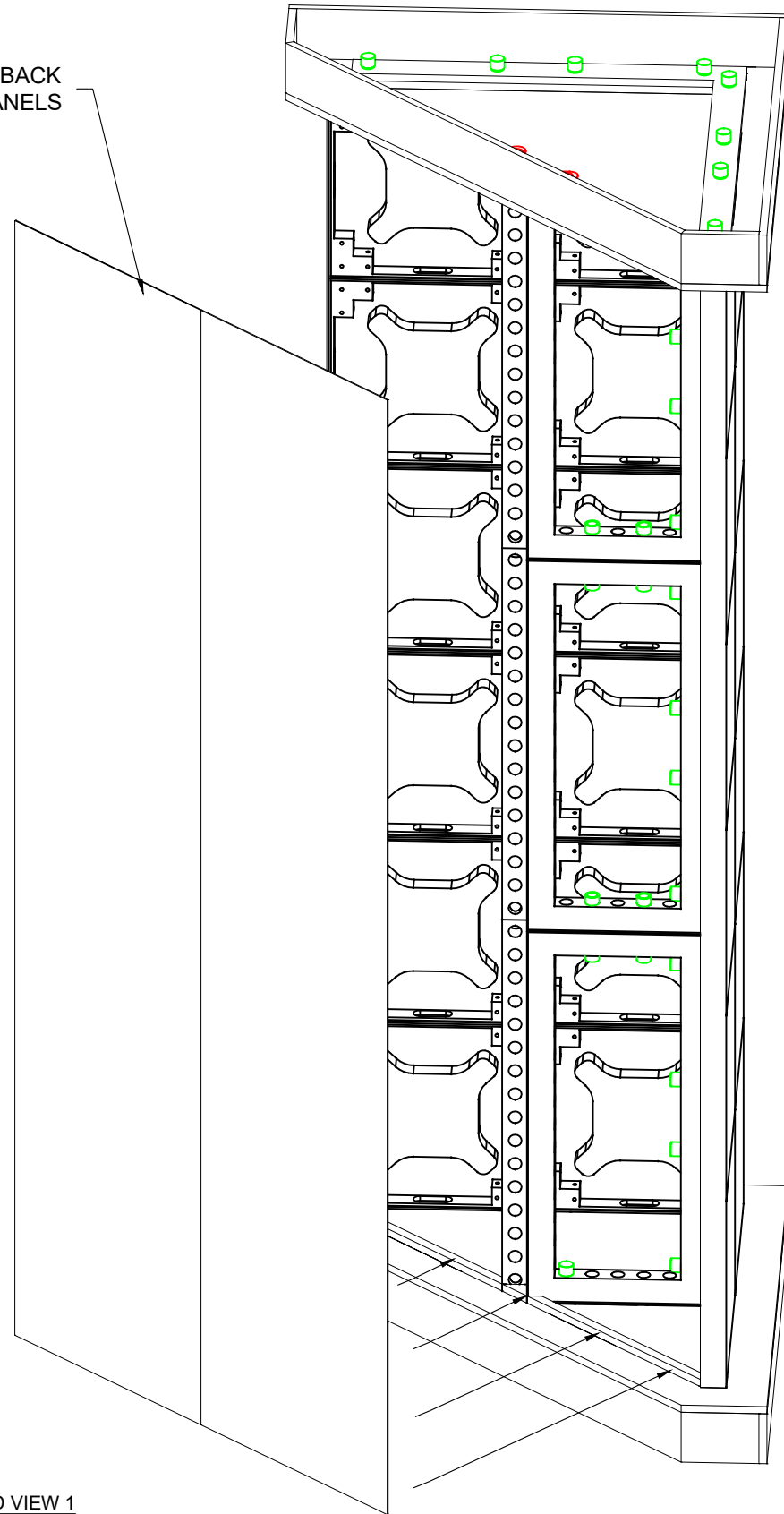
STRUCTURE VIEW



C1 TYP.



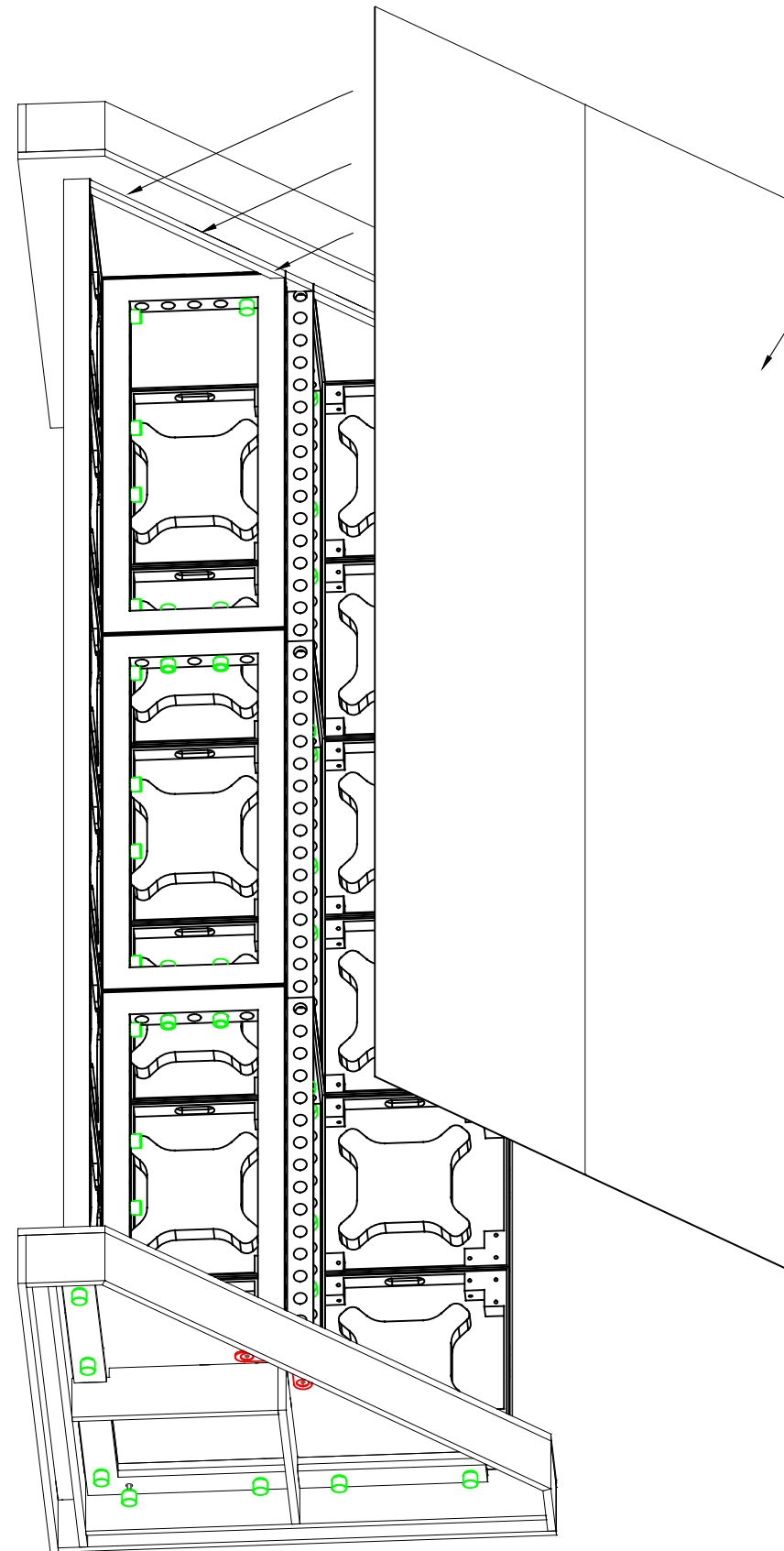
BLACK PVC BACK
COVER PANELS



3D VIEW 1

ATTACH PVC BACK PANELS TO 3/4"
PLY STRIPS ON BASE AND HEADER
AS SHOWN

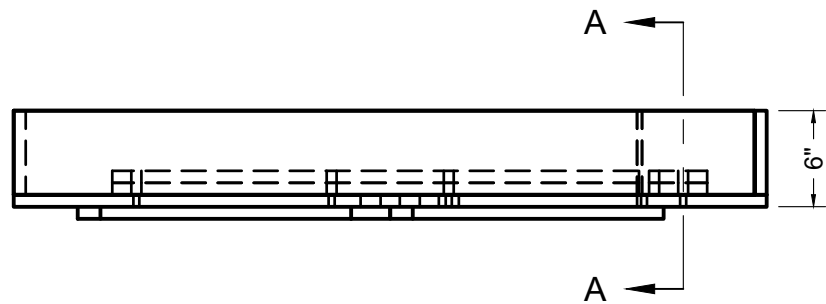
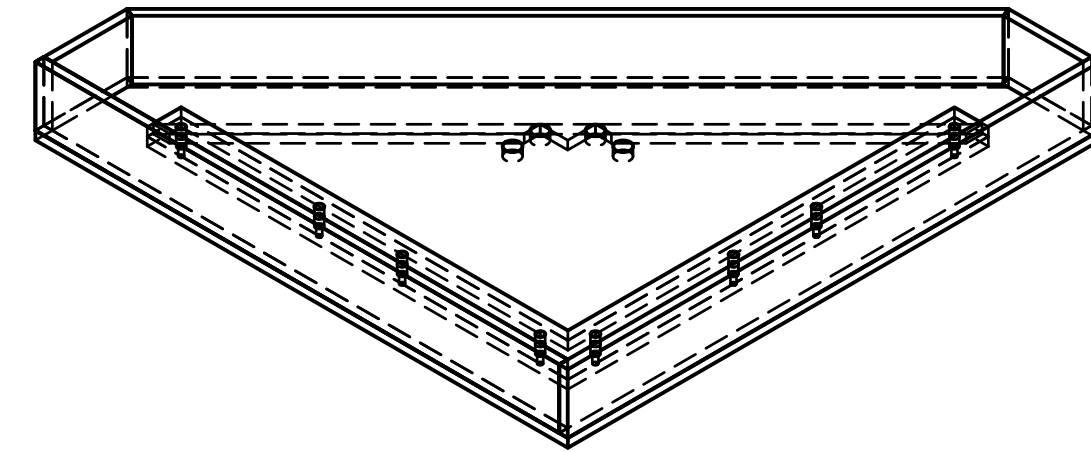
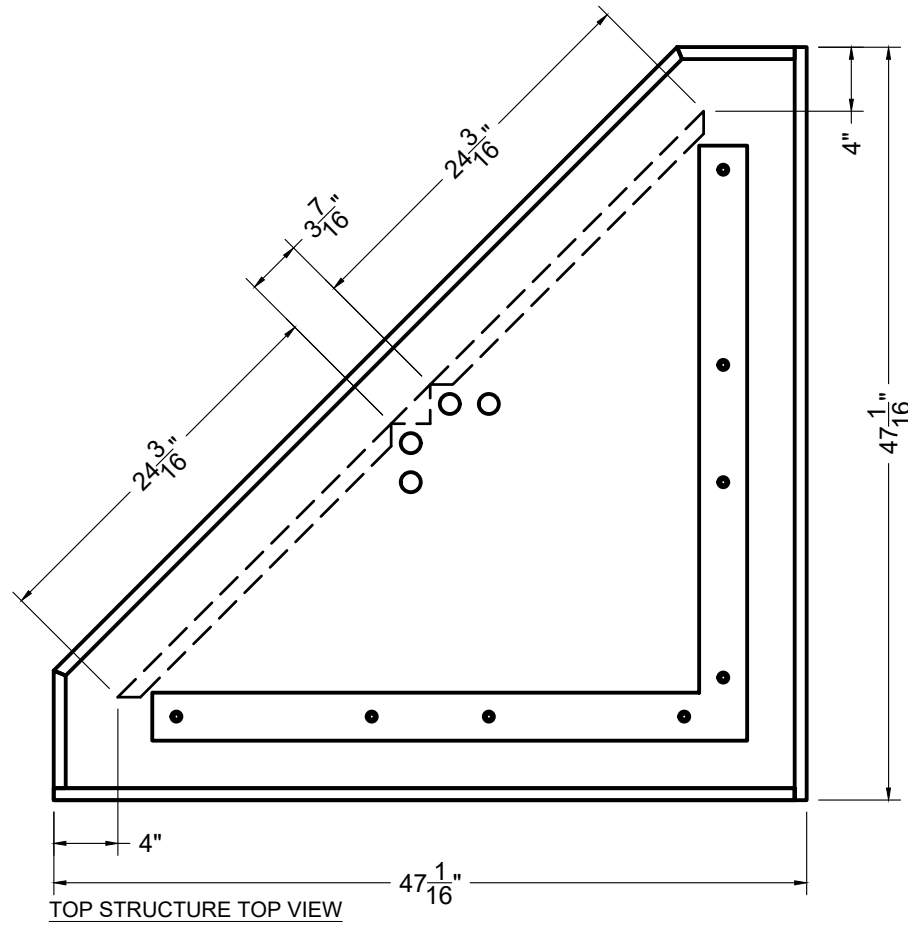
BLACK PVC BACK
COVER PANELS



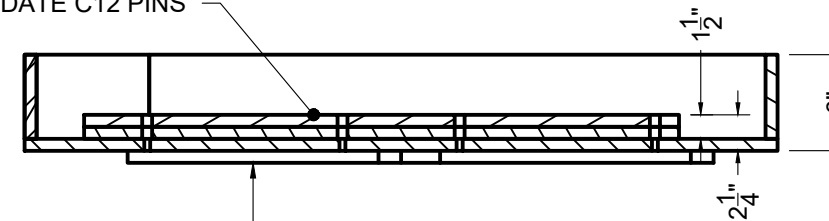
3D VIEW 2

QTY: 1

BASE & HEADER TO BE FINISHED:
BLACK FORMICA 909-58



LAYERED PLYWOOD TO ACCOMMODATE C12 PINS

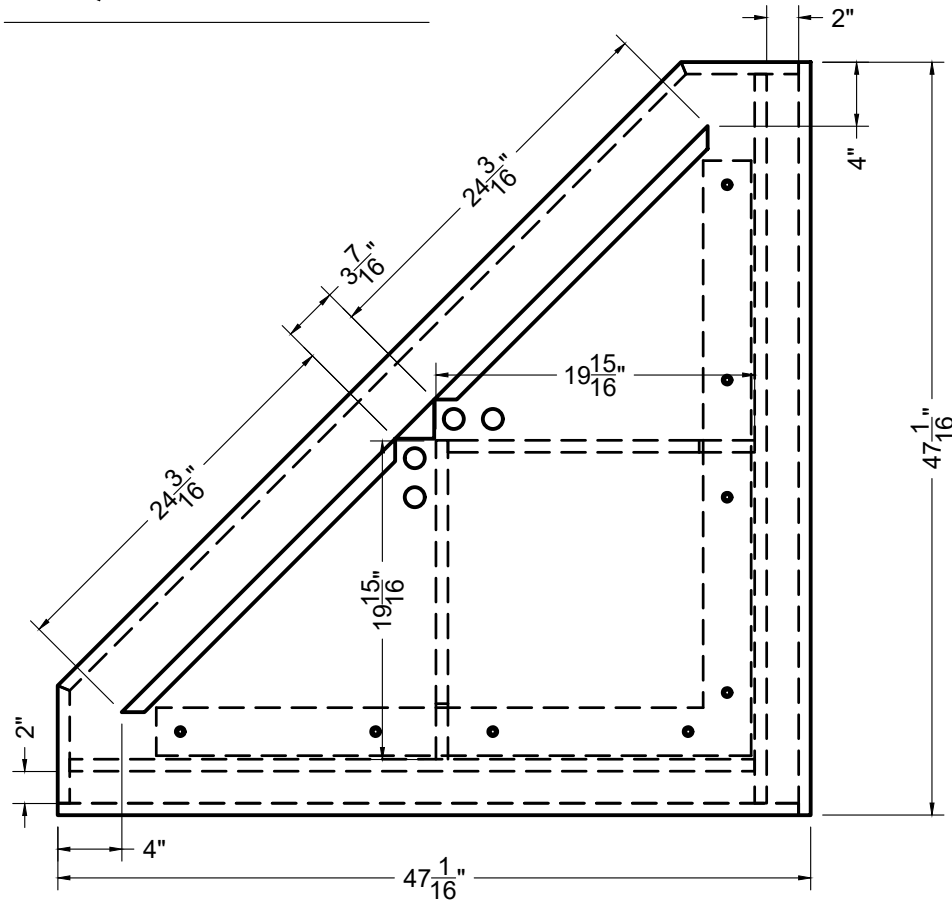


3/4" PLY STRIPS ON TOP ATTACH PVC
BACK COVERS ON VIA VELCRO

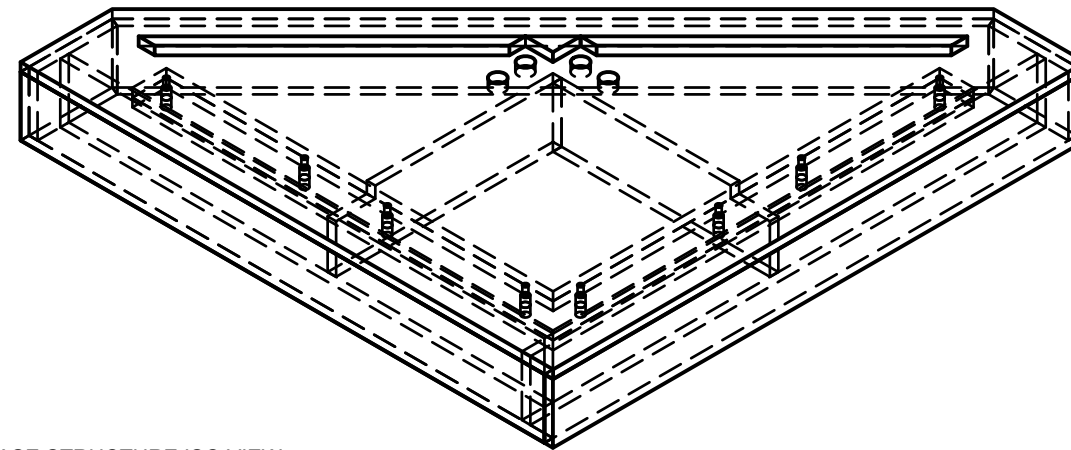
SCALE 1" = 1'-0"

BASE & HEADER TO BE FINISHED:
BLACK FORMICA 909-58

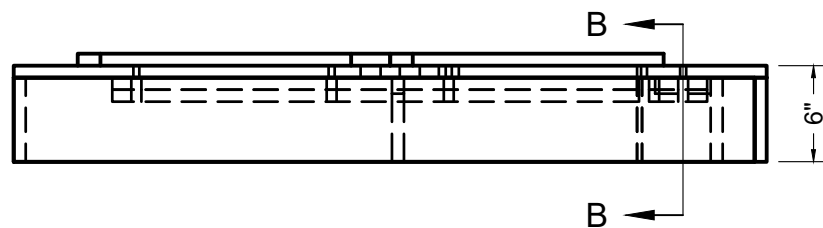
QTY: 1



BASE STRUCTURE TOP VIEW



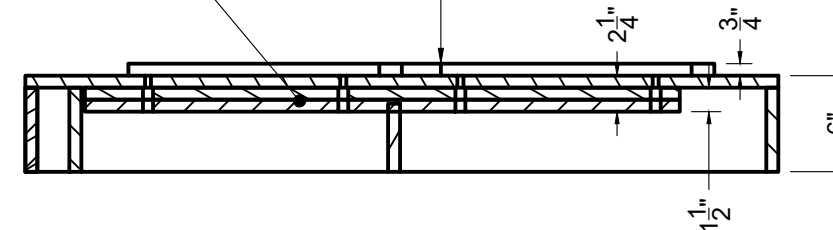
BASE STRUCTURE ISO VIEW



BASE STRUCTURE VIEW

LAYERED PLYWOOD TO ACCOMMODATE C12 PINS

3/4" PLY STRIPS ON TOP TO ATTACH PVC BACK
COVER ON VIA VELCRO



SECTION B-B
SCALE 1" = 1'-0"

ENTRANCE TOWER

I.D.	Qty	Type	Size	Area (SqFt)	Part Number	Description	Material	Color	Notes	Low Inv.	Weight
	24	Accessories	Standard		<<CUSTOM>>	ITUI - LEDSkin	Magnesium	Black			
	12	FLEX Frame-LED	19-1/2" x 19-1/2" (19.5" x 19.5")		<<CUSTOM>>	Corner LED Skin	Magnesium	Black			
	1	FLEX Frame-Straight	17-1/16" x 19-1/2" (17.062" x 19.500")		60400019	Straight Frame 07 Hole x 08 Hole	Aluminum	Silver	SF07080001		4.93
	6	FLEX Frame-Straight	17-1/16" x 39-1/16" (17.062" x 39.062")		60400020	STRAIGHT FRAME 07 HOLE X 16 HOLE	Aluminum	Silver	SF07160001		45.30
	1	FLEX Frame-Straight	17-1/16" x 95-3/16" (17.062" x 95.188")		60400057	Straight Frame 07 Hole x 39 Hole	Aluminum	Silver	SF07390001		15.10
	1	FLEX Frame-Straight	19-1/2" x 117-3/16" (19.5" x 117.2")		60400029	Straight Frame 08 Hole x 48 Hole	Aluminum	Silver	SF08480001		18.39
C20	8	FLEX Acc-Pin Plate	Standard		60440055	STAINLESS STEEL 90DEG CONNECTOR BASE	Steel	Stainless	CO901280222INOX		7.12
P2	4	FLEX Acc-Pin Plate	Standard		60440060	4 PIN 90DEG CONNECTOR BASE	Steel	Chrome	CO901280341C		4.72
C1	8	FLEX Part-Connector	6-3/4" x 1-5/16" x 1-5/16"		60440043	MANUAL CLAMP CONNECTOR	Aluminum	Silver	CO90120250132POM		2.96
C10	16	FLEX Part-Connector	Standard		60440047	MANUAL M8 PIN CONNECTOR	Aluminum	Silver	CO90120480066MKII		3.52
C12	88	FLEX Part-Connector	Standard		60440048	MANUAL M8 PIN CONNECTOR FOR LEDSKIN	Aluminum	Silver	CO90120480100MKII		21.12
A	2	Overlay Panel	25-15/16" x 117-3/16"	21.1	<<CUSTOM>>	OVERLAY PANEL	PVC 3MM	Black			
O48	2	Overlay Panel	2-7/16" x 117-3/16"	2.0	<<CUSTOM>>	PVC-END CAP (48 HOLE)	PVC 3MM	Black			
				Total Area:	23.10					Total Weight:	123.16

LESS THAN 30 DAYS OUT



* 0 0 5 2 0 6 2 1 0 1 . 1 0 2 9 . 0 *

MORE THAN 30 DAYS OUT



* 0 0 5 2 0 6 2 1 0 1 . 1 0 2 9 . 1 *

ORDERED BY:

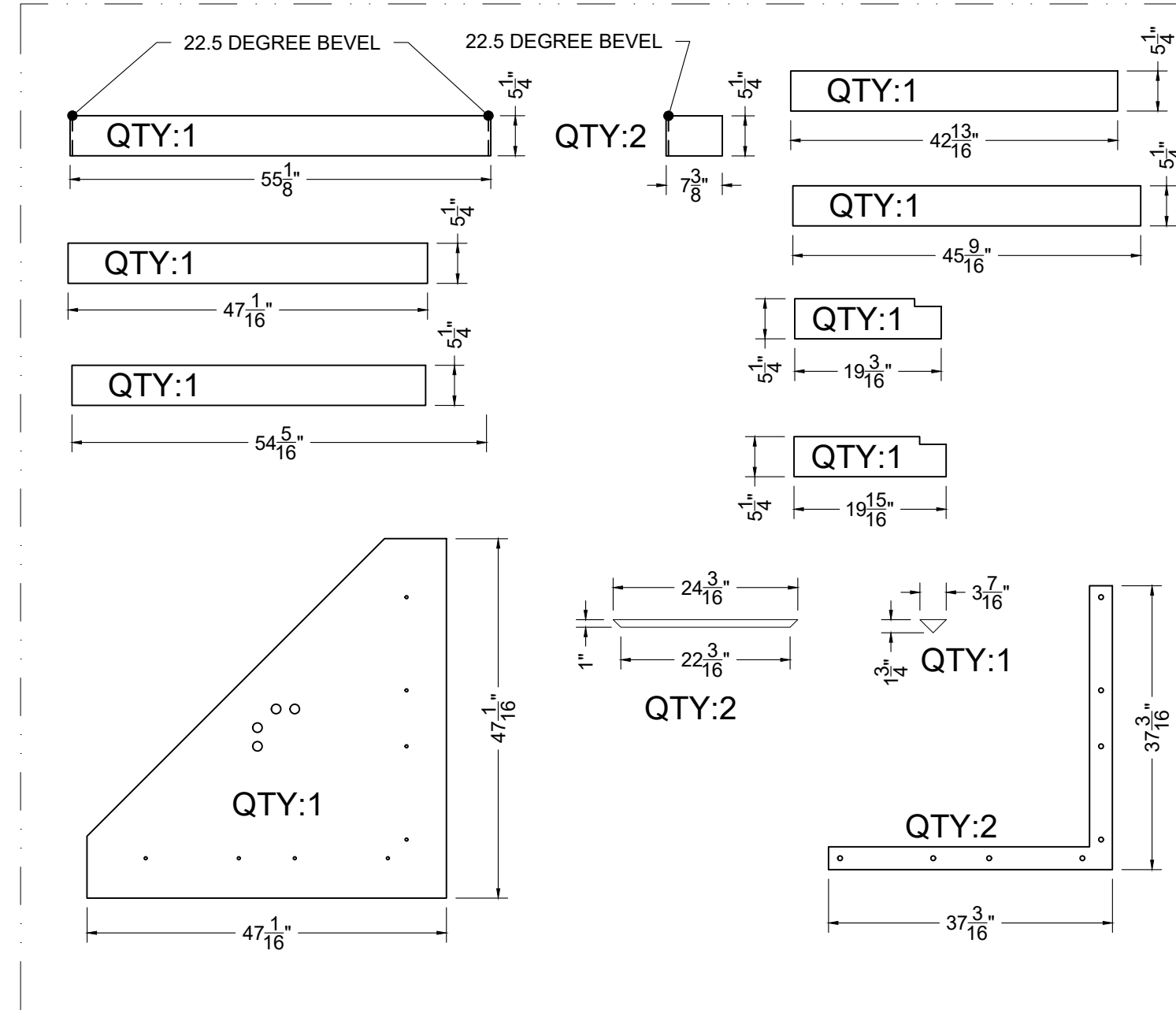
ORDER DATE:

DUE DATE:

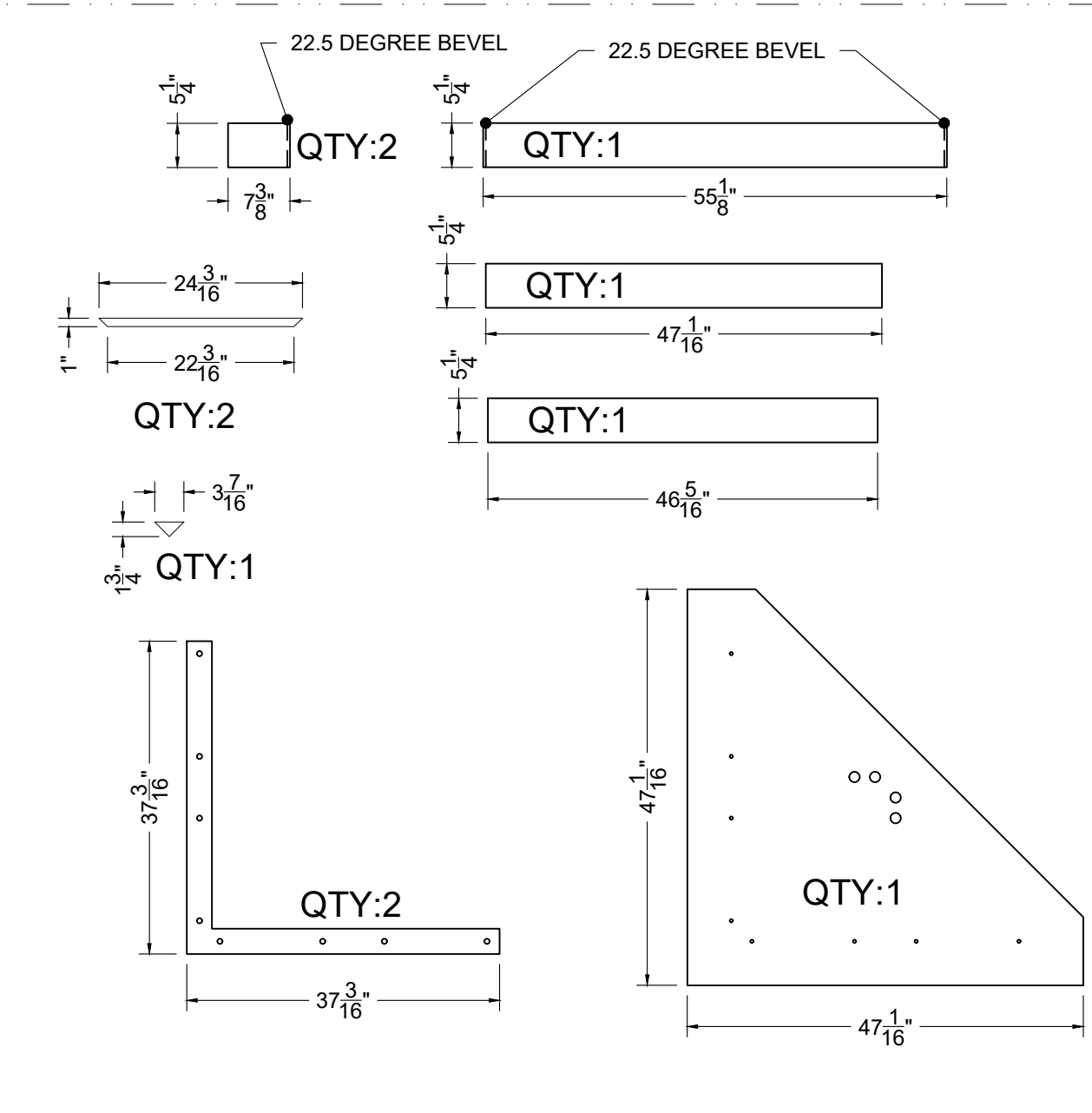
8

11285606

CNC PATH BASE



CNC PATH TOP



BASE & HEADER TO BE FINISHED:
BLACK FORMICA 909-58