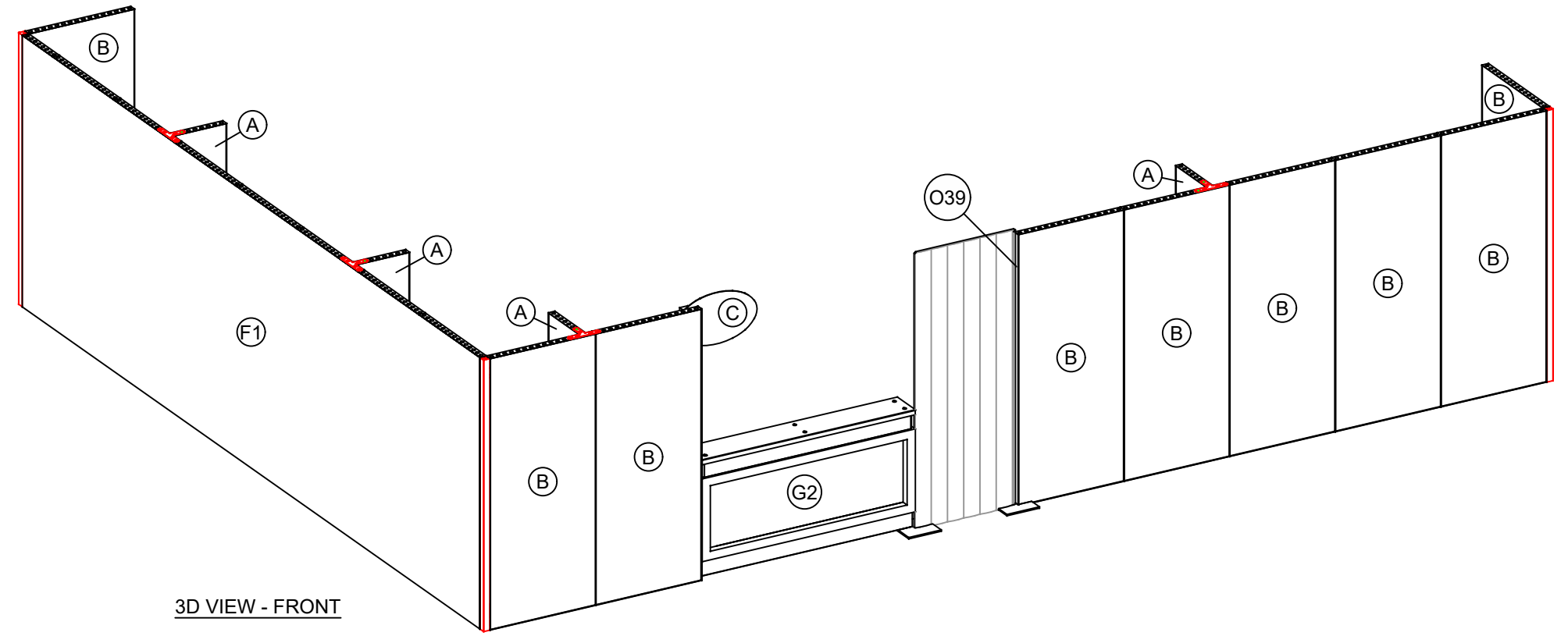


3D VIEW - REAR



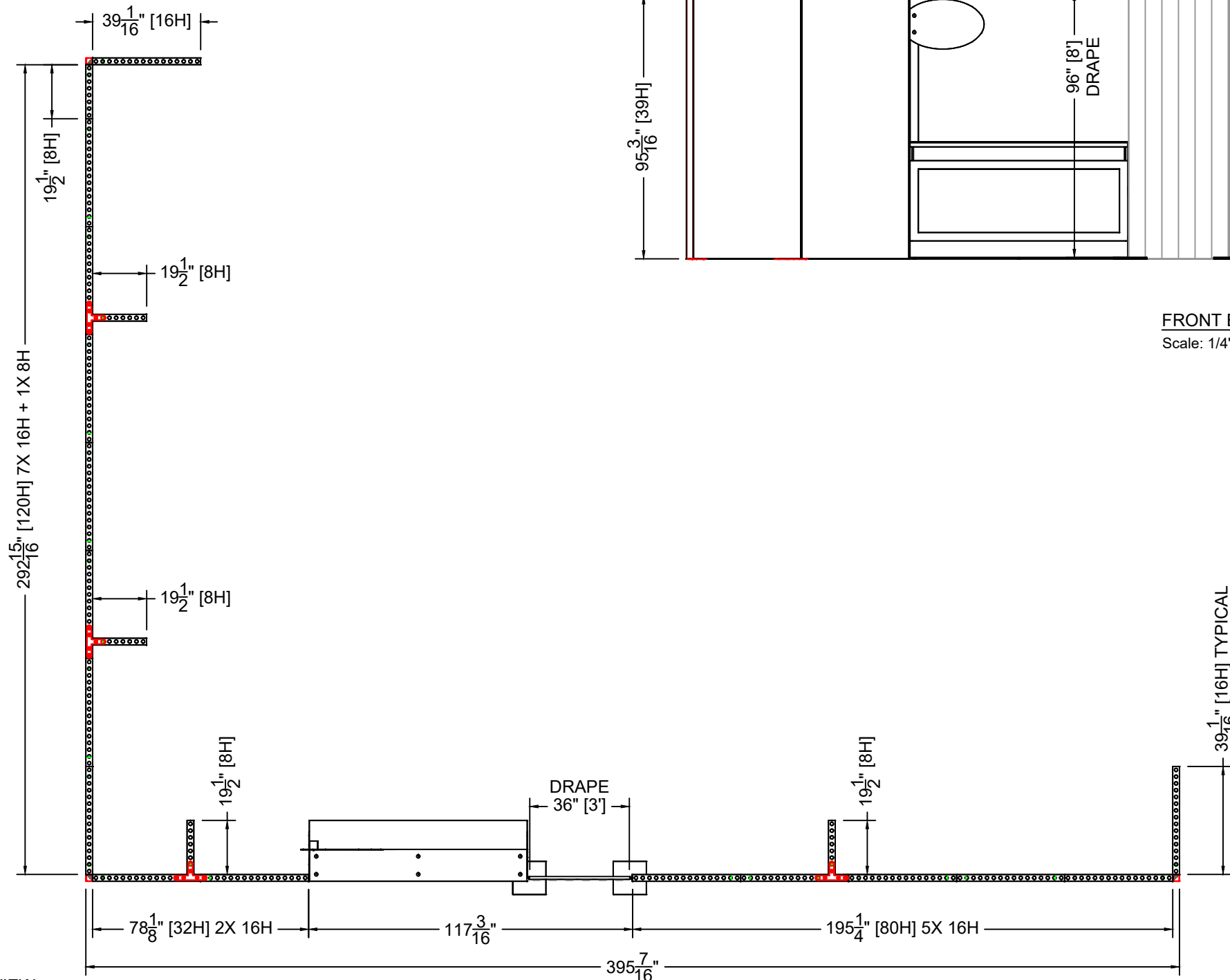
3D VIEW - FRONT

LESS THAN 30 DAYS OUT

* 0 0 5 0 8 9 7 3 0 1 . 1 0 1 4 . 0 *

MORE THAN 30 DAYS OUT

* 0 0 5 0 8 9 7 3 0 1 . 1 0 1 4 . 1 *



FRONT ELEVATION
Scale: 1/4" = 1'-0"

PLAN VIEW
Scale: 1/4" = 1'-0"

PULL LIST

I.D.	Qty	Type	Size	Area (SqFt)	Part Number	Description	Material	Color	Notes	Low Inv.
	1	SmartCounter Counter Top	78-3/4" x 11-1/2"			Standard Countertop	Acrylic 1/4	Clear		
	5	FLEX Frame-Straight	19-1/2" x 95-3/16"		60400028	Straight Frame 08 Hole x 39 Hole	Aluminum	Silver	SF08390001	
	16	FLEX Frame-Straight	39-1/16" x 95-3/16"		60400043	Straight Frame 16 Hole x 39 Hole	Aluminum	Silver	SF16390001	
	3	FLEX Acc-Corner Post	95-3/16"		60440011	Square corner profile w/ 2 sides x 39 hole	Steel	Gray	CO6122976S02	
P3	8	FLEX Acc-Pin Plate	Standard		60440068	6 Pin T	Steel	Chrome	CO901280364C	
C1	24	FLEX Part-Connector	Standard		60440043	Manual Clamp Connector	Aluminum	Silver	CO90120250132POM	
C10	24	FLEX Part-Connector	Standard		60440047	Manual M8 Pin Connector	Aluminum	Silver	CO90120480066MKII	
C12	12	FLEX Part-Connector	Standard		60440048	Manual M8 pin connector for LEDSkin	Aluminum	Silver	CO90120480100MKII	
A	9	Flex Insert	19-1/4" x 94-15/16"		60160035	Flex Insert [8x39 Hole]	PVC 3MM	White	w/ Female Velcro	
B	25	Flex Insert	38-3/4" x 94-15/16"		60160051	Flex Insert [16x39 Hole]	PVC 3MM	White	w/ Female Velcro	
O39	2	Overlay Panel	2-7/16" x 95-3/16"	1.6		Cover Profile 39 Hole	PVC 3MM	White		
	1	SmartCounter Counter	78-3/4" x 31" x 42"		62050100	Base SmartCounter	See Detail	R(0) G(0) B(0)		
F1	1	FLEX Fabric Graphic	292-15/16" x 95-3/16"	193.6		292-15/16" x 95-3/16" FLEX Fabric Graphic	Fabric	Graphic		
C	1	Graphic Panel	29-15/16" x 18"	3.7		Graphic Panel	Ultraboard	Graphic		
G2	1	SmartCounter Graphic	72-11/16" x 23-3/16"	11.7		Inset Panel	PVC 3MM	Graphic		
	1	Drape	30" x 96"			12' x 3' Drape Panel	Banjo	Black		
	1	Drape	36"			Horizontal Drape Bar	Steel	Silver		
	2	Drape	96"			8' Drape Post	Steel	Silver		