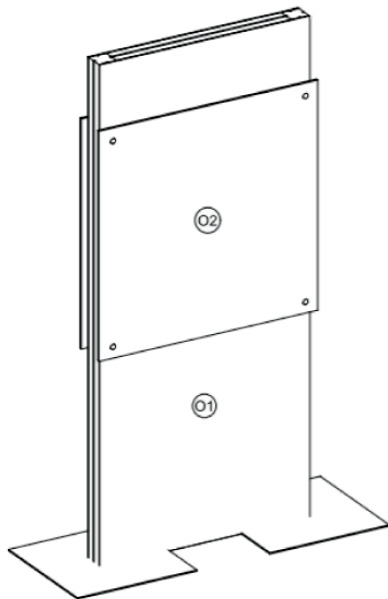
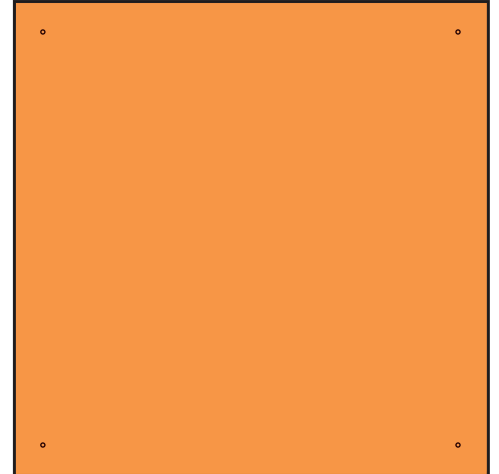


MATERIAL SPECIFICATIONS

CHARGING STATIONS



- .375" Eyeholes for bumpouts
Placement of the eyeholese are 2" down and 2" in from the sides



Promote your company with branding on the popular Charging Stations as meeting attendees charge their personal electronic devices. Available locations include the Grand Concourse, the Lakeside Center, and the Level 4 South Hall Classroom Lobby.

Sponsor message will be displayed on the overlay graphic panel depicted in the above renderings. Dimensions are 44" x 44". See the Freeman Graphics Artwork Guidelines linked on our Sponsorship Production [page](#) for additional details.

Submission instructions for creative files will be provided closer to the material deadline.

Questions? Contact the RSNA sponsorship team at sponsors@rsna.org.