

SAN ANTONIO
CONVENTION CENTER
SECTION L1C

SUGGESTION:

GRAPHIC SHOULD BE CUT AS REPRESENTED BY THE WHITE DOTTED LINES AS PER DESIGN AND PRINTER LIMITATIONS.

NOTE:

GRAPHICS SHOULD BE PRODUCED IN THREE PIECES WITH A 1/4" OVERLAP.

MATERIAL:

PHOTOTEX
WALLFROG

TOOLS:

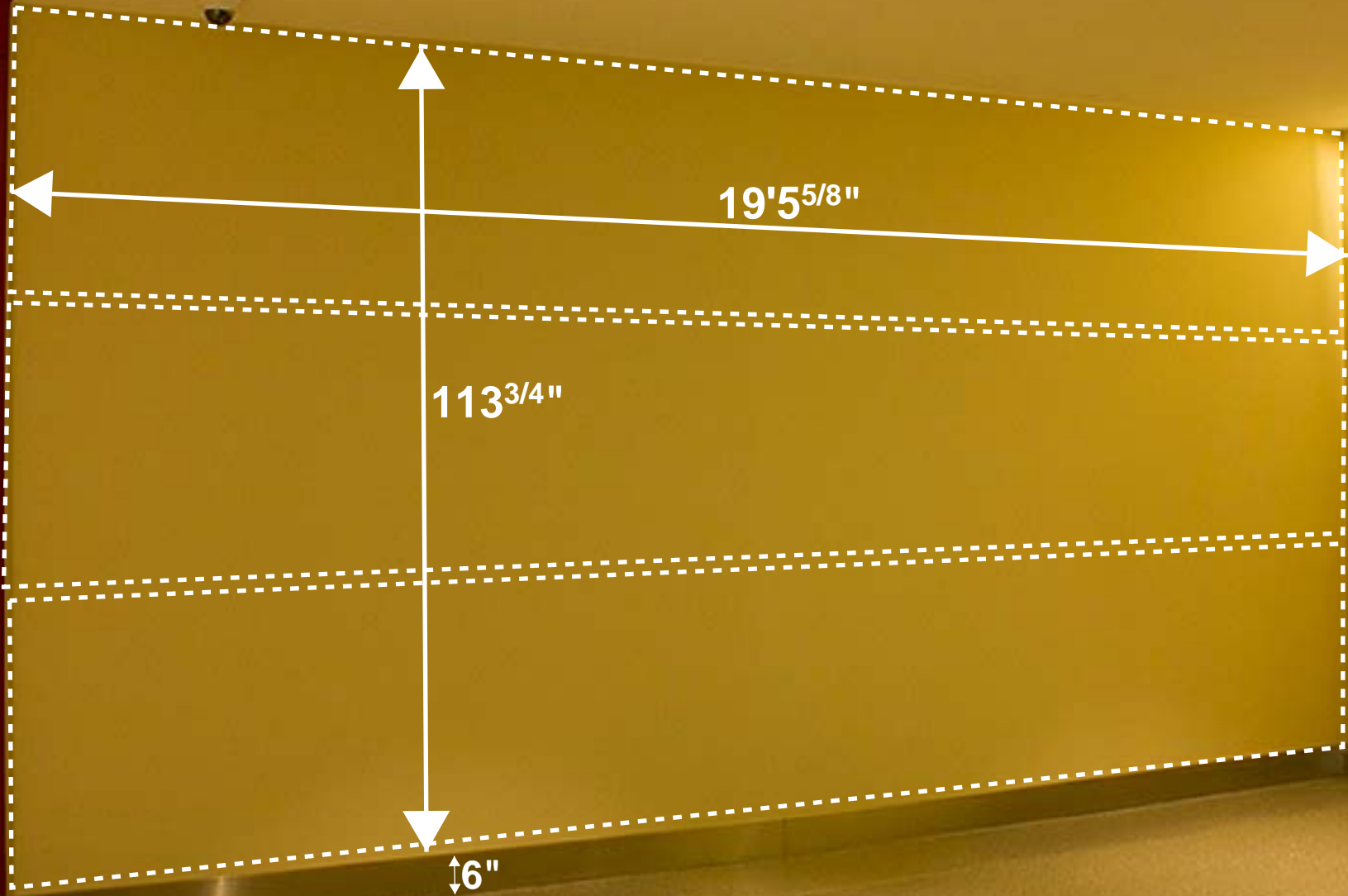
SQUEEGEE

LABOR:

MEN= 2
TIME= 4HR

EQUIPMENT:

2- 8' LADDER



L1-WG124

FREEMAN PLANTOUR