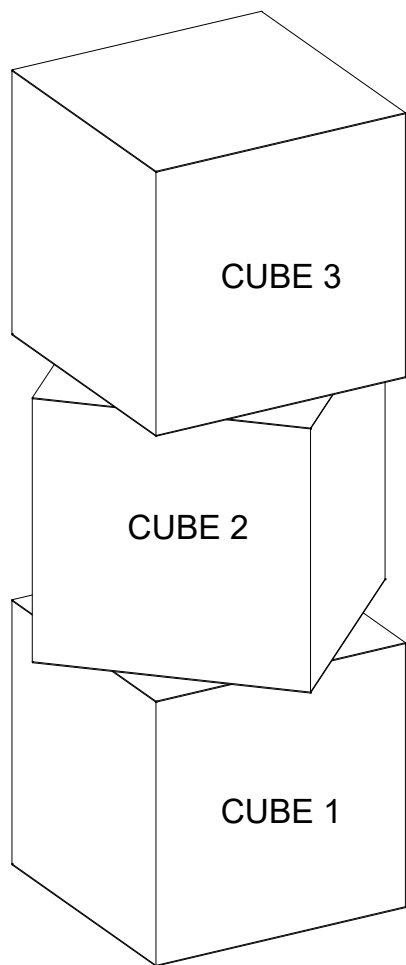
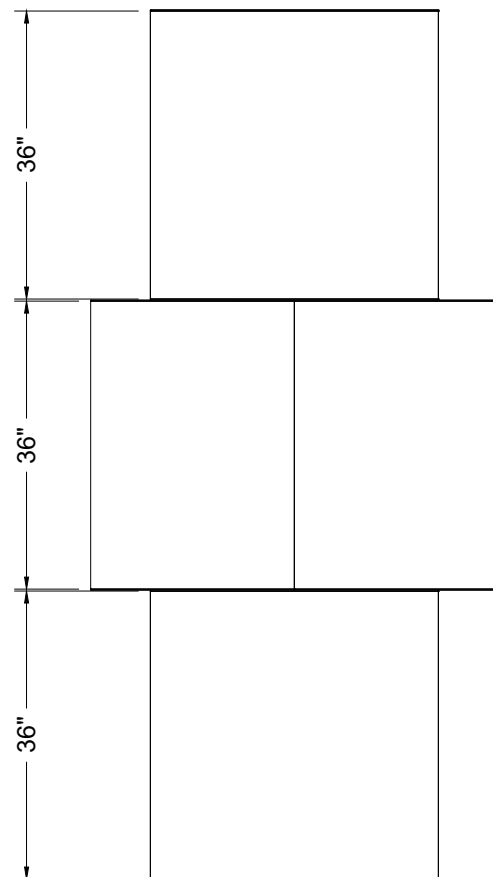




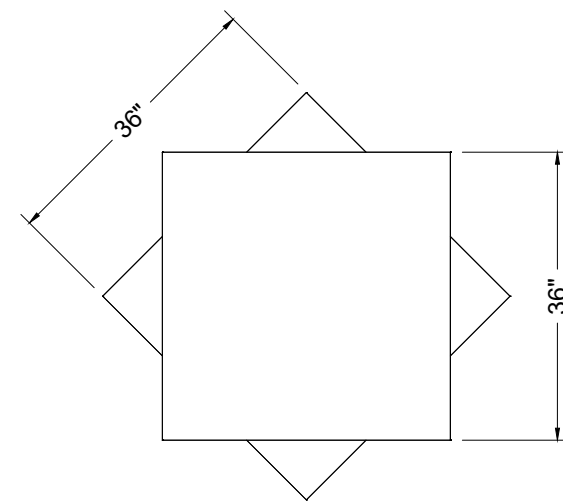
MOCK UP



ISOMETRIC VIEW



ELEVATION VIEW



PLAN VIEW

LESS THAN 30 DAYS OUT

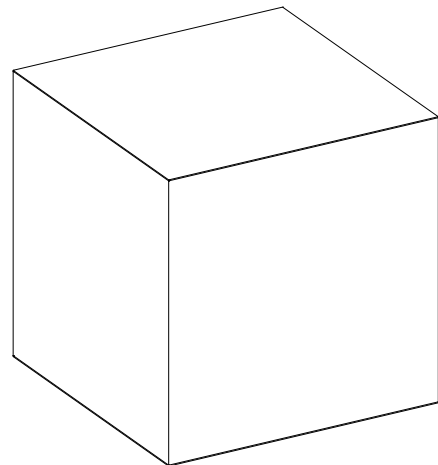
* 0 0 0 0 0 0 0 0 1 . 1 0 2 8 . 0 *

MORE THAN 30 DAYS OUT

* 0 0 0 0 0 0 0 0 1 . 1 0 2 8 . 1 *

QTY: 3

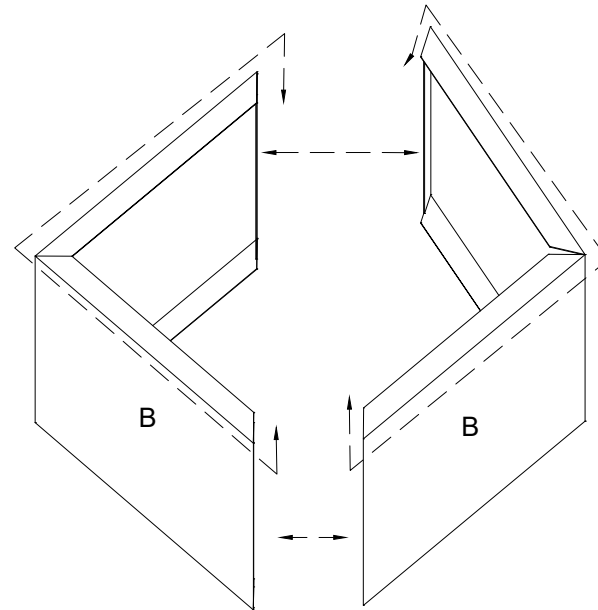
3' NON HANGING CUBE



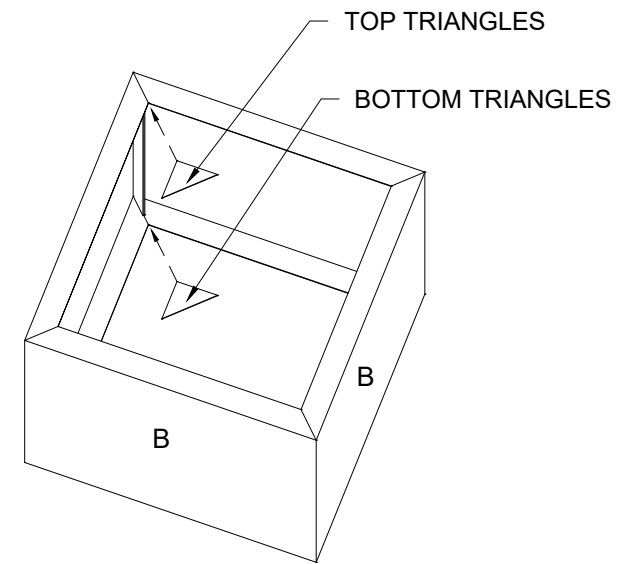
ISOMETRIC VIEW



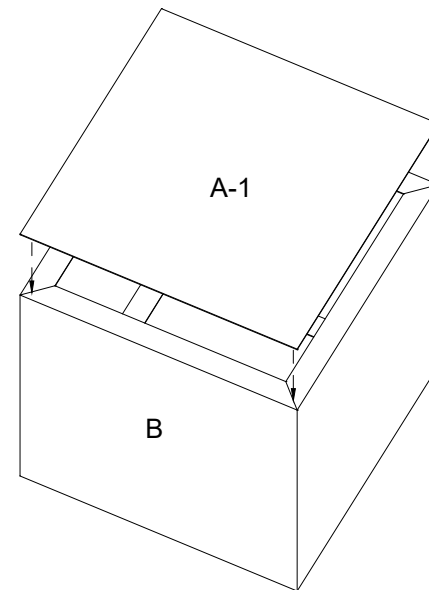
MOCK UP



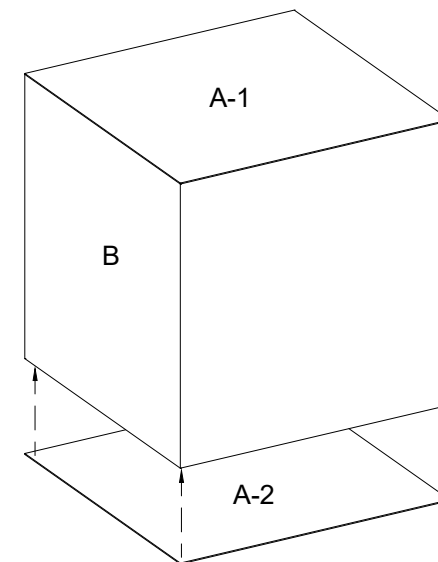
STEP 1
FOLD BOTH PANEL B'S ACCORDINGLY TO FORM 3' x 3' CUBE (ALL FLAPS ARE 3").



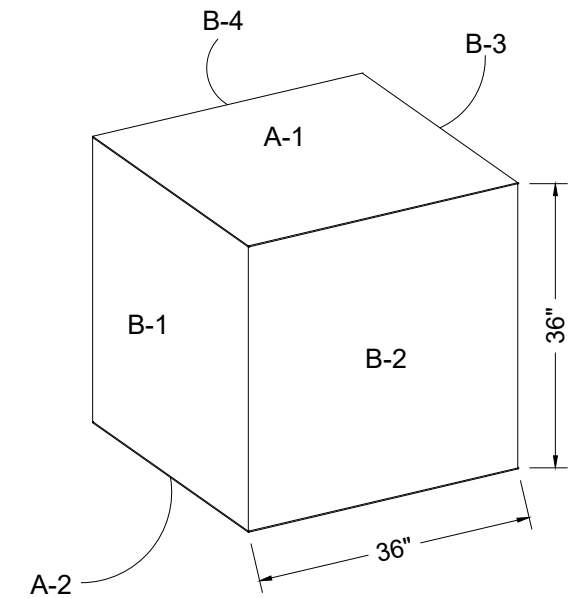
STEP 2
INSERT TRIANGULAR PIECES & USE HOT GLUE TO SECURE PANEL B FLAPS AND TRIANGLES IN PLACE



STEP 3
ATTACH TOP PANEL USING HOT GLUE



STEP 4
ATTACH BOTTOM PANEL USING HOT GLUE



LESS THAN 30 DAYS OUT

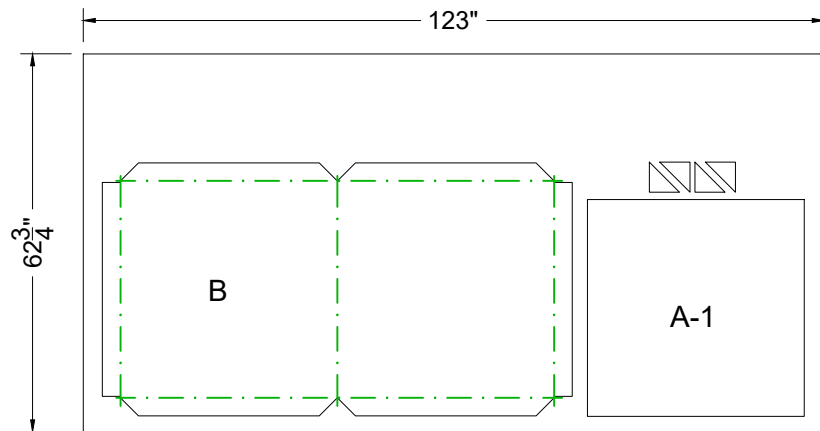


MORE THAN 30 DAYS OUT

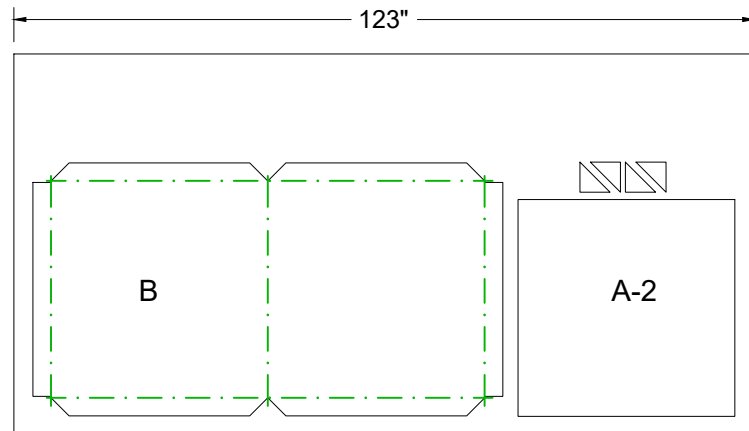


ORDERED BY:	ORDER DATE:	DUE DATE:	3
-------------	-------------	-----------	---

CUT FILE

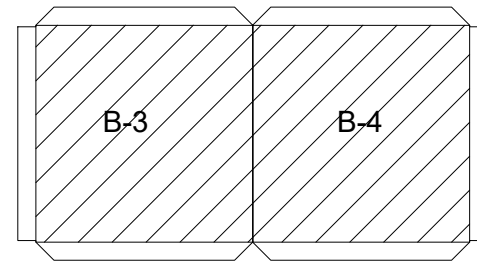
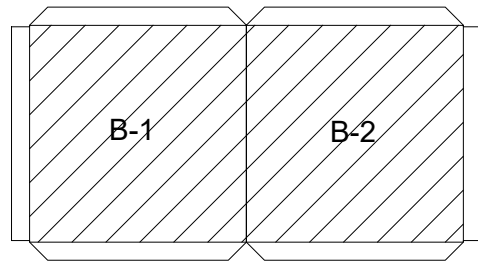
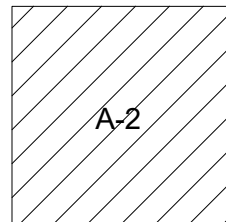
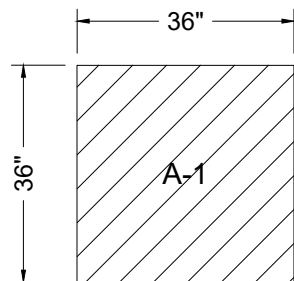


NAME: PANEL B, A-1 & TOP TRIANGULAR PCS.
 MATERIAL: 1/8" CARDBOARD FLUTE SHEET
 NOTES:
 QTY: 1
 NEED TO CUT:



NAME: PANEL B, A-2 & BOTTOM TRIANGULAR PCS.
 MATERIAL: 1/8" CARDBOARD FLUTE SHEET
 NOTES:
 QTY: 1
 NEED TO CUT:

ARTBOARD



LEGEND

- — ■ - THRU CUT
- - - ■ - CREASE
- ▨ - ART AREA