

TOTAL WIDTH OF ENTRANCE UNIT OPENINGS
EQUALS 55'-4". FIRE MARSHALL MUST APPROVE
OR ENTRANCES MAY NEED TO BE MADE WIDER

EACH TOWER USES 5
CORNER LED TILES

FLEX LED TOWER
2 X 7 TILES

FLEX LED TOWER
2 X 5 TILES

#1504
10'

TERRAZZO LINE

TERRAZZO LINE

AIRMAIL TRACK HEIGHT 17'-4" AIRMAIL PANELS ARE 17'-2"

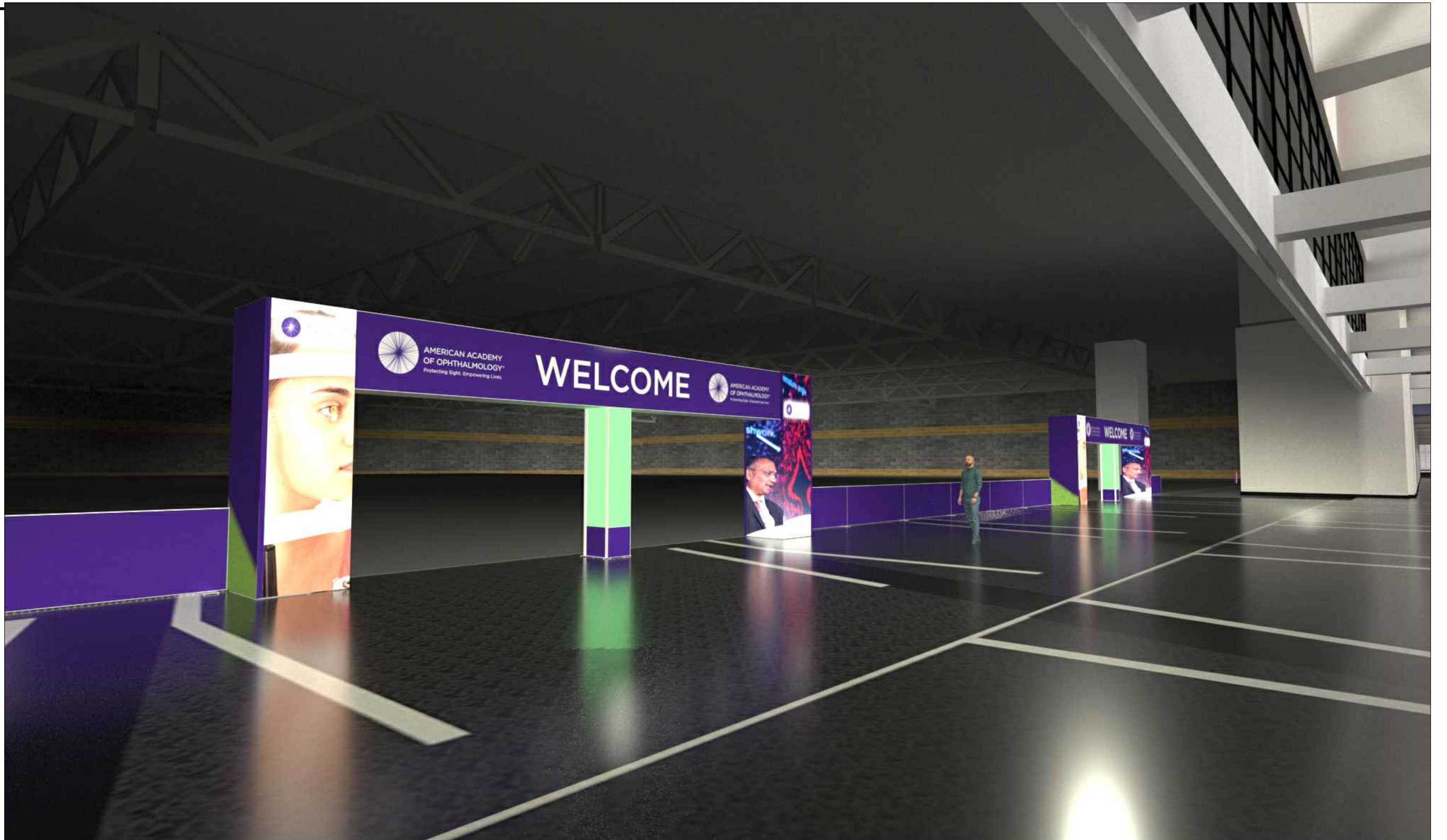
Sign
133" From
Floor

Sign
133" From
Floor

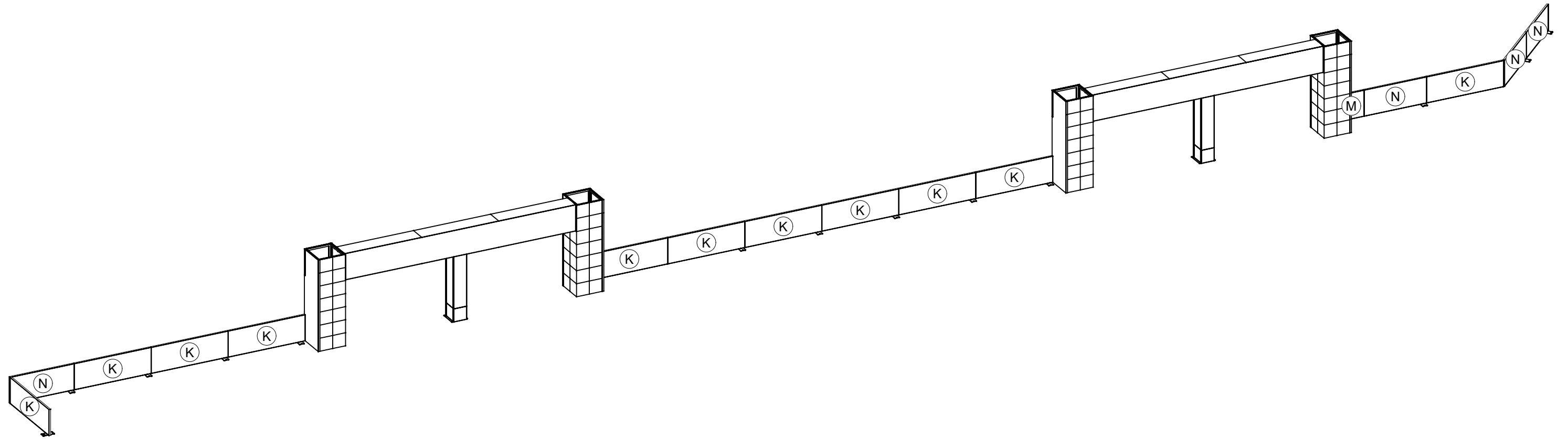
Sign
133" From
Floor

VIEW - 1

COURSE



GRAPHICS SHOWN ARE FOR PLACEMENT ONLY



Low Wall

I.D.	Qty	Type	Size	Area (SqFt)	Part Number	Description	Material	Color	Notes	Low Inv.	Weight
	11	FLEX Frame-Straight	39-1/16" x 117-3/16" (39.062" x 117.188")		60400044	Straight Frame 16 Hole x 48 Hole	Aluminum	Silver	SF16480001		231.11
	1	FLEX Frame-Straight	39-1/16" x 39-1/16" (39.062" x 39.062")		60400037	Straight Frame 16 Hole x 16 Hole	Aluminum	Silver	SF16160001		10.51
	4	FLEX Frame-Straight	39-1/16" x 95-3/16" (39.062" x 95.188")		60400043	Straight Frame 16 Hole x 39 Hole	Aluminum	Silver	SF16390001		72.24
	1	FLEX Acc-Corner Post	39-1/16"		60440124	POST - SQUARE W/2 SIDES x 16 HOLE	Steel	Gray			4.05
BS	14	FLEX Acc-Base Plate	7-5/16" x 17-1/16" x 0-7/16"		60440081	BASE PLATE SMALL	Steel	Silver			119.42
P7	2	FLEX Acc-Pin Plate	Standard		60440063	4 PIN 135DEG CONNECTOR BASE	Steel	Chrome	CO901280343C		2.46
C1	22	FLEX Part-Connector	Standard		60440043	MANUAL CLAMP CONNECTOR	Aluminum	Silver	CO90120250132POM		8.14
C10	18	FLEX Part-Connector	Standard		60440047	MANUAL M8 PIN CONNECTOR	Aluminum	Silver	CO90120480066MKII		3.96
C12	4	FLEX Part-Connector	Standard		60440048	MANUAL M8 PIN CONNECTOR FOR LEDSKIN	Aluminum	Silver	CO90120480100MKII		0.96
K	22	Flex Insert	38-3/4" x 116-7/8" (38.75" x 116.875")	31.5	60160052	PVC INFILL FOR STRAIGHT FRAME 16 HOLE X 48 HOLE	PVC 3MM	White	w/ Female Velcro		7.70
M	2	Flex Insert	38-3/4" x 38-3/4" (38.75" x 38.75")	10.4	60160046	PVC INFILL FOR STRAIGHT FRAME 16 HOLE X 16 HOLE	PVC 3MM	White	w/ Female Velcro		0.34
N	8	Flex Insert	38-3/4" x 94-15/16" (38.75" x 94.938")	25.5	60160051	PVC INFILL FOR STRAIGHT FRAME 16 HOLE X 39 HOLE	PVC 3MM	White	w/ Female Velcro		2.40
O16	5	Overlay Panel	2-7/16" x 39-1/16"	0.7	<<CUSTOM>>	Cover Profile 16 Hole	PVC 3MM	White			
O39	3	Overlay Panel	2-7/16" x 95-3/16"	1.6	<<CUSTOM>>	Cover Profile 39 Hole	PVC 3MM	White			
O40	1	Overlay Panel	2-7/16" x 97-5/8-1/16"	0.1	<<CUSTOM>>	Cover Profile 40 Hole	PVC 3MM	White			
O48	11	Overlay Panel	2-7/16" x 117-3/16"	2.0	<<CUSTOM>>	Cover Profile 48 Hole	PVC 3MM	White			
				Total Area:	71.80					Total Weight:	463.29

LESS THAN 30 DAYS OUT



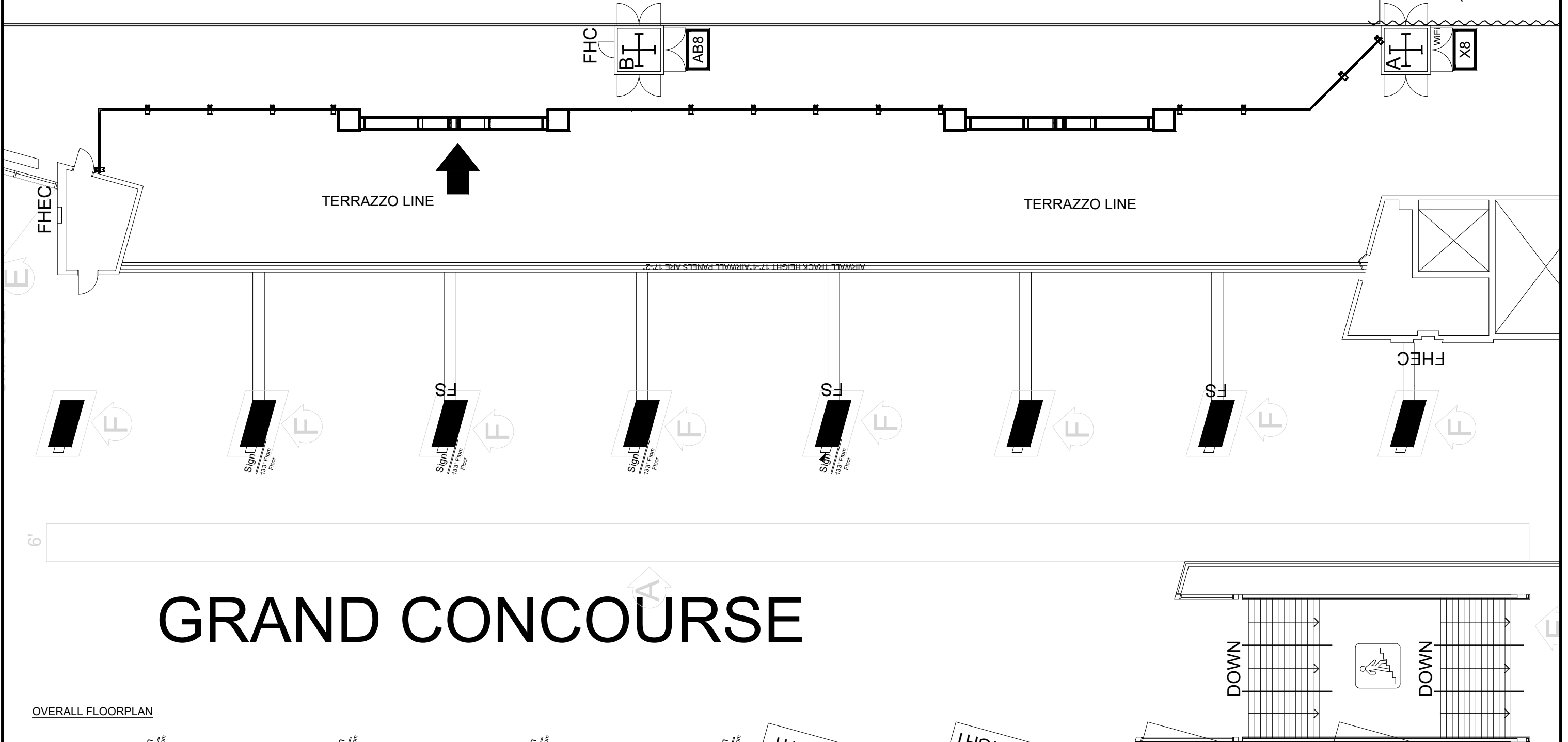
MORE THAN 30 DAYS OUT



AD KIOSK #5

AD KIOSK #4

(36" HIGH I



GRAND CONCOURSE

OVERALL FLOORPLAN