

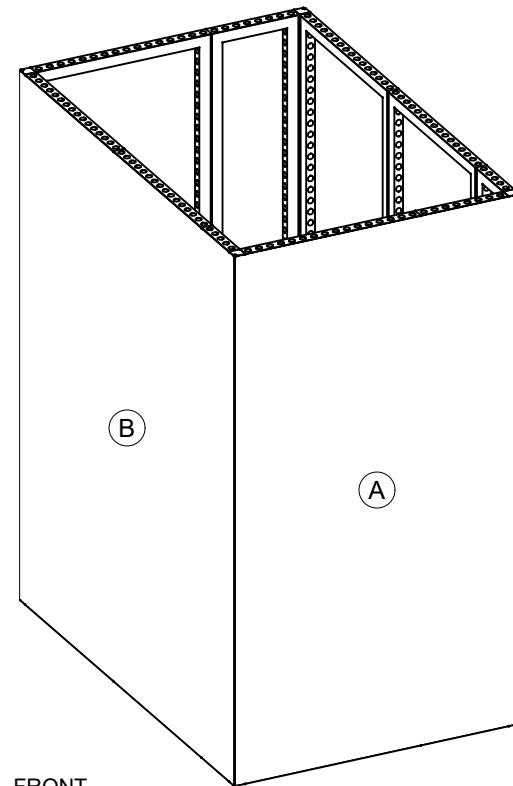
METAL

C12

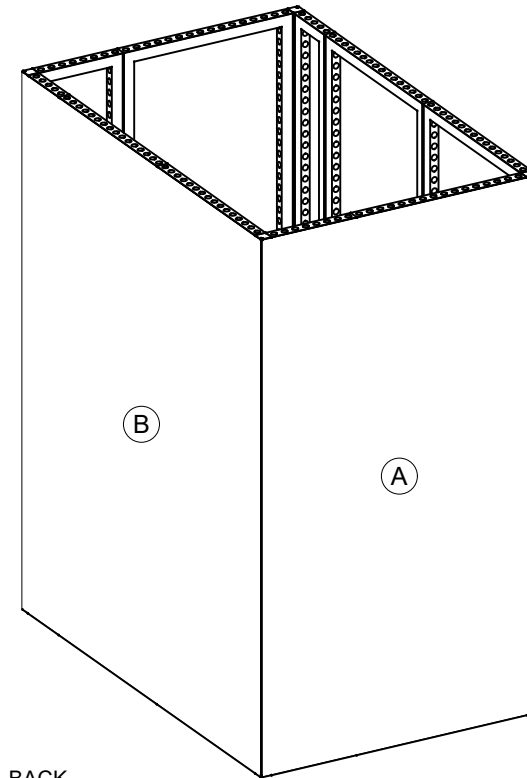
TYP. PANEL
TO POST

C1

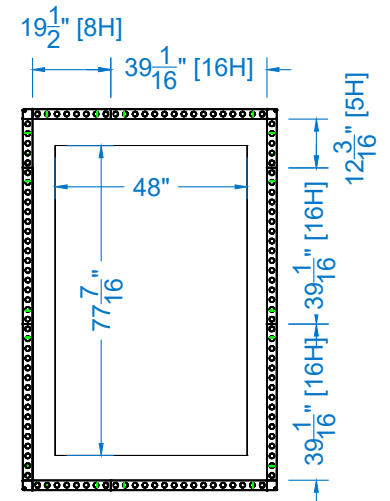
TYP. PANEL
TO PANEL



FRONT

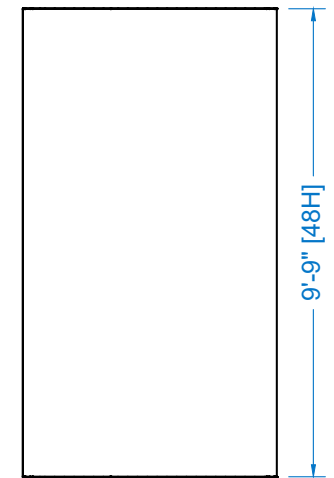


BACK



PLAN

Scale: 1/4" = 1'-0"



FRONT ELEVATION

Scale: 1/4" = 1'-0"

1.5M x 2.5M x 8FT Column

I.D.	Qty	Type	Size	Area (SqFt)	Part Number	Description	Material	Color	Notes	Low Inv.
	2	FLEX Frame-Straight	12-3/16" x 117-3/16"		60400017	Straight Frame 05 Hole x 48 Hole	Aluminum	Silver	SF05480001	
	2	FLEX Frame-Straight	19-1/2" x 117-3/16"		60400029	Straight Frame 08 Hole x 48 Hole	Aluminum	Silver	SF08480001	
	6	FLEX Frame-Straight	39-1/16" x 117-3/16"		60400044	Straight Frame 16 Hole x 48 Hole	Aluminum	Silver	SF16480001	
	8	FLEX Acc-Corner Post	0-5/16"		60440019	End piece for fabrics	Steel	Gray	bMX 614 S04 SET TG	X
	4	FLEX Acc-Corner Post	116-9/16"		60440021	Cmnr prof for fabric w/ 4 sides + thrds [2960MM]	Steel	Gray	CO6142960S04	
C1	12	FLEX Part-Connector	Standard		60440043	Manual Clamp Connector	Aluminum	Silver	CO90120250132POM	
C12	16	FLEX Part-Connector	Standard		60440048	Manual M8 pin connector for LEDSkin	Aluminum	Silver	CO90120480100MKII	
A	2	FLEX Fabric Graphic	63-7/16" x 117-3/16"	51.6		63-7/16" x 117-3/16" FLEX Fabric Graphic	Fabric	Graphic		
B	2	FLEX Fabric Graphic	95-3/16" x 117-3/16"	77.5		95-3/16" x 117-3/16" FLEX Fabric Graphic	Fabric	Graphic		

LESS THAN 30 DAYS OUT



MORE THAN 30 DAYS OUT

