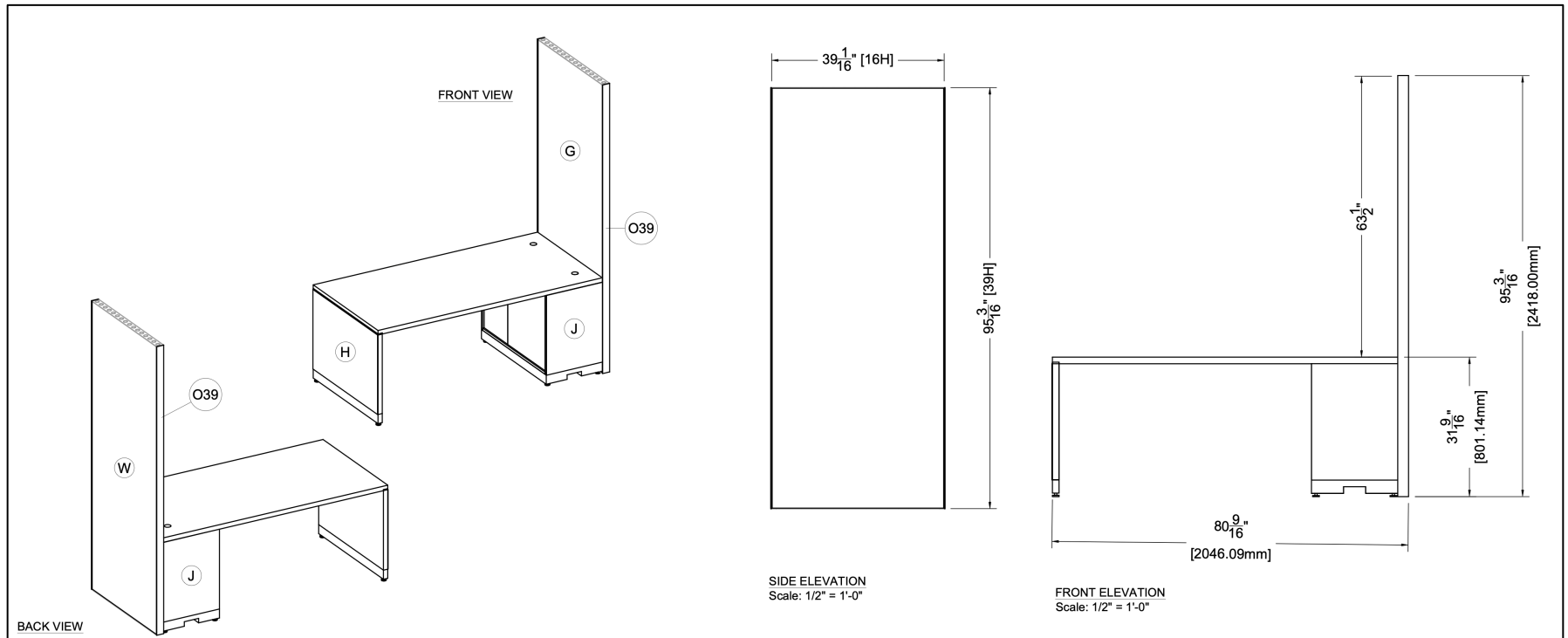


2025 AANP National Conference
 Tech Charging Kiosk
 Waterfall Table Graphic Specs

Panel	Artwork Size	Quantity
W	38-3/4" X 94-15/16"	1
G	38-3/4" X 64"	1
H	39" X 26-1/4"	1
J	38-1/8" X 25-7/8"	2



2M x 1M x 32H Waterfall

I.D.	Qty	Type	Size	Area (SqFt)	Part Number	Description	Material	Color	Notes	Low Inv.	Weight
	1	FLEX Frame-Straight	39-1/16" x 95-3/16" (39.062" x 95.188")		60400043	STRAIGHT FRAME 16 HOLE X 39 HOLE	Aluminum	Silver	SF16390001		18.06
C22	2	FLEX Acc-Pin Plate	2-7/8" x 2-3/4" x 4-3/8"		60440053	GALVA STEEL 90DEG MULTICNCTR FOR T AND KINGPIN	Steel	Galvanized	CO901280221GALVA		1.24
O39	2	FLEX PVC Cover	95-3/16" x 2-7/16"		60160126	PVC END CAP (39 HOLE)	PVC 3MM	White			0.04
C10	2	FLEX Part-Connector	1-5/16" x 1-5/16" x 3-9/16"		60440047	MANUAL M8 PIN CONNECTOR	Aluminum	Silver	CO90120480066MKII		0.44
C11	2	FLEX Part-Connector	1-9/16" x 1-9/16" x 2-5/8"		60440050	1MM THIN M8 PIN CONNECTOR	Aluminum	Silver	CO90120490066INOX	X	0.70
W	1	Flex Insert	38-3/4" x 94-15/16" (38.75" x 94.938")	25.5	60160051	PVC INFILL FOR STRAIGHT FRAME 16 HOLE X 39 HOLE	PVC 3MM	White	w/ Female Velcro		8.56
	1	MBS Cabinet	39-1/16" x 19-1/2" x 29-5/16"		60200003	MBS CABINET UNIT 1M X 1/2M X 3/4M	Laminate	White			
G	1	MBS Cabinet Graphic	38-3/4" x 0-1/8" x 64"	0	20600051	MBS PANEL GRAPHIC 38.75" X 64"	PVC 3MM	Graphic			
H	1	MBS Cabinet Graphic	39" x 0-1/8" x 26-1/4"		20600015	MBS WATERFALL LEG GRAPHIC 39" X 26.25"	3M 3552	Graphic			
J	2	MBS Cabinet Graphic	38-1/8" x 0-1/8" x 25-7/8"		20600013	MBS SIDE PANEL GRAPHIC 19.5" X 26.3125"	PVC 2MM	Graphic			
	1	MBS Cabinet Insert	38-3/4" x 0-1/8" x 31"		60200079	MBS PVC PANEL - FLEX CONNECTION - 38.75" X 31"	PVC 3MM	White	Panel to attach 1Mx32"Cabinet to Flex Frame		
	1	MBS Counter	39-1/16" x 1-1/4" x 29-5/16"		60200051	MBS WATERFALL LEG 1M X 1.5" X 3/4M	Laminate	White			
	1	MBS Countertop	78-1/8" x 39-1/16" x 1-1/4"		60200050	MBS WATERFALL TABLETOP 2M	Laminate	White			
			Total Area:	25.50						Total Weight:	29.04

