

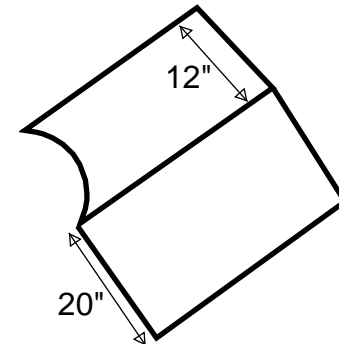
SAN ANTONIO
CONVENTION CENTER
SECTION L2A

DIMENSIONS:

H= 20'1"
C= 7'10^{1/2}"

NOTE: BANNER
WILL NEED TO BE
CUT AROUND THE
BEAM CONNECTED
TO THE COLUMN.

**BEAM
DIMENSIONS:**



10'

BEAM 20"

81^{5/8}"

CW201

NOTE: TOPS OF
ELECTRICAL
SOCKETS ARE 20"
FROM THE FLOOR.

NOTE:
HEIGHT
DIMENSION IS
FROM FLOOR
TO CEILING.

EQUIPMENT:
10' LADDER

LABOR:
MEN= 2
TIME= 1HR

MATERIAL:
VINYL

NOTE:

THIS COLUMN HAS A SMALLER
CIRCUMFERENCE AT THE BOTTOM.

SUGGESTIONS:

WRAP CARPET STRIPS AROUND THE
BOTTOM TO FILL OUT THE WRAP IF
WRAP WRINKLES WITHOUT THEM.

L2-CW201

FREEMAN PLANTOUR