

PLAN 5' GRID

**F R E E M A N**

PROJECT Personal Health Experience  
BOOTH # Mgmt

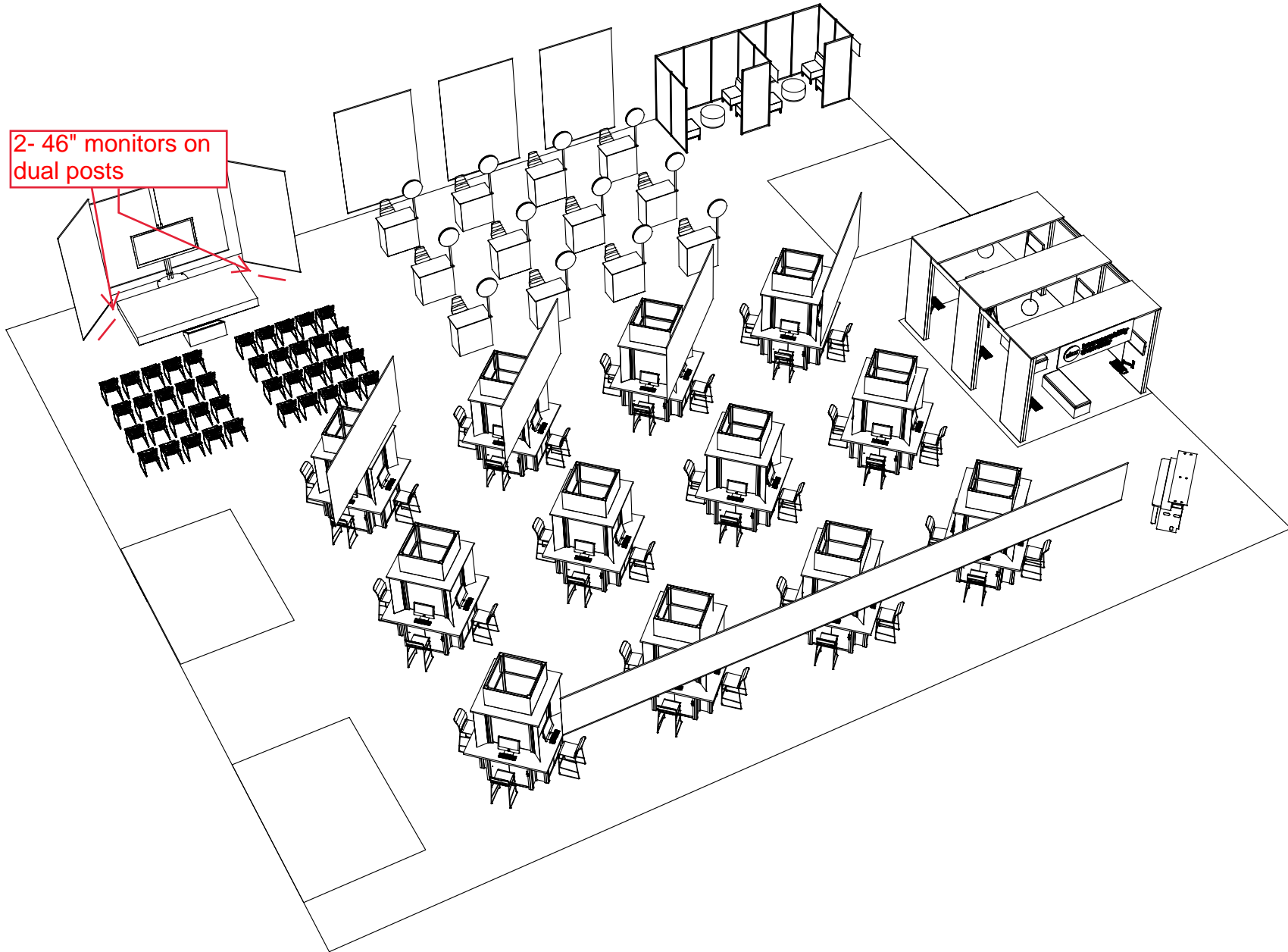
SHOW NAME HIMSS 19  
SHOW DATE 3/1/2019  
SHOW LOCATION Orange County Convention Center

SALES CONTACT Sarah Johnson  
JOB NUMBER 452520  
LINE ITEM NUMBER 4686497

CREATED BY Orlando R./Kevin K. CREATION DATE 11/26/2018  
REVISED 11/26/2018  
PRODUCING BRANCH Chicago

FILE NAME P:/Chicago/Branch/NCRDC/\_Out of Region/2019/HIMSS(452520)/Expo/Solutions Lab/CAD/HIMSS19 Solutions Lab KIOSK B 4686497 DES.dwg

2- 46" monitors on dual posts



PERSPECTIVE

F R E E M A N

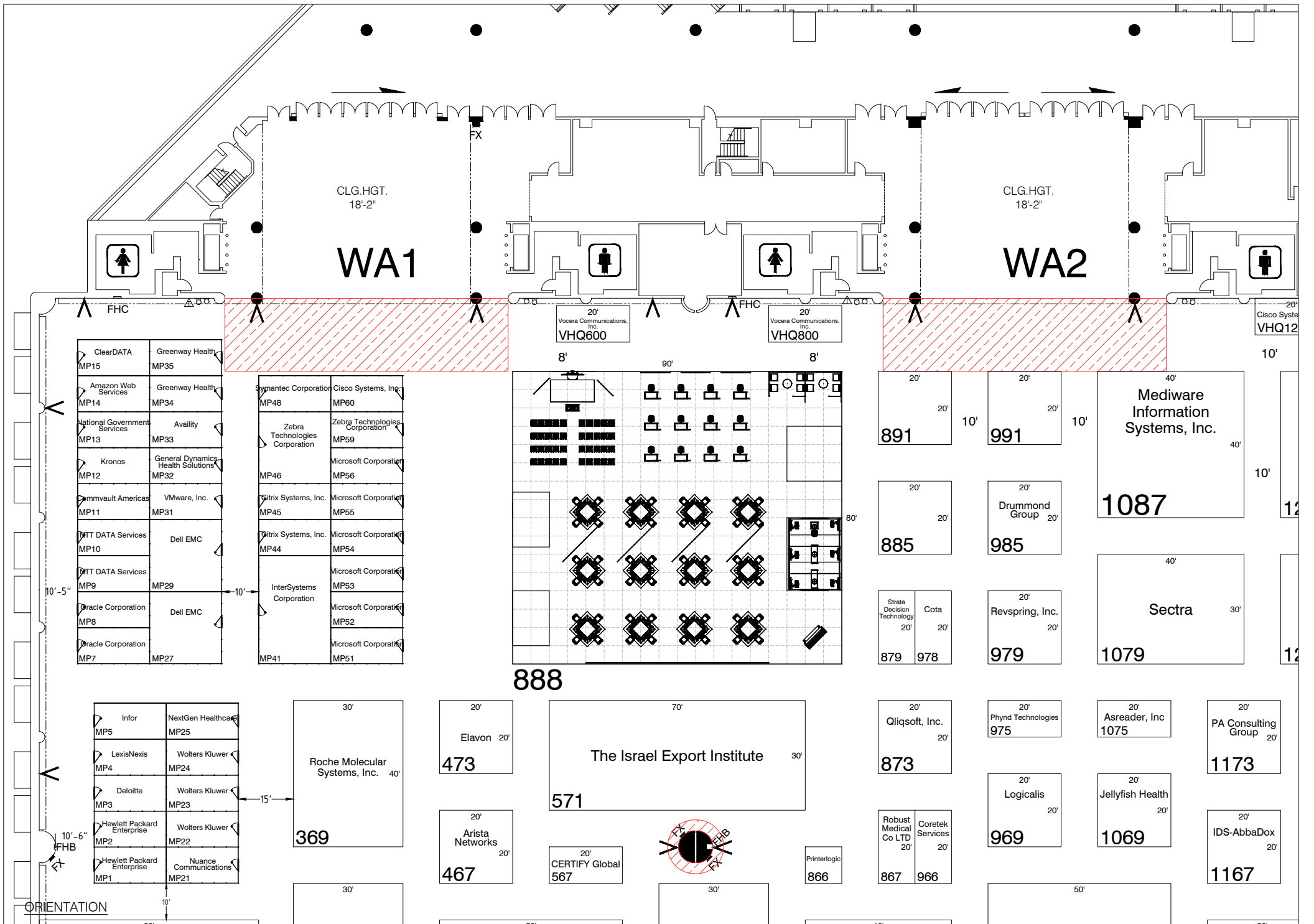
PROJECT Personal Health Experience  
BOOTH # Mgmt

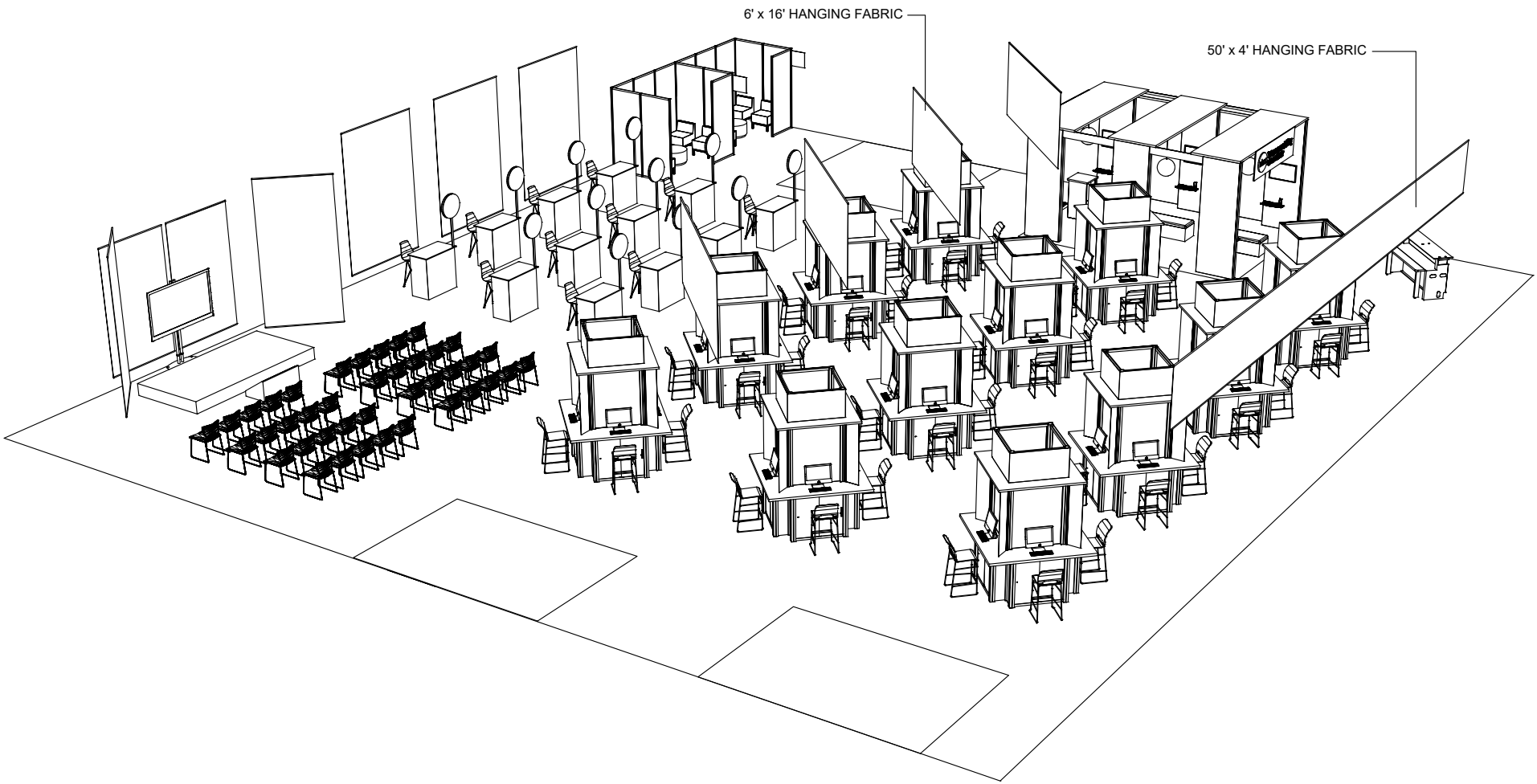
SHOW NAME HIMSS 19  
SHOW DATE 3/1/2019  
SHOW LOCATION Orange County Convention Center

SALES CONTACT Sarah Johnson  
JOB NUMBER 452520  
LINE ITEM NUMBER 4686497

CREATED BY Orlando R./Kevin K. CREATION DATE 11/26/2018  
REVISED 11/26/2018  
PRODUCING BRANCH Chicago

FILE NAME P:/Chicago/Branch/NCRDC/\_Out of Region/2019/HIMSS(452520)/Expo/Solutions Lab/CAD/HIMSS19 Solutions Lab KIOSK B 4686497 DES.dwg





PERSPECTIVE

**F R E E M A N**

PROJECT Personal Health Experience  
BOOTH # Mgmt

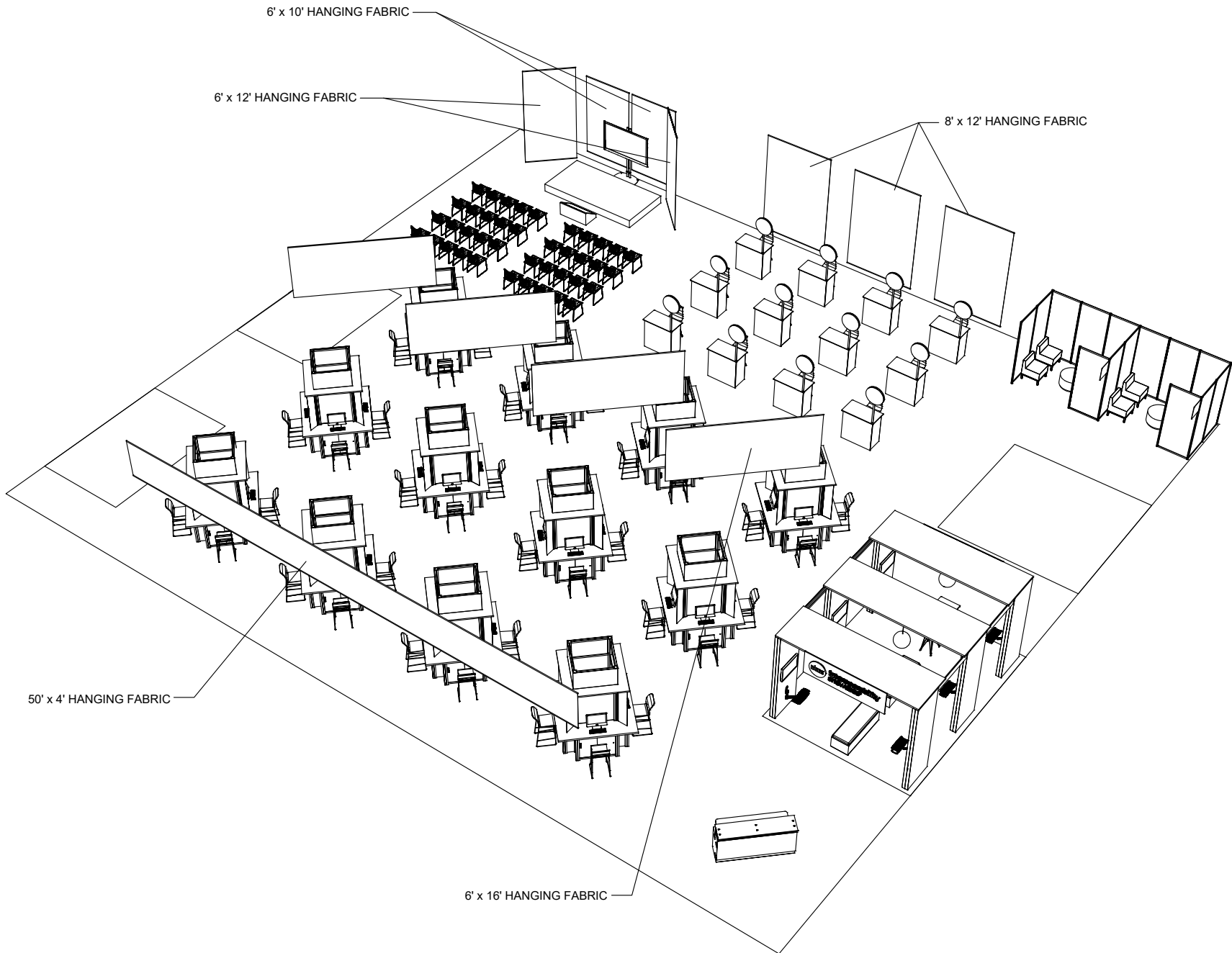
SHOW NAME HIMSS 19  
SHOW DATE 3/1/2019  
SHOW LOCATION Orange County Convention Center

SALES CONTACT Sarah Johnson  
JOB NUMBER 452520  
LINE ITEM NUMBER 4686497

CREATED BY Orlando R./Kevin K. CREATION DATE 11/26/2018  
REVISED 11/26/2018  
PRODUCING BRANCH Chicago

FILE NAME P:/Chicago/Branch/NCRDC/\_Out of Region/2019/HIMSS(452520)/Expo/Solutions Lab/CAD/HIMSS19 Solutions Lab KIOSK B 4686497 DES.dwg

The text, graphics, designs, logos, data compilations and information ("Content") contained in this Proposal are owned or controlled by Freeman and are protected by United States and international copyright and trade secret laws. Modification or reproduction of the Content for any purpose is strictly prohibited.



PERSPECTIVE

**F R E E M A N**

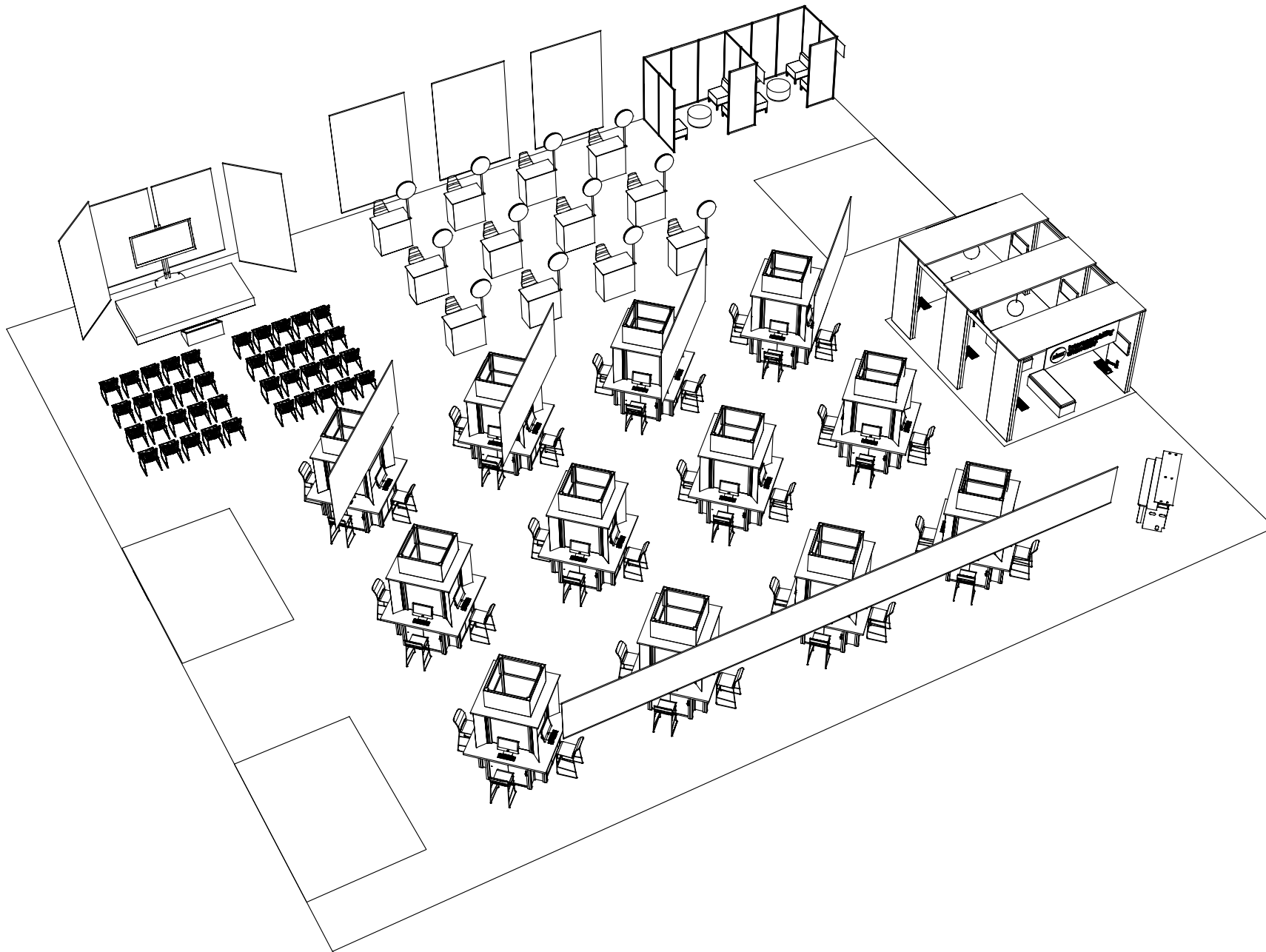
PROJECT Personal Health Experience  
BOOTH # Mgmt

SHOW NAME HIMSS 19  
SHOW DATE 3/1/2019  
SHOW LOCATION Orange County Convention Center

SALES CONTACT Sarah Johnson  
JOB NUMBER 452520  
LINE ITEM NUMBER 4686497

CREATED BY Orlando R./Kevin K. CREATION DATE 11/26/2018  
REVISED 11/26/2018  
PRODUCING BRANCH Chicago

FILE NAME P:/Chicago/Branch/NCRDC/\_Out of Region/2019/HIMSS(452520)/Expo/Solutions Lab/CAD/HIMSS19 Solutions Lab KIOSK B 4686497 DES.dwg



PERSPECTIVE

**F R E E M A N**

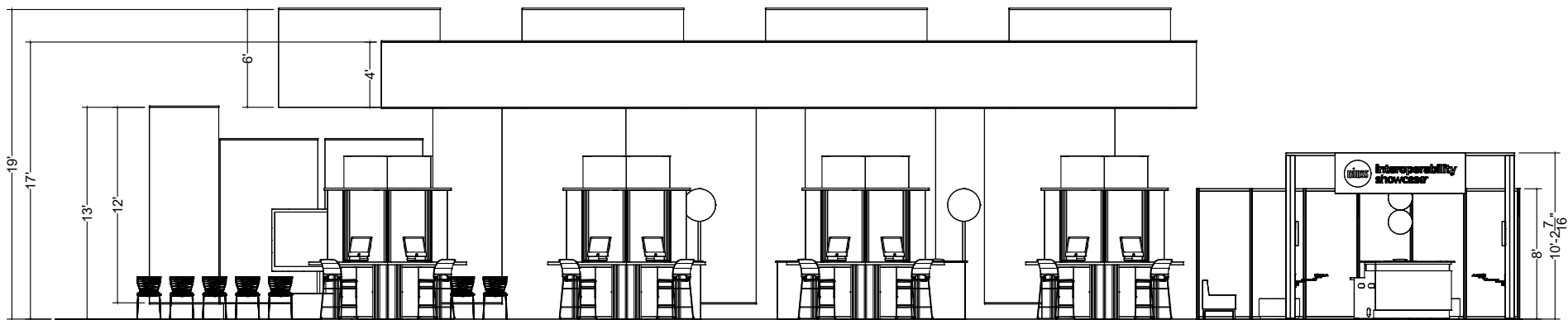
PROJECT Personal Health Experience  
 BOOTH # Mgmt

SHOW NAME HIMSS 19  
 SHOW DATE 3/1/2019  
 SHOW LOCATION Orange County Convention Center

SALES CONTACT Sarah Johnson  
 JOB NUMBER 452520  
 LINE ITEM NUMBER 4686497

CREATED BY Orlando R./Kevin K. CREATION DATE 11/26/2018  
 REVISED 11/26/2018  
 PRODUCING BRANCH Chicago

FILE NAME P:/Chicago/Branch/NCRDC/\_Out of Region/2019/HIMSS(452520)/Expo/Solutions Lab/CAD/HIMSS19 Solutions Lab KIOSK B 4686497 DES.dwg



ELEVATION

**F R E E M A N**

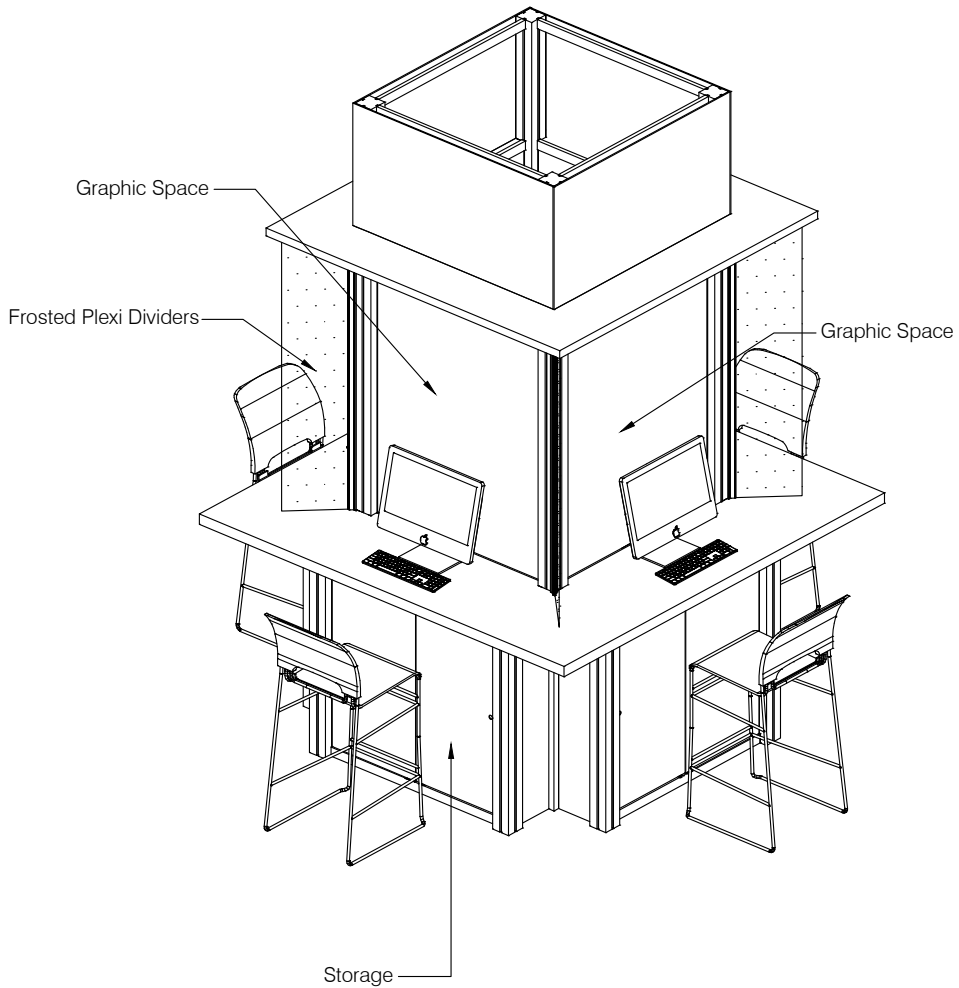
PROJECT Personal Health Experience  
BOOTH # Mgmt

SHOW NAME HIMSS 19  
SHOW DATE 3/1/2019  
SHOW LOCATION Orange County Convention Center

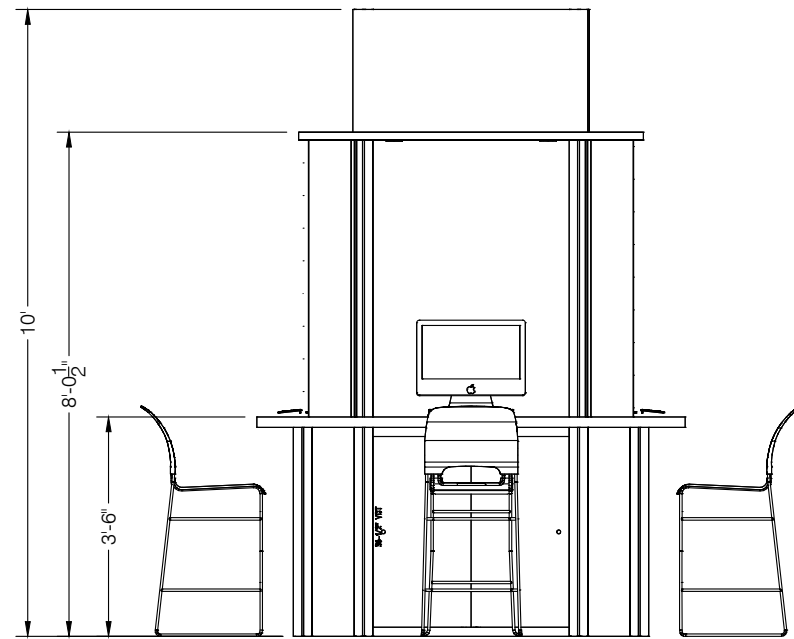
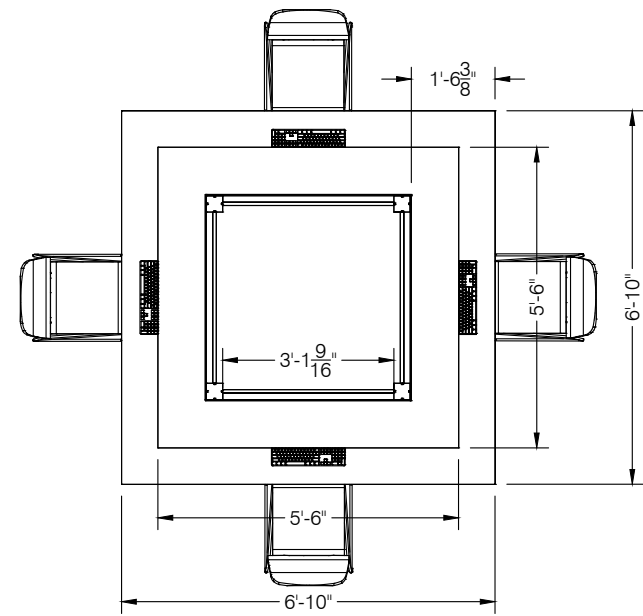
SALES CONTACT Sarah Johnson  
JOB NUMBER 452520  
LINE ITEM NUMBER 4686497

CREATED BY Orlando R./Kevin K. CREATION DATE 11/26/2018  
REVISED 11/26/2018  
PRODUCING BRANCH Chicago

FILE NAME P:/Chicago/Branch/NCRDC/\_Out of Region/2019/HIMSS(452520)/Expo/Solutions Lab/CAD/HIMSS19 Solutions Lab KIOSK B 4686497 DES.dwg

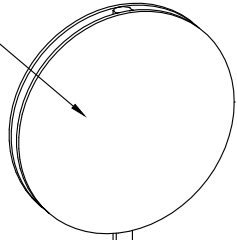


PERSPECTIVE



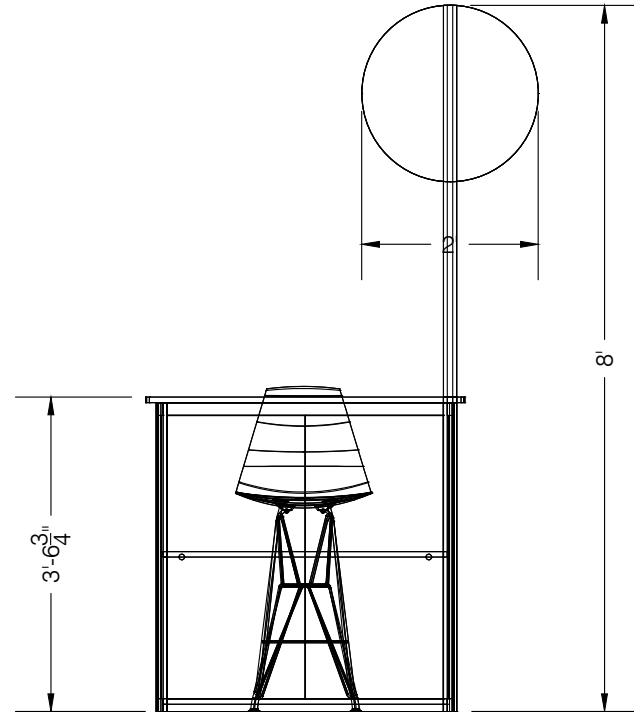
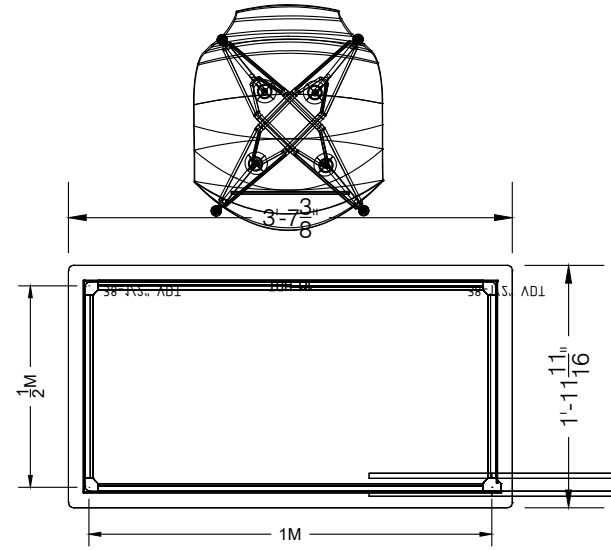
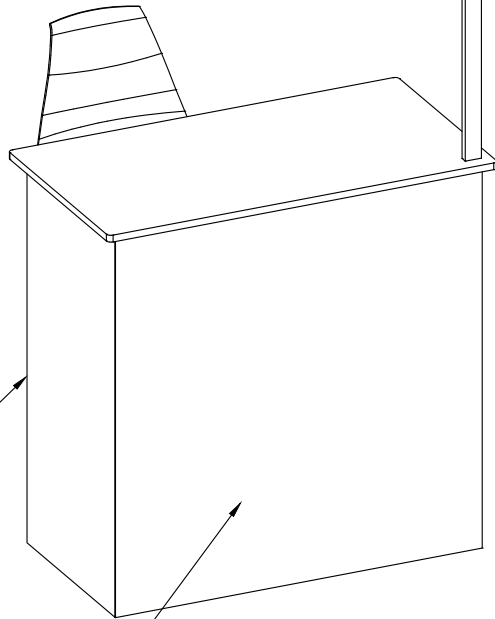


24" Diameter Double Sided Sign



Internal Storage

Graphic Space



PERSPECTIVE

F R E E M A N

PROJECT Personal Health Experience  
BOOTH # Mgmt

SHOW NAME HIMSS 19  
SHOW DATE 3/1/2019  
SHOW LOCATION Orange County Convention Center

SALES CONTACT Sarah Johnson  
JOB NUMBER 452520  
LINE ITEM NUMBER 4686497

CREATED BY Orlando R./Kevin K. CREATION DATE 11/26/2018  
REVISED 11/26/2018  
PRODUCING BRANCH Chicago

FILE NAME P:/Chicago/Branch/NCRDC/\_Out of Region/2019/HIMSS(452520)/Expo/Solutions Lab/CAD/HMSS19 Solutions Lab KIOSK B 4686497 DES.dwg