

Consumerism/Patient Engagement Pavilion

Value of Healthcare Pavilion

274	275	374	20'	20'	575	20'	20'
272	273	372	373	30'	573	30'	773

FREEMAN

PROJECT Value of Healthcare Pavilion
BOOTH # Mgmt

SHOW NAME HIMSS 2020
SHOW DATE 3/9/2020 through 3/13/2020
SHOW LOCATION Orange County Convention Center

SALES CONTACT EJ Shelly
JOB NUMBER 454446
LINE ITEM NUMBER 5510860

CREATED BY Orlando R. Kevin K.

CREATION DATE 8/2/2019
REVISED 8/2/2019
PRODUCING BRANCH Orlando

FILE NAME P:\Chicago\Branch\NCRDC\ Out of Region\2020\HIMSS (454446)\Expo\Value Driven Pavilion\CAD\Value Driven HIMSS20 5510860 DES.dwg



PERSPECTIVE

F R E E M A N

PROJECT Value of Healthcare Pavilion
 BOOTH # Mgmt

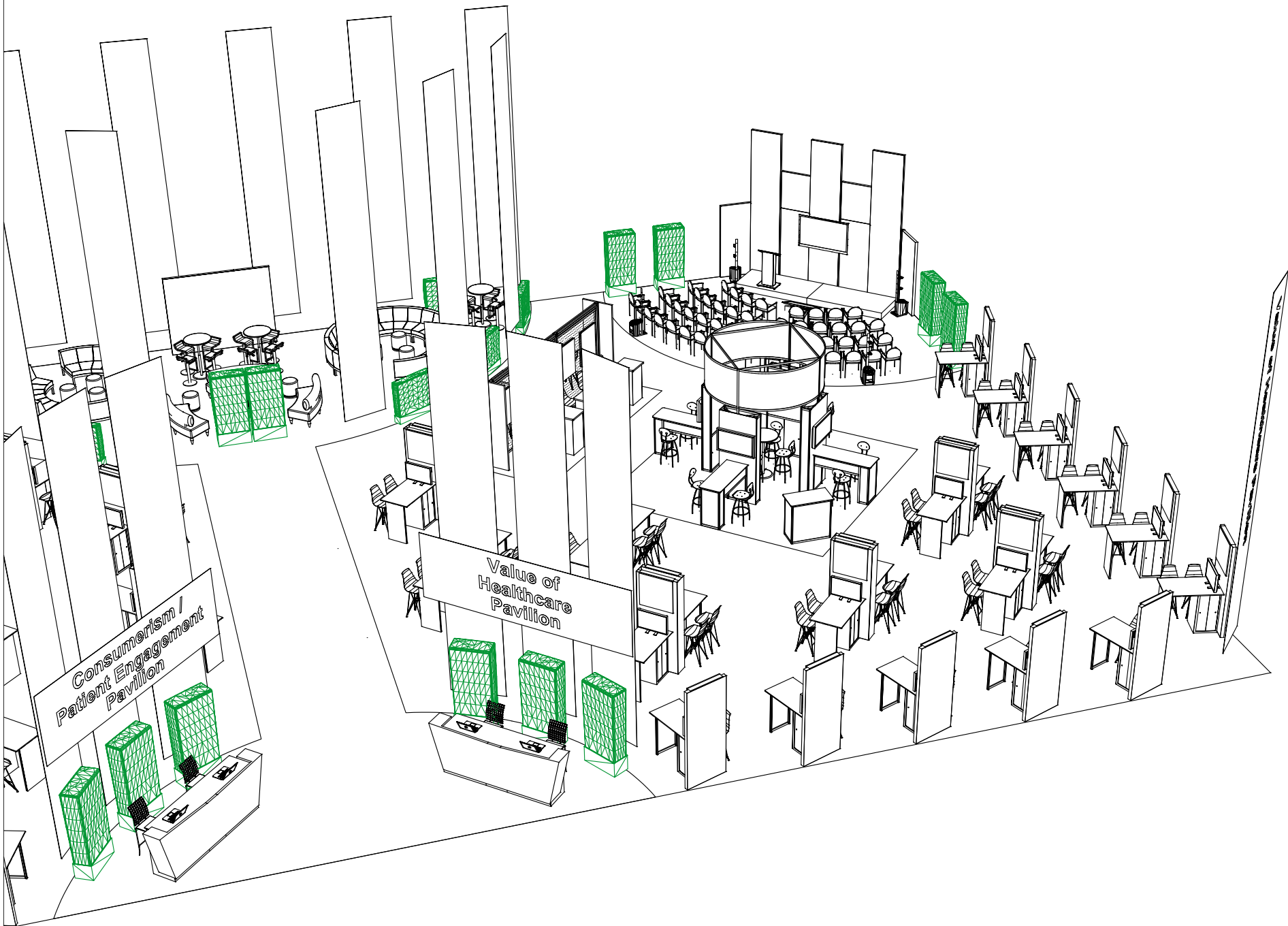
SHOW NAME HIMSS 2020
 SHOW DATE 3/9/2020 through 3/13/2020
 SHOW LOCATION Orange County Convention Center

SALES CONTACT EJ Shelly
 JOB NUMBER 454446
 LINE ITEM NUMBER 5510860

CREATED BY Orlando R. Kevin K.

CREATION DATE 8/2/2019
 REVISED 8/2/2019
 PRODUCING BRANCH Orlando

FILE NAME P:\Chicago\Branch\NCRDC\ Out of Region\2020\HIMSS (454446)\Expo\Value Driven Pavilion\CAD\Value Driven HIMSS20 5510860 DES.dwg



PERSPECTIVE

F R E E M A N

PROJECT Value of Healthcare Pavilion
BOOTH # Mgmt

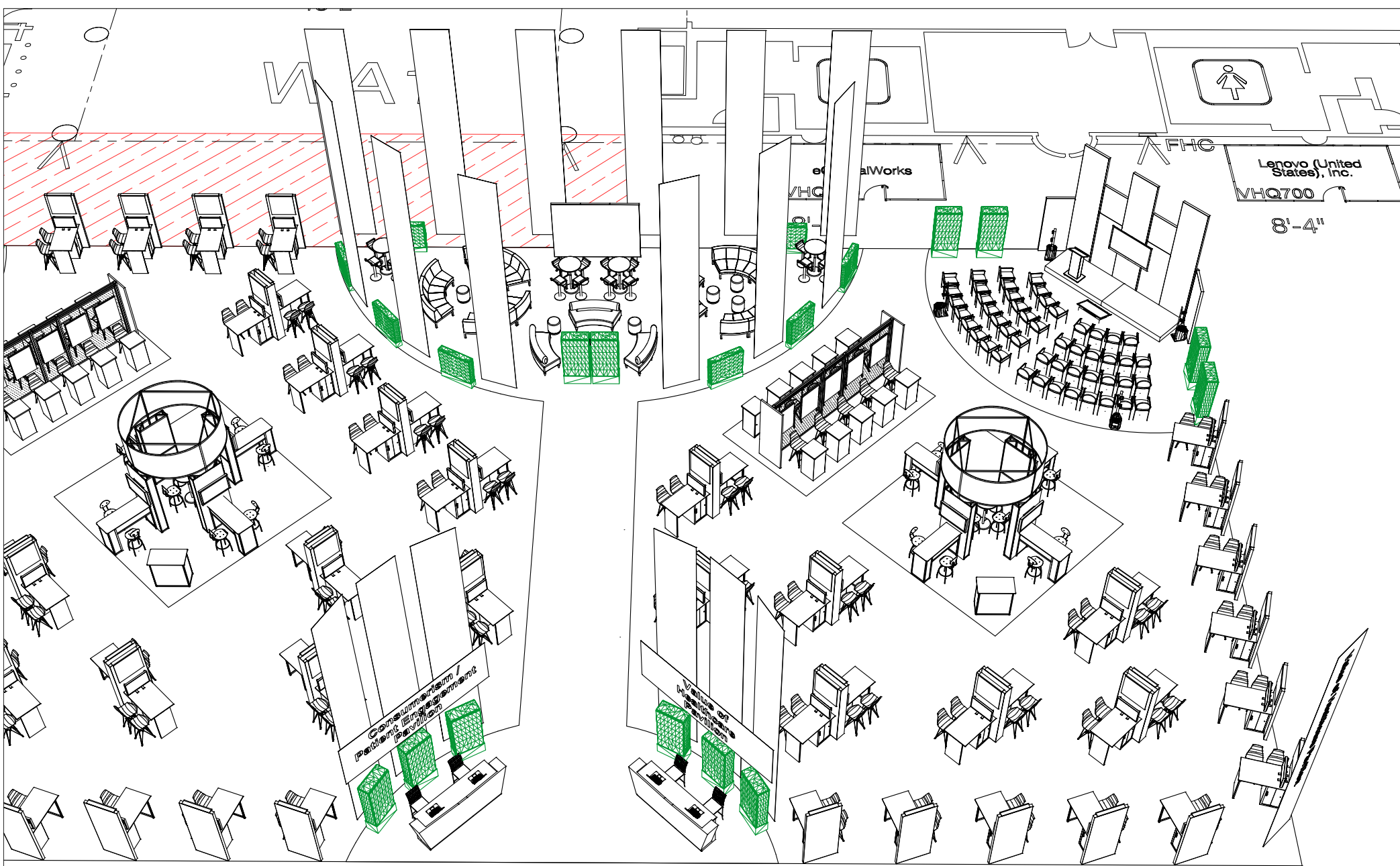
SHOW NAME HIMSS 2020
SHOW DATE 3/9/2020 through 3/13/2020
SHOW LOCATION Orange County Convention Center

SALES CONTACT EJ Shelly
JOB NUMBER 454446
LINE ITEM NUMBER 5510860

CREATED BY Orlando R. Kevin K.

CREATION DATE 6/3/2019
REVISED 7/26/2019
PRODUCING BRANCH Orlando

FILE NAME P:/Chicago/Branch/NCRDC/_Out of Region/2020/HIMSS (454446)/Expo/Value Driven Pavilion/CAD/Value Driven HIMSS20 5510860 DES.dwg



Management Pavilion

Value of Healthcare Pavilion

PERSPECTIVE 20'

20'

20'

F R E E M A N

PROJECT Value of Healthcare Pavilion
BOOTH # Mgmt

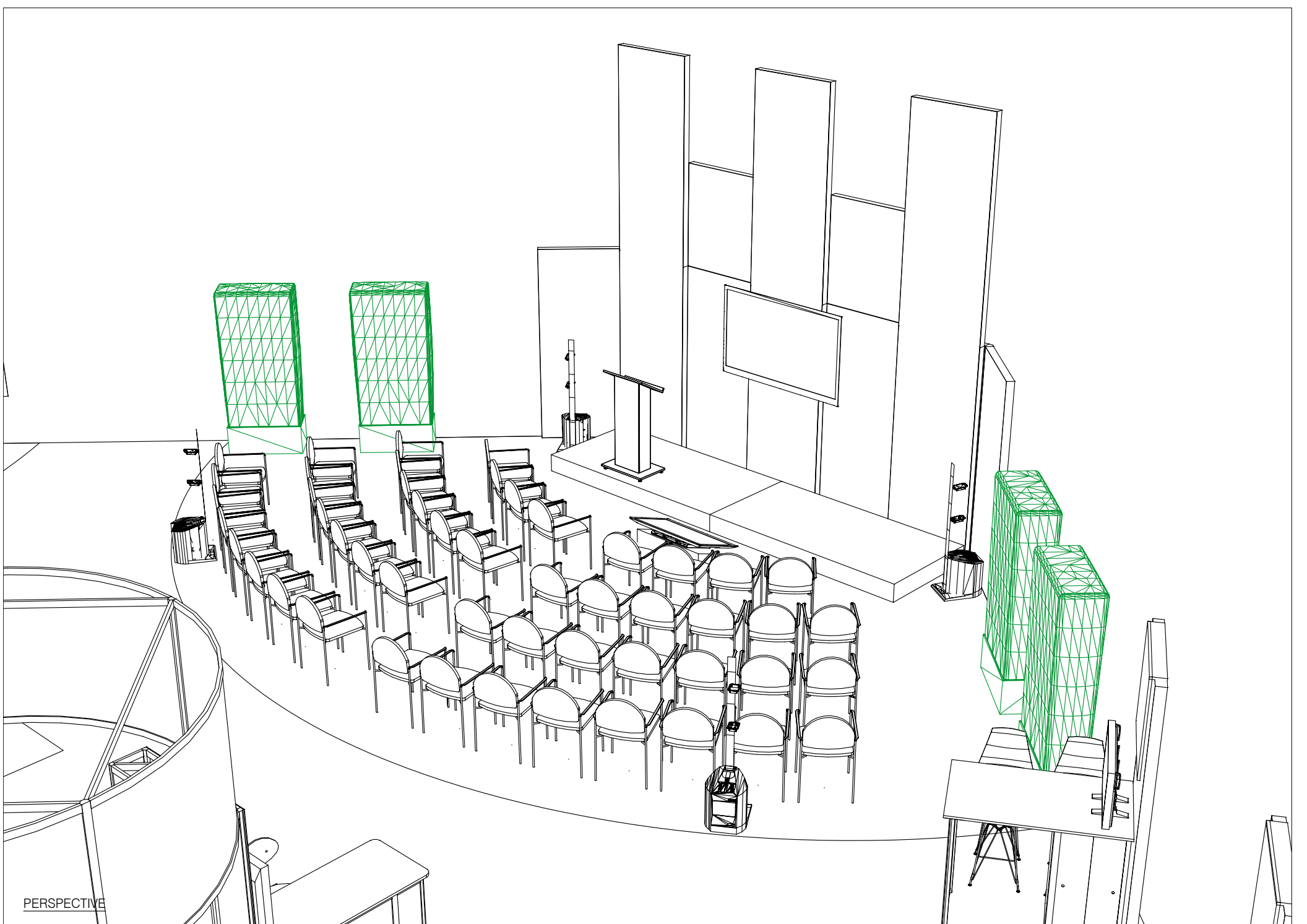
SHOW NAME HIMSS 2020
SHOW DATE 3/9/2020 through 3/13/2020
SHOW LOCATION Orange County Convention Center

SALES CONTACT EJ Shelly
JOB NUMBER 454446
LINE ITEM NUMBER 5510860

CREATED BY Orlando R. Kevin K.

CREATION DATE 6/3/2019
REVISED 7/26/2019
PRODUCING BRANCH Orlando

FILE NAME P:/Chicago/Branch/NCRDC/ Out of Region/2020/HIMSS (454446)/Expo/Value Driven Pavilion/CAD/Value Driven HIMSS20 5510860 DES.dwg



PERSPECTIVE

F R E E M A N

PROJECT Value of Healthcare Pavilion
BOOTH # Mgmt

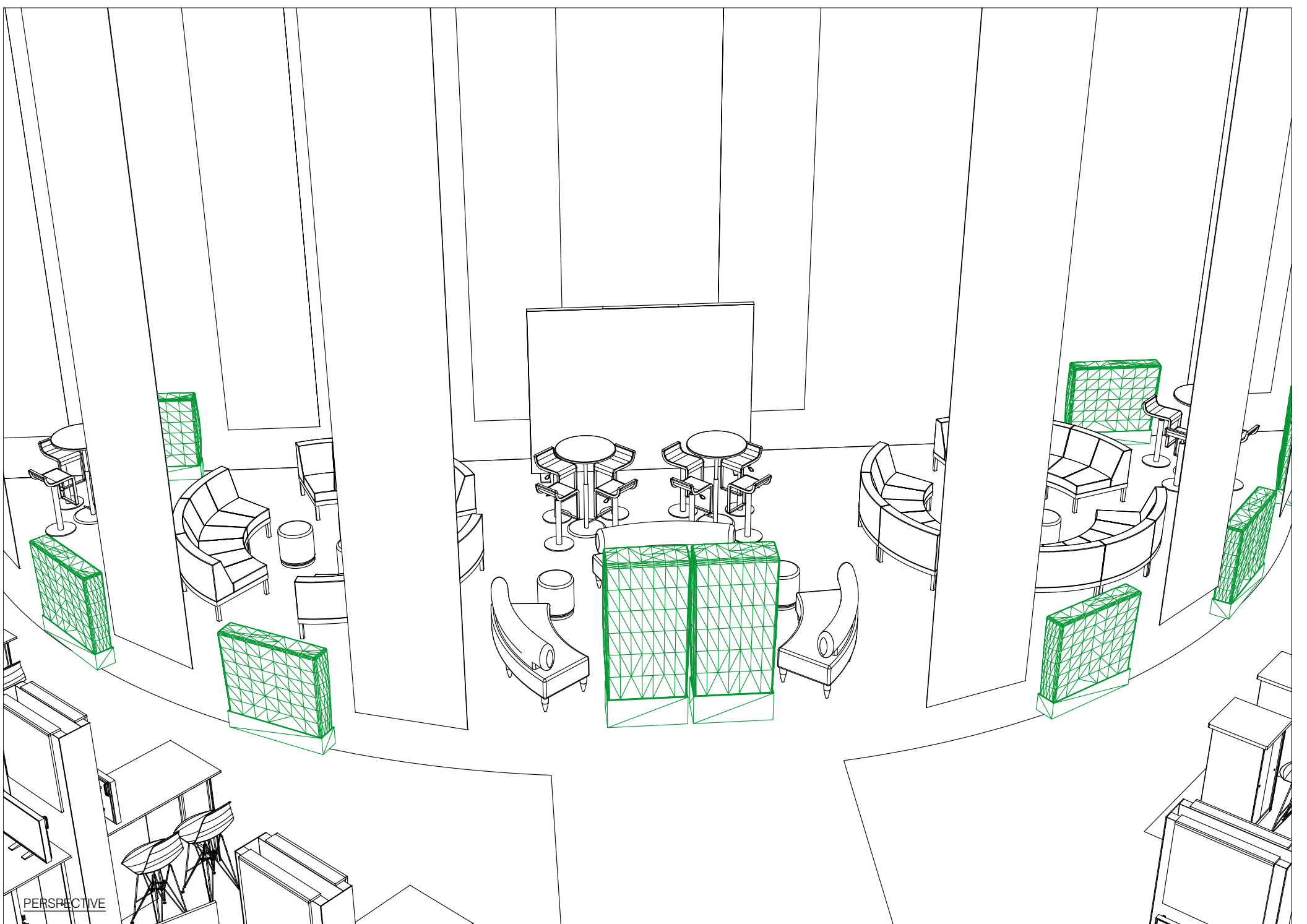
SHOW NAME HIMSS 2020
SHOW DATE 3/9/2020 through 3/13/2020
SHOW LOCATION Orange County Convention Center

SALES CONTACT EJ Shelly
JOB NUMBER 454446
LINE ITEM NUMBER 5510860

CREATED BY Orlando R. Kevin K.

CREATION DATE 6/3/2019
REVISED 7/26/2019
PRODUCING BRANCH Orlando

FILE NAME P:\Chicago\Branch\NCRDC\ Out of Region\2020\HIMSS (454446)\Expo\Value Driven Pavilion\CAD\Value Driven HIMSS20 5510860 DES.dwg



PERSPECTIVE

F R E E M A N

PROJECT Value of Healthcare Pavilion
BOOTH # Mgmt

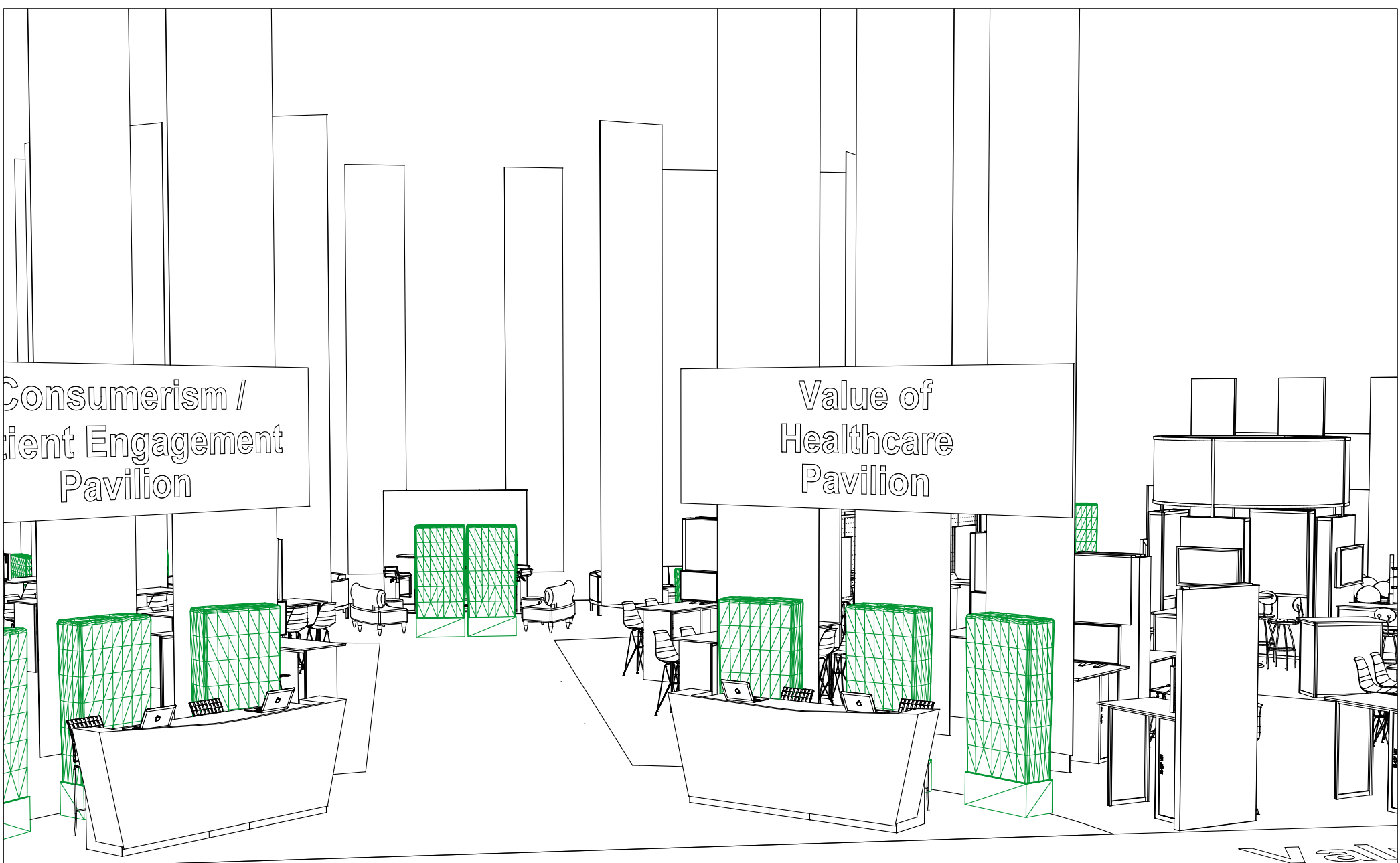
SHOW NAME HIMSS 2020
SHOW DATE 3/9/2020 through 3/13/2020
SHOW LOCATION Orange County Convention Center

SALES CONTACT EJ Shelly
JOB NUMBER 454446
LINE ITEM NUMBER 5510860

CREATED BY Orlando R. Kevin K.

CREATION DATE 6/3/2019
REVISED 7/26/2019
PRODUCING BRANCH Orlando

FILE NAME P:/Chicago/Branch/NCRDC/ Out of Region/2020/HIMSS (454446)/Expo/Value Driven Pavilion/CAD/Value Driven HIMSS20 5510860 DES.dwg



PERSPECTIVE

F R E E M A N

PROJECT Value of Healthcare Pavilion
BOOTH # Mgmt

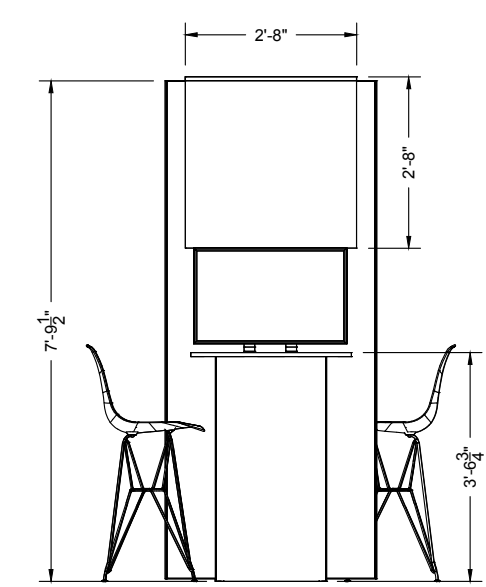
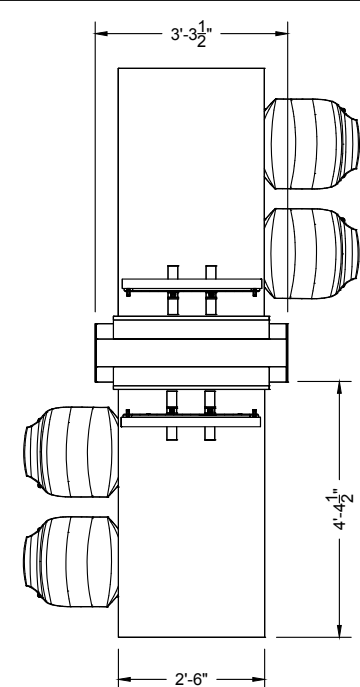
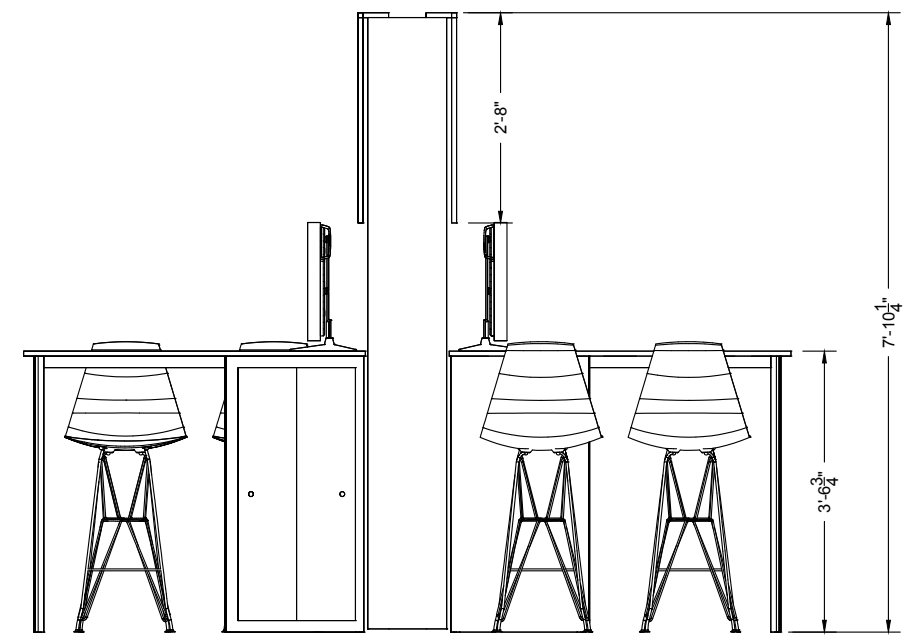
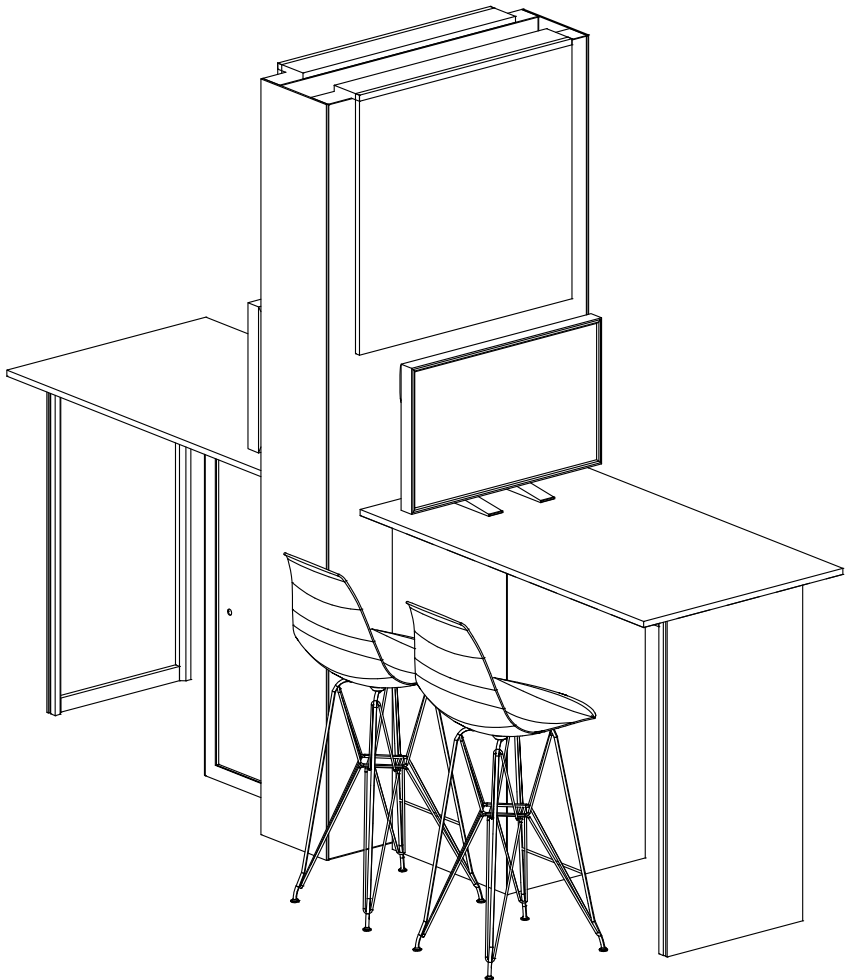
SHOW NAME HIMSS 2020
SHOW DATE 3/9/2020 through 3/13/2020
SHOW LOCATION Orange County Convention Center

SALES CONTACT EJ Shelly
JOB NUMBER 454446
LINE ITEM NUMBER 5510860

CREATED BY Orlando R. Kevin K.

CREATION DATE 6/3/2019
REVISED 7/26/2019
PRODUCING BRANCH Orlando

FILE NAME P:/Chicago/Branch/NCRDC/_Out of Region/2020/HIMSS (454446)/Expo/Value Driven Pavilion/CAD/Value Driven HIMSS20 5510860 DES.dwg



PERSPECTIVE

F R E E M A N

PROJECT Value of Healthcare Pavilion
BOOTH # Mgmt

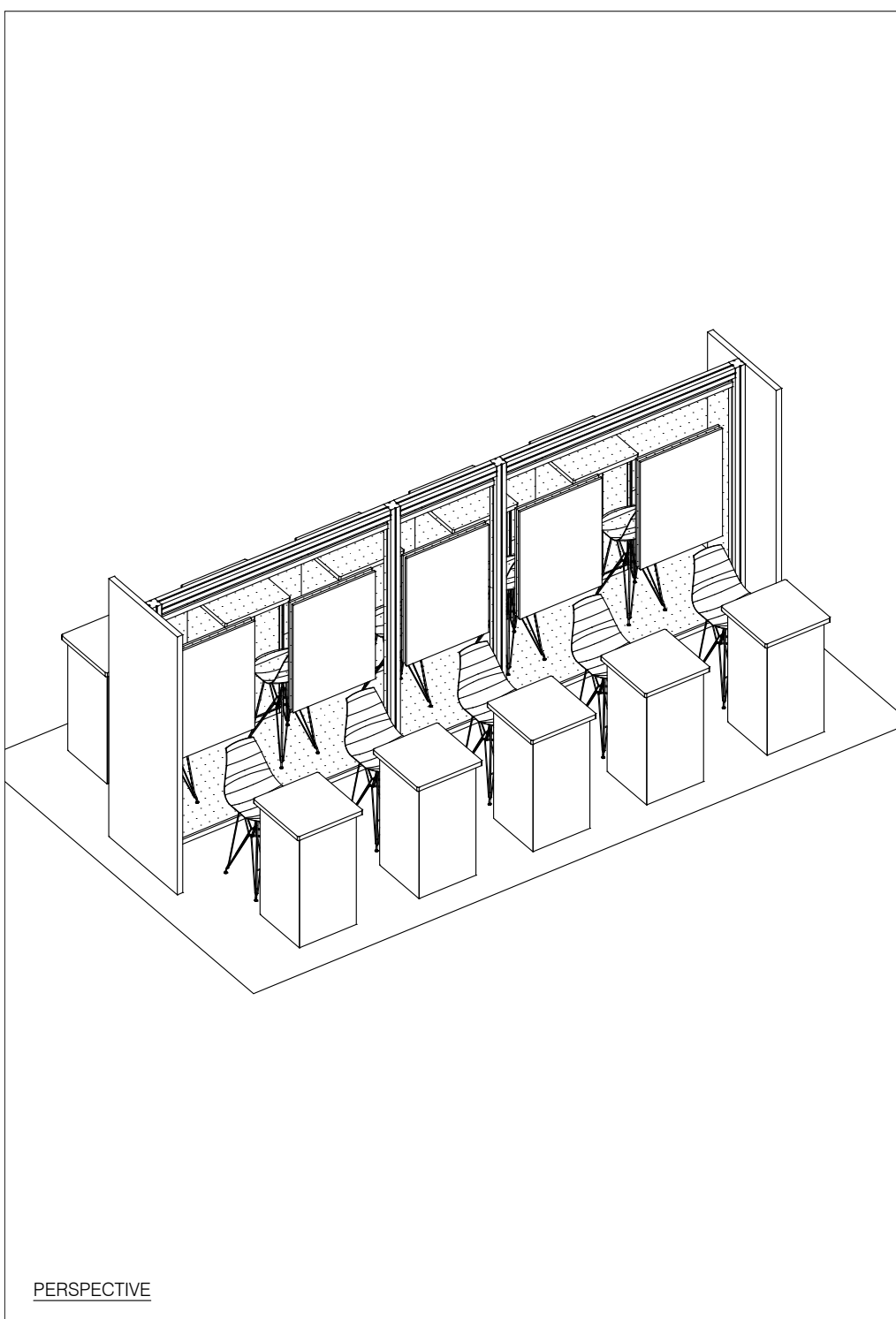
SHOW NAME HIMSS 2020
SHOW DATE 3/9/2020 through 3/13/2020
SHOW LOCATION Orange County Convention Center

SALES CONTACT EJ Shelly
JOB NUMBER 454446
LINE ITEM NUMBER 5510860

CREATED BY Orlando R. Kevin K.

CREATION DATE 6/3/2019
REVISED 7/26/2019
PRODUCING BRANCH Orlando

FILE NAME P:/Chicago/Branch/NCRDC/_Out of Region/2020/HIMSS (454446)/Expo/Value Driven Pavilion/CAD/Value Driven HIMSS20 5510860 DES.dwg



PERSPECTIVE

