

FREEMAN®

exhibit collection 2020



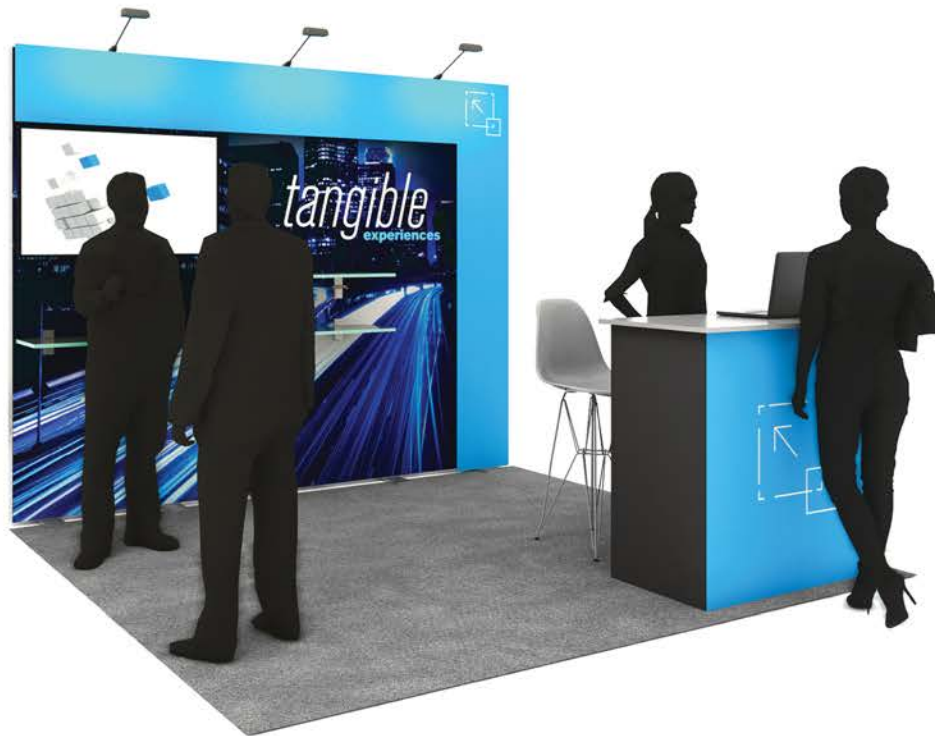
Price: \$7,895.00 plus production fees and applicable sales tax. (Estimated production fee for CSM = \$500. Orlando, FL Sales tax = 6.5%)

FREEMAN*

FREEMAN EXHIBIT COLLECTION

extend 9

10x10
INLINE BOOTH



Description:

This exhibit is perfect for the exhibitor that wants it all. In a small form factors, it features front counter for greeting, table-top for meeting, digital display for sharing, and shelving to showcase your product. All that's left is for you to juggle it all

Exhibit Features:

- A** 8'h Multidimensional backwall structure with mural fabric graphic, (3) 3'w x 1'd plexiglass shelves, (1) L shaped, offset graphic header panel
- B** (1) 46" mounted monitor
- C** (1) 40" w x 42" h x 20" d reception counter with interior storage and graphic panels
- D** (3) arm spot lights
- E** Choice of color of classic carpet and 1/2" padding

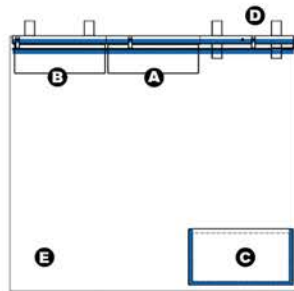
Included Services:

- Structure rental and installation / dismantle
- Graphic printing/installation (fabric graphics are reusable)
- Electrical service for arm lights and monitor
- Nightly vacuuming
- Material handling and local delivery of exhibit structure

Available Upgrades:

- Furniture/Accessories: various selections such as Zenith chairs and cafe table
- Flooring options: upgraded carpet, extra padding, vinyl/faux wood, flooring logos
- Electronics/AV: laptops, iPads, sound system, etc
- Additional electrical as needed

* Furniture, accessories and laptop not included in package



View 1: Floor Plan

■ Printed graphic panel



View 2: Left Side

■ Printed graphic panel ■ Floor / Carpet



View 3: Right Side

■ Printed graphic panel ■ Floor / Carpet

Price: \$10,795.00 plus production fees and applicable sales tax. (Estimated production fee for CSM = \$500. Orlando, FL Sales tax = 6.5%)

FREEMAN®

FREEMAN EXHIBIT COLLECTION

explore 1

10x10
INLINE BOOTH



* Furniture, accessories and laptop not included in package

Description:

This theater-style space with a large digital display makes your brand the star of the show. Excite attendees with dramatic visuals that bring your story to life.

Exhibit Features:

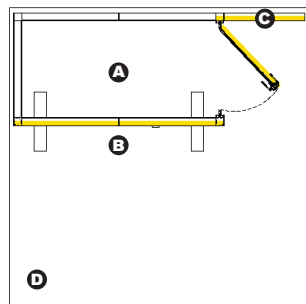
- A** 8'h x 3'd Modular backwall structure with front mural fabric graphic, locking door (with graphic) for 6'w x 4'd storage closet
- B** (1) 70" mounted monitor
- C** (1) arm spot lights to highlight graphic display
- D** Choice of color of classic carpet and 1/2" padding

Included Services:

- Structure rental and installation/dismantle
- Graphic printing/installation (fabric graphics are reusable)
- Electrical service for arm lights and monitor
- Nightly vacuuming
- Material handling and local delivery of exhibit structure

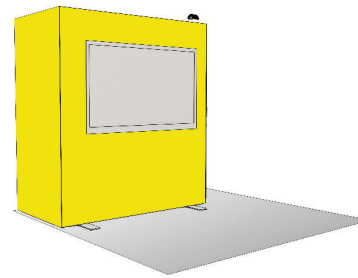
Available Upgrades:

- Furniture/Accessories: various selections are available
- Flooring options: upgraded carpet, extra padding, vinyl/faux wood, flooring logos
- Electronics/AV: laptops, iPads, sound system, etc
- Graphics: printed graphics on side panels, currently shown as white
- Additional electrical as needed



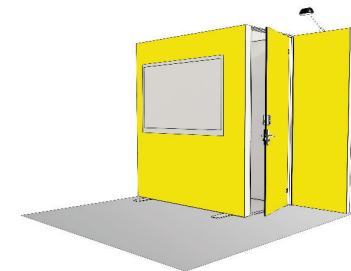
View 1: Floor Plan

■ Printed graphic panel



View 2: Left Side

■ Printed graphic panel ■ Floor / Carpet



View 3: Right Side

■ Printed graphic panel ■ Floor / Carpet

Price: \$12,495.00 plus production fees and applicable sales tax. (Estimated production fee for CSM = \$500. Orlando, FL Sales tax = 6.5%)

FREEMAN*

FREEMAN EXHIBIT COLLECTION



explore 2

10x10
INLINE BOOTH

Description:

If audience and digital interaction are top priorities, this booth has you covered. Carry on two sessions at once in this inviting and lively setting with multiple screens and counters.

Exhibit Features:

- A** 8'h Modular interior backwall structure with fabric graphics
- B** (2) 3'w x 4'd extended wall panels with fabric graphics and (2) 32" mounted monitors
- C** (2) 20" w x 42" h x 20" d pedestal with interior storage, locking door and graphic panels
- D** (3) arm spot lights
- E** Choice of color of classic carpet and 1/2" padding

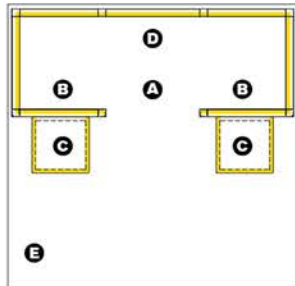
Included Services:

- Structure rental and installation / dismantle
- Graphic printing/installation (fabric graphics are reusable)
- Electrical service for arm lights and monitors
- Nightly vacuuming
- Material handling and local delivery of exhibit structure

Available Upgrades:

- Furniture/Accessories: various selections are available
- Flooring options: upgraded carpet, extra padding, vinyl/faux wood, flooring logos
- Graphics: printed graphics on side panels, currently shown as white
- Electronics/AV: laptops, iPads, sound system, etc.
- Additional electrical as needed

* Furniture, accessories and laptop not included in package



View 1: Floor Plan

■ Printed graphic panel



View 2: Left Side

■ Printed graphic panel ■ Floor / Carpet



View 3: Right Side

■ Printed graphic panel ■ Floor / Carpet